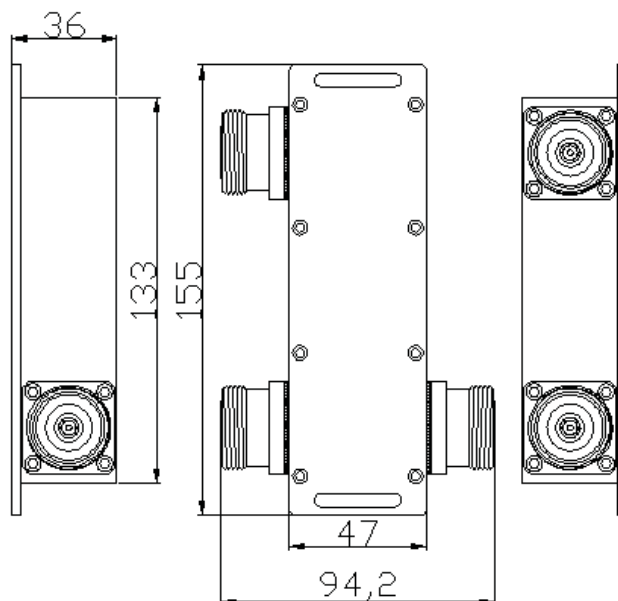


HC-4HL12-DF-CC

3.6 dB Hybrid Coupler | 698-3800 MHz | 1 in 2 out | 7/16-DIN Female

Electrical Characteristics	
Frequency Range	698-3800 MHz
Insertion Loss	≤ 3.6 dB
Isolation	≥ 25 dB
In-Band Ripple	± 0.5 dB
PIM3 (2x43dBm)	≤ -153 dBc
Return Loss	≥ 19 dB
Power Rating (Average Power)	≤ 400 W
Impedance	50Ω
Mechanical Characteristics	
Dimensions without connectors (Length x Width x Depth)	155 x 47 x 36 mm (6.1 x 3.7 x 1.4 in)
Weight	0.8 kg (1.8 lbs)
Color	Black
Connectors	7/16-DIN Female
Environmental Characteristics	
Operating Temperature	-40° C to +65° C (-40° F to +149° F)
Operating Humidity	Up to 100%
Operating Air Pressure	70-106 kPa



Quoted performance parameters are provided to offer typical, peak or range values only and may vary as a result of normal testing, manufacturing and operational conditions. Extreme operational conditions and/or stress on structural supports is beyond our control. Such conditions may result in damage to this product. Improvements to products may be made without notice.