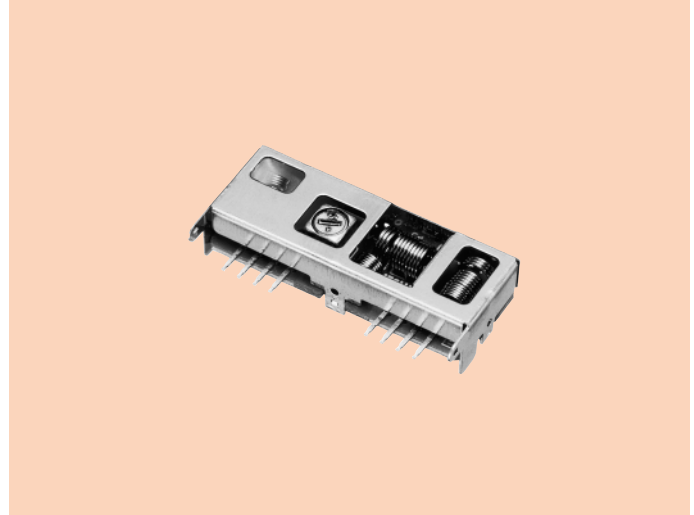


Super Compact, FM Electronic Tuner for Popular Class Home Stereo FE350-A01/J01

AM/FM Electronic Tuners

FEATURES

1. Ultra-small three gang (40% less volume than MITSUMI's regular model)FM electronic tuner.
2. Ideal for popular (small), home stereo systems.
3. Single gate MOS-FET used in high frequency amplification circuit.
4. Includes buffer circuit for local oscillator.
5. Supports various bands (normal overseas, North American, Japanese).



SPECIFICATIONS

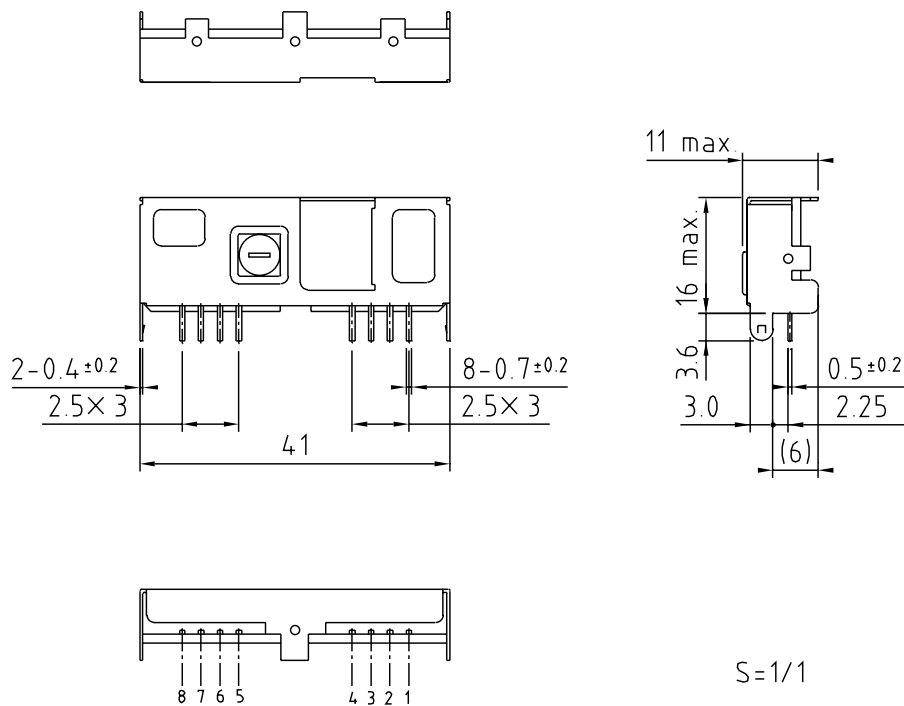
Item	FE350-A01/J01	
	A01	J01
Supply Voltage	7.0V	7.0V
Current Consumption	16±8mA	16±8mA
Tuning Range	87.5~108MHz	76~108MHz
Tuning Voltage	1.6~7.6V	1.4~8.4V
Input Impedance	75Ω unbalanced, 300Ω balanced	75Ω unbalanced, 300Ω balanced
Output Impedance	300Ω unbalanced	300Ω unbalanced
Center IF	10.7MHz	10.7MHz
IF Output Bandwidth at -3dB	400±150kHz	400±150kHz
Power Gain	30±6dB	29±6dB
Gain Variation	6dB max. (3dB typ.)	6dB max. (3dB typ.)
Noise Figure	9dB max. (6dB typ.)	14dB max. (10dB typ.)
Image Rejection	38dB min. (43dB typ.)	35dB min. (42dB typ.)
IF Rejection	65dB min. (75dB typ.)	65dB min. (75dB typ.)
OSC Output Voltage*1	100mV/rms min. (140mV/rms typ.)	100mV/rms min. (140mV/rms typ.)
Freq. Drift vs. Ambient Temp.*2	±500kHz max.	±500kHz max.

*Note Specifications subject to change without notice.

*1 Condition 1 : 75Ω load on OSC OUT terminal.

*2 Condition 2 : +25 ±30°C

DIMENSIONS



S=1/1

EXTERNAL TERMINALS
1. ANT
2. ANT
3. GND
4. GND
5. Vt
6. +B
7. IF OUT
8. OSC OUT

Unit : mm
General Tolerance : ± 0.5