

NC SERIES

(1.27mm pitch) below type contacts

IDC Type Plugs

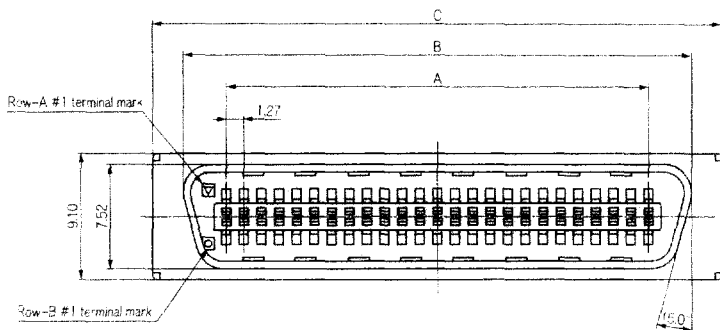
ORDERING CODE

NCP050-030-BS

Type of terminal plating S = Solder
Type of contact plating B = Gold
Connection type 0 = IDC type
1 : IDC for flat cables
3 : IDC for discrete wires
No. of leads
NC series plugs

Part No.	No. of pins	A	B	C
NCP020-010-BS	20	11.43	17.6	22.0
NCP026-010-BS	26	15.24	21.4	25.8
NCP036-0+0-BS	36	21.59	27.8	32.2
NCP050-0+0-BS	50	30.48	36.6	41.1
NCP068-0+0-BS	68	41.91	48.1	52.5

Unit: mm



●Detail of Contact

