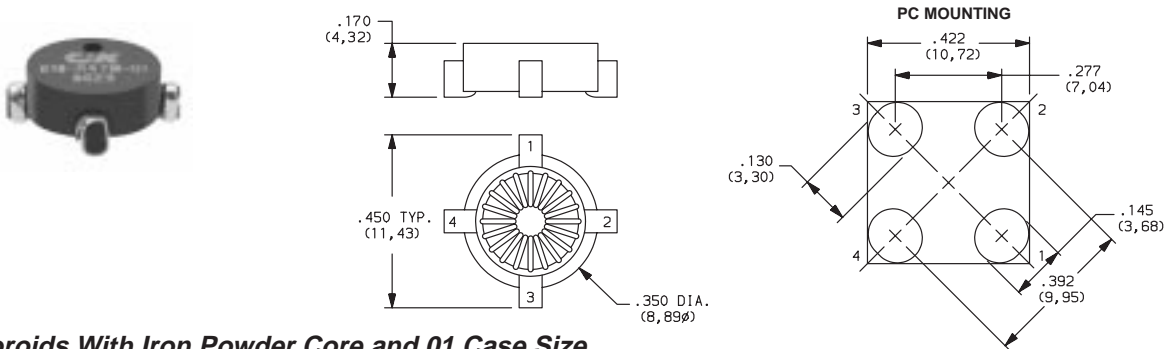


Features

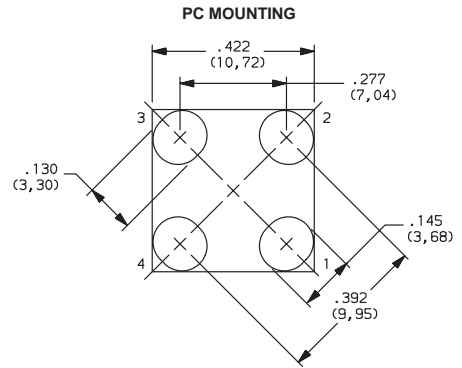
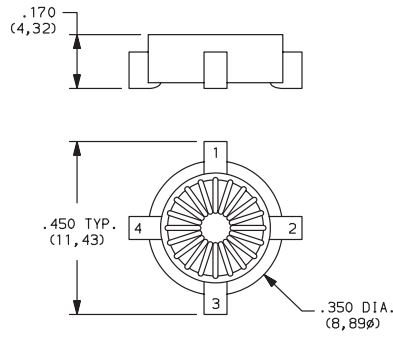
- 518 Series utilizes iron powder core—ideal for frequency applications up to 100 kHz
- 618 Series utilizes Kool Mu[®] core—minimizes core losses and heat generation at higher frequencies of 100 to 250 kHz
- Four low profile case sizes—.170"-.255" high
- Tape and reel packaging
- Standard or custom designs

Kool Mu[®] is a registered trademark of Magnetics Inc., Butler, PA.



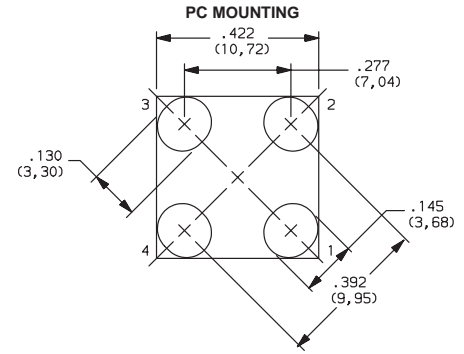
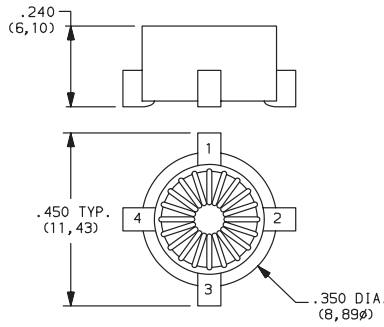
518 Series Toroids With Iron Powder Core and 01 Case Size

MODEL NUMBER	PARALLEL				SERIES				CIRCUIT DIAGRAM
	OPEN CIRCUIT INDUCTANCE ± 20%	MINIMUM FULL LOAD INDUCTANCE	FULL LOAD CURRENT Adc	MAXIMUM DC RESISTANCE	OPEN CIRCUIT INDUCTANCE ± 20%	MINIMUM FULL LOAD INDUCTANCE	FULL LOAD CURRENT Adc	MAXIMUM DC RESISTANCE	
518-R47M-01	0.42 μH	0.35 μH	5.50	0.006 Ω	1.68 μH	1.40 μH	2.75	0.024 Ω	
518-R68M-01	0.56 μH	0.47 μH	5.10	0.007 Ω	2.27 μH	1.80 μH	2.55	0.026 Ω	
518-1R0M-01	1.16 μH	0.73 μH	4.50	0.008 Ω	4.46 μH	2.92 μH	2.25	0.032 Ω	
518-2R0M-01	2.61 μH	1.59 μH	3.40	0.014 Ω	10.44 μH	5.30 μH	1.70	0.055 Ω	
518-5R0M-01	5.11 μH	3.36 μH	2.00	0.040 Ω	20.46 μH	13.44 μH	1.00	0.160 Ω	
518-8R0M-01	8.45 μH	5.30 μH	1.80	0.053 Ω	33.82 μH	21.20 μH	0.90	0.210 Ω	
518-100M-01	9.75 μH	6.22 μH	1.70	0.056 Ω	39.00 μH	24.88 μH	0.85	0.224 Ω	
518-150M-01	15.80 μH	9.60 μH	1.40	0.088 Ω	63.52 μH	38.40 μH	0.70	0.350 Ω	
518-200M-01	21.44 μH	14.10 μH	1.00	0.160 Ω	83.57 μH	56.40 μH	0.50	0.640 Ω	
518-250M-01	26.72 μH	17.10 μH	0.96	0.175 Ω	106.90 μH	68.40 μH	0.48	0.700 Ω	
518-330M-01	33.82 μH	22.30 μH	0.83	0.252 Ω	135.30 μH	89.18 μH	0.40	1.008 Ω	
518-500M-01	52.07 μH	33.60 μH	0.70	0.315 Ω	208.28 μH	134.40 μH	0.35	1.280 Ω	
518-680M-01	68.77 μH	43.60 μH	0.66	0.375 Ω	275.10 μH	174.40 μH	0.33	1.500 Ω	
518-101M-01	100.32 μH	63.70 μH	0.54	0.558 Ω	401.31 μH	254.75 μH	0.27	2.232 Ω	
518-151M-01	153.41 μH	96.70 μH	0.44	0.845 Ω	613.64 μH	386.78 μH	0.22	3.380 Ω	
518-201M-01	205.19 μH	130.90 μH	0.36	1.210 Ω	820.76 μH	523.60 μH	0.18	4.840 Ω	
518-301M-01	308.20 μH	190.10 μH	0.32	1.530 Ω	1232.80 μH	760.40 μH	0.16	6.120 Ω	



618 Series Toroids With Kool Mu[®] Core and 01 Case Size

MODEL NUMBER	PARALLEL				SERIES				CIRCUIT DIAGRAM
	OPEN CIRCUIT INDUCTANCE ± 20%	MINIMUM FULL LOAD INDUCTANCE	FULL LOAD CURRENT Adc	MAXIMUM DC RESISTANCE	OPEN CIRCUIT INDUCTANCE ± 20%	MINIMUM FULL LOAD INDUCTANCE	FULL LOAD CURRENT Adc	MAXIMUM DC RESISTANCE	
618-R47M-01	0.40 H	0.26 H	5.50	0.005 μ	1.60 H	1.06 H	2.75	0.019 μ	
618-R68M-01	0.63 H	0.40 H	4.50	0.006 μ	2.50 H	1.60 H	2.25	0.024 μ	
618-1R0M-01	0.90 H	0.57 H	4.20	0.007 μ	3.60 H	2.24 H	2.10	0.028 μ	
618-2R0M-01	2.00 H	1.00 H	4.10	0.011 μ	8.00 H	4.00 H	2.05	0.042 μ	
618-5R0M-01	4.90 H	2.65 H	2.30	0.030 μ	19.60 H	10.60 H	1.15	0.120 μ	
618-8R0M-01	8.10 H	4.10 H	2.00	0.040 μ	32.40 H	16.40 H	1.00	0.160 μ	
618-100M-01	10.00 H	4.85 H	1.90	0.045 μ	40.00 H	19.39 H	0.95	0.178 μ	
618-150M-01	15.63 H	9.40 H	1.10	0.082 μ	62.52 H	37.60 H	0.55	0.322 μ	
618-200M-01	19.60 H	11.52 H	1.00	0.145 μ	78.40 H	46.08 H	0.50	0.580 μ	
618-250M-01	25.60 H	16.35 H	0.74	0.165 μ	102.40 H	65.40 H	0.37	0.660 μ	
618-330M-01	32.40 H	19.85 H	0.72	0.292 μ	129.60 H	79.40 H	0.36	1.168 μ	
618-500M-01	50.63 H	29.35 H	0.64	0.365 μ	202.52 H	117.36 H	0.32	1.460 μ	
618-680M-01	67.60 H	39.72 H	0.54	0.515 μ	270.40 H	158.87 H	0.27	2.060 μ	
618-101M-01	99.23 H	58.70 H	0.44	0.782 μ	396.92 H	234.80 H	0.22	3.128 μ	
618-151M-01	152.10 H	87.30 H	0.38	0.965 μ	608.40 H	349.20 H	0.19	3.860 μ	
618-201M-01	202.50 H	107.65 H	0.37	1.140 μ	810.00 H	430.60 H	0.19	4.560 μ	
618-301M-01	302.50 H	191.40 H	0.22	1.430 μ	1210.00 H	765.60 H	0.11	5.720 μ	

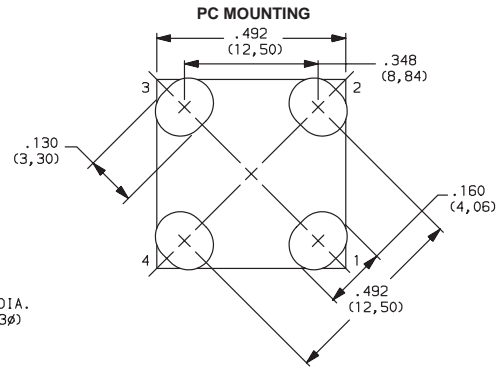
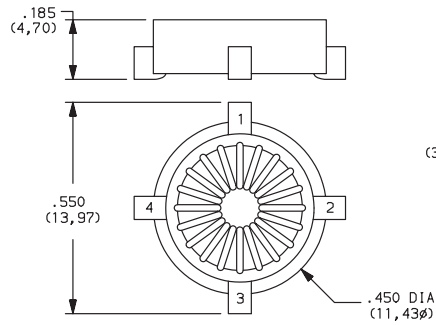


518 Series Toroids With Iron Powder Core and 02 Case Size

MODEL NUMBER	PARALLEL				SERIES				CIRCUIT DIAGRAM
	OPEN CIRCUIT INDUCTANCE ± 20%	MINIMUM FULL LOAD INDUCTANCE	FULL LOAD CURRENT Adc	MAXIMUM DC RESISTANCE	OPEN CIRCUIT INDUCTANCE ± 20%	MINIMUM FULL LOAD INDUCTANCE	FULL LOAD CURRENT Adc	MAXIMUM DC RESISTANCE	
518-R47M-02	0.57 μH	0.43 μH	5.90	0.006 Ω	2.26 μH	1.70 μH	2.95	0.024 Ω	
518-R68M-02	0.83 μH	0.63 μH	5.40	0.008 Ω	3.34 μH	2.52 μH	2.70	0.030 Ω	
518-1R0M-02	1.13 μH	0.85 μH	5.00	0.009 Ω	4.52 μH	3.40 μH	2.50	0.035 Ω	
518-2R0M-02	2.30 μH	1.60 μH	3.90	0.013 Ω	9.18 μH	6.38 μH	1.95	0.055 Ω	
518-5R0M-02	5.18 μH	3.75 μH	2.50	0.030 Ω	20.72 μH	14.80 μH	1.25	0.126 Ω	
518-8R0M-02	8.30 μH	5.70 μH	2.30	0.040 Ω	33.20 μH	22.60 μH	1.15	0.160 Ω	
518-100M-02	10.14 μH	6.90 μH	2.10	0.046 Ω	40.55 μH	27.50 μH	1.05	0.181 Ω	
518-150M-02	15.50 μH	10.80 μH	1.60	0.082 Ω	62.00 μH	43.20 μH	0.80	0.330 Ω	
518-200M-02	20.70 μH	13.45 μH	1.50	0.095 Ω	82.60 μH	53.60 μH	0.75	0.380 Ω	
518-250M-02	25.05 μH	16.70 μH	1.40	0.108 Ω	100.20 μH	66.70 μH	0.70	0.434 Ω	
518-330M-02	33.21 μH	21.50 μH	1.30	0.125 Ω	132.80 μH	85.80 μH	0.65	0.500 Ω	
518-500M-02	50.81 μH	36.40 μH	0.82	0.305 Ω	203.25 μH	145.50 μH	0.41	1.220 Ω	
518-680M-02	67.07 μH	46.70 μH	0.76	0.362 Ω	268.28 μH	186.70 μH	0.38	1.448 Ω	
518-101M-02	100.18 μH	70.00 μH	0.62	0.540 Ω	400.72 μH	280.00 μH	0.31	2.160 Ω	
518-151M-02	150.90 μH	101.80 μH	0.56	0.666 Ω	603.60 μH	407.00 μH	0.28	2.660 Ω	
518-201M-02	203.20 μH	139.00 μH	0.46	0.950 Ω	812.80 μH	555.50 μH	0.23	3.800 Ω	
518-301M-02	304.17 μH	199.70 μH	0.42	1.175 Ω	1216.65 μH	798.50 μH	0.21	4.702 Ω	

618 Series Toroids With Kool Mu® Core and 02 Case Size

MODEL NUMBER	PARALLEL				SERIES				CIRCUIT DIAGRAM
	OPEN CIRCUIT INDUCTANCE ± 20%	MINIMUM FULL LOAD INDUCTANCE	FULL LOAD CURRENT Adc	MAXIMUM DC RESISTANCE	OPEN CIRCUIT INDUCTANCE ± 20%	MINIMUM FULL LOAD INDUCTANCE	FULL LOAD CURRENT Adc	MAXIMUM DC RESISTANCE	
618-R47M-02	0.45 μH	0.30 μH	6.50	0.005 Ω	1.80 μH	1.18 μH	3.25	0.019 Ω	
618-R68M-02	0.80 μH	0.52 μH	5.50	0.006 Ω	3.20 μH	2.07 μH	2.75	0.024 Ω	
618-1R0M-02	1.25 μH	0.80 μH	4.60	0.008 Ω	5.00 μH	3.10 μH	2.30	0.030 Ω	
618-2R0M-02	2.45 μH	1.30 μH	4.50	0.010 Ω	9.80 μH	5.20 μH	2.25	0.038 Ω	
618-5R0M-02	5.00 μH	2.80 μH	3.00	0.021 Ω	20.00 μH	11.20 μH	1.50	0.084 Ω	
618-8R0M-02	8.45 μH	4.40 μH	2.60	0.027 Ω	33.80 μH	17.60 μH	1.30	0.107 Ω	
618-100M-02	9.80 μH	4.90 μH	2.50	0.030 Ω	39.20 μH	19.60 μH	1.25	0.120 Ω	
618-150M-02	14.45 μH	8.10 μH	1.70	0.058 Ω	57.80 μH	32.40 μH	0.85	0.238 Ω	
618-200M-02	20.00 μH	11.94 μH	1.30	0.106 Ω	80.00 μH	47.80 μH	0.65	0.424 Ω	
618-250M-02	24.20 μH	15.65 μH	1.00	0.116 Ω	96.80 μH	62.60 μH	0.50	0.464 Ω	
618-330M-02	31.25 μH	14.84 μH	1.40	0.107 Ω	125.00 μH	59.36 μH	0.70	0.428 Ω	
618-500M-02	51.20 μH	28.80 μH	0.92	0.212 Ω	204.80 μH	115.20 μH	0.46	0.848 Ω	
618-680M-02	68.45 μH	39.00 μH	0.78	0.302 Ω	273.80 μH	156.00 μH	0.39	1.208 Ω	
618-101M-02	101.25 μH	58.40 μH	0.63	0.460 Ω	405.00 μH	233.60 μH	0.32	1.840 Ω	
618-151M-02	151.25 μH	95.90 μH	0.43	0.560 Ω	605.00 μH	383.60 μH	0.22	2.240 Ω	
618-201M-02	198.45 μH	122.85 μH	0.39	0.795 Ω	793.80 μH	491.40 μH	0.20	3.180 Ω	
618-301M-02	304.20 μH	170.90 μH	0.38	1.225 Ω	1216.80 μH	683.60 μH	0.19	4.900 Ω	

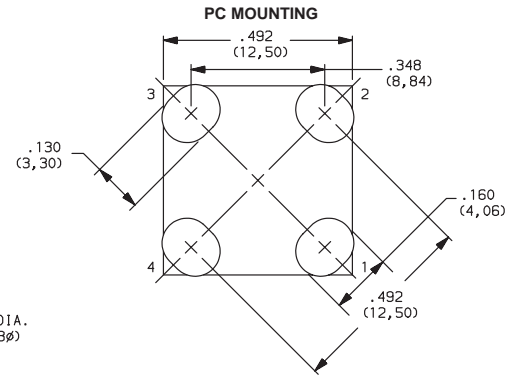
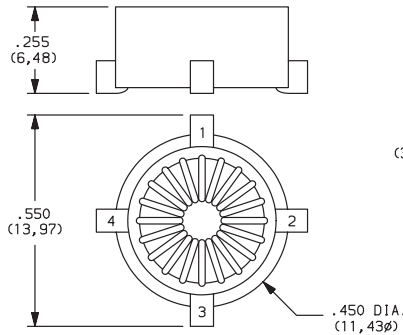


518 Series Toroids With Iron Powder Core and 03 Case Size

MODEL NUMBER	PARALLEL				SERIES				CIRCUIT DIAGRAM
	OPEN CIRCUIT INDUCTANCE ± 20%	MINIMUM FULL LOAD INDUCTANCE	FULL LOAD CURRENT Adc	MAXIMUM DC RESISTANCE	OPEN CIRCUIT INDUCTANCE ± 20%	MINIMUM FULL LOAD INDUCTANCE	FULL LOAD CURRENT Adc	MAXIMUM DC RESISTANCE	
518-R47M-03	0.54 μH	0.37 μH	6.20	0.007 Ω	2.19 μH	1.48 μH	3.10	0.024 Ω	
518-R68M-03	0.71 μH	0.49 μH	5.70	0.008 Ω	2.86 μH	1.98 μH	2.85	0.028 Ω	
518-1R0M-03	1.12 μH	0.71 μH	5.40	0.009 Ω	4.48 μH	2.85 μH	2.70	0.034 Ω	
518-2R0M-03	1.89 μH	1.23 μH	4.60	0.012 Ω	7.57 μH	4.92 μH	2.30	0.044 Ω	
518-5R0M-03	5.42 μH	3.18 μH	3.20	0.023 Ω	21.60 μH	12.70 μH	1.60	0.090 Ω	
518-8R0M-03	8.70 μH	4.90 μH	2.80	0.031 Ω	34.80 μH	19.60 μH	1.40	0.120 Ω	
518-100M-03	10.76 μH	5.80 μH	2.70	0.033 Ω	43.00 μH	23.20 μH	1.35	0.132 Ω	
518-150M-03	16.17 μH	8.72 μH	2.20	0.050 Ω	64.68 μH	34.80 μH	1.10	0.198 Ω	
518-200M-03	20.70 μH	13.24 μH	1.50	0.111 Ω	82.80 μH	52.95 μH	0.75	0.442 Ω	
518-250M-03	26.82 μH	16.10 μH	1.40	0.125 Ω	107.50 μH	64.60 μH	0.70	0.498 Ω	
518-330M-03	35.12 μH	20.30 μH	1.30	0.143 Ω	140.49 μH	81.22 μH	0.65	0.570 Ω	
518-500M-03	51.78 μH	33.10 μH	0.92	0.277 Ω	207.10 μH	132.40 μH	0.46	1.108 Ω	
518-680M-03	73.48 μH	44.08 μH	0.84	0.328 Ω	293.93 μH	176.32 μH	0.42	1.314 Ω	
518-101M-03	109.77 μH	65.86 μH	0.68	0.502 Ω	439.08 μH	263.45 μH	0.32	2.005 Ω	
518-151M-03	158.60 μH	90.88 μH	0.64	0.624 Ω	634.40 μH	363.52 μH	0.32	2.486 Ω	
518-201M-03	216.39 μH	116.80 μH	0.60	0.735 Ω	865.50 μH	467.20 μH	0.30	2.930 Ω	
518-301M-03	319.80 μH	172.70 μH	0.50	1.200 Ω	1276.00 μH	690.80 μH	0.25	4.850 Ω	

618 Series Toroids With Kool Mu® Core and 03 Case Size

MODEL NUMBER	PARALLEL				SERIES				CIRCUIT DIAGRAM
	OPEN CIRCUIT INDUCTANCE ± 20%	MINIMUM FULL LOAD INDUCTANCE	FULL LOAD CURRENT Adc	MAXIMUM DC RESISTANCE	OPEN CIRCUIT INDUCTANCE ± 20%	MINIMUM FULL LOAD INDUCTANCE	FULL LOAD CURRENT Adc	MAXIMUM DC RESISTANCE	
618-R47M-03	0.40 μH	0.28 μH	6.00	0.006 Ω	1.60 μH	1.12 μH	3.00	0.021 Ω	
618-R68M-03	0.63 μH	0.43 μH	5.00	0.006 Ω	2.50 μH	1.72 μH	2.50	0.024 Ω	
618-1R0M-03	0.90 μH	0.58 μH	4.80	0.007 Ω	3.60 μH	2.32 μH	2.40	0.028 Ω	
618-2R0M-03	2.00 μH	1.08 μH	4.70	0.010 Ω	8.00 μH	4.32 μH	2.35	0.040 Ω	
618-5R0M-03	4.90 μH	2.60 μH	3.00	0.020 Ω	19.60 μH	10.40 μH	1.50	0.078 Ω	
618-8R0M-03	8.10 μH	3.89 μH	2.80	0.025 Ω	32.40 μH	15.55 μH	1.40	0.100 Ω	
618-100M-03	10.00 μH	4.55 μH	2.70	0.029 Ω	40.00 μH	18.20 μH	1.35	0.114 Ω	
618-150M-03	15.63 μH	7.50 μH	2.00	0.043 Ω	62.50 μH	30.00 μH	1.00	0.172 Ω	
618-200M-03	19.60 μH	10.45 μH	1.50	0.077 Ω	78.40 μH	41.80 μH	0.75	0.310 Ω	
618-250M-03	25.60 μH	16.28 μH	0.98	0.086 Ω	102.40 μH	65.12 μH	0.49	0.344 Ω	
618-330M-03	32.40 μH	19.41 μH	0.96	0.083 Ω	129.60 μH	77.64 μH	0.48	0.332 Ω	
618-500M-03	50.63 μH	27.09 μH	0.94	0.241 Ω	202.52 μH	108.36 μH	0.47	0.960 Ω	
618-680M-03	67.60 μH	36.62 μH	0.80	0.275 Ω	270.40 μH	146.48 μH	0.40	1.100 Ω	
618-101M-03	99.23 μH	51.36 μH	0.70	0.348 Ω	396.92 μH	205.44 μH	0.35	1.392 Ω	
618-151M-03	152.10 μH	98.66 μH	0.38	0.430 Ω	608.40 μH	394.64 μH	0.19	1.720 Ω	
618-201M-03	202.50 μH	121.43 μH	0.39	0.620 Ω	810.00 μH	485.70 μH	0.20	2.480 Ω	
618-301M-03	302.50 μH	158.19 μH	0.40	0.950 Ω	1210.00 μH	632.70 μH	0.20	3.800 Ω	



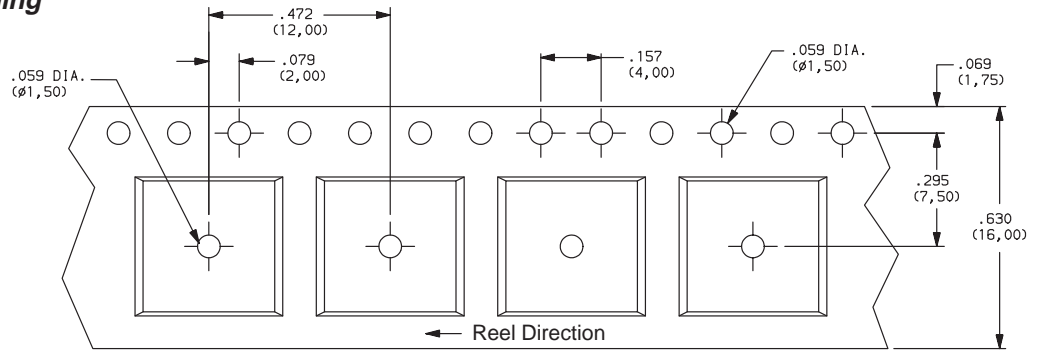
518 Series Toroids With Iron Powder Core and 04 Case Size

PART NUMBER	PARALLEL				SERIES				CIRCUIT DIAGRAM
	OPEN CIRCUIT INDUCTANCE ± 20%	MINIMUM FULL LOAD INDUCTANCE	FULL LOAD CURRENT Adc	MAXIMUM DC RESISTANCE	OPEN CIRCUIT INDUCTANCE ± 20%	MINIMUM FULL LOAD INDUCTANCE	FULL LOAD CURRENT Adc	MAXIMUM DC RESISTANCE	
518-R47M-04	0.49 µH	0.38 µH	7.90	0.005 Ω	1.96 µH	1.50 µH	3.95	0.019 Ω	PARALLEL
518-R68M-04	0.76 µH	0.56 µH	7.20	0.006 Ω	3.04 µH	2.24 µH	3.60	0.024 Ω	
518-1R0M-04	1.09 µH	0.82 µH	5.90	0.009 Ω	4.36 µH	3.26 µH	3.00	0.035 Ω	
518-2R0M-04	1.95 µH	1.42 µH	4.60	0.015 Ω	7.80 µH	5.68 µH	2.30	0.056 Ω	SERIES
518-5R0M-04	5.15 µH	3.55 µH	3.30	0.028 Ω	20.60 µH	14.20 µH	1.65	0.110 Ω	
518-8R0M-04	7.81 µH	5.15 µH	3.00	0.032 Ω	31.22 µH	20.60 µH	1.50	0.128 Ω	
518-100M-04	9.88 µH	6.68 µH	2.50	0.045 Ω	39.52 µH	26.72 µH	1.25	0.180 Ω	TRANSFORMER
518-150M-04	14.76 µH	9.50 µH	2.30	0.055 Ω	59.04 µH	38.00 µH	1.15	0.225 Ω	
518-200M-04	20.62 µH	13.45 µH	1.90	0.085 Ω	82.48 µH	53.80 µH	0.95	0.338 Ω	
518-250M-04	25.65 µH	17.18 µH	1.60	0.115 Ω	102.60 µH	68.72 µH	0.80	0.460 Ω	TRANSFORMER
518-330M-04	33.21 µH	22.92 µH	1.30	0.165 Ω	132.84 µH	91.68 µH	0.65	0.660 Ω	
518-500M-04	48.80 µH	32.20 µH	1.20	0.200 Ω	195.20 µH	128.80 µH	0.60	0.802 Ω	
518-680M-04	67.37 µH	43.05 µH	1.10	0.235 Ω	269.48 µH	172.18 µH	0.55	0.950 Ω	TRANSFORMER
518-101M-04	99.09 µH	69.55 µH	0.72	0.567 Ω	396.36 µH	278.20 µH	0.36	2.261 Ω	
518-151M-04	149.45 µH	101.46 µH	0.64	0.695 Ω	597.80 µH	405.80 µH	0.32	2.785 Ω	
518-201M-04	200.11 µH	131.36 µH	0.60	0.810 Ω	800.45 µH	525.45 µH	0.30	3.240 Ω	TRANSFORMER
518-301M-04	298.93 µH	188.05 µH	0.54	1.005 Ω	1195.70 µH	752.15 µH	0.27	4.020 Ω	

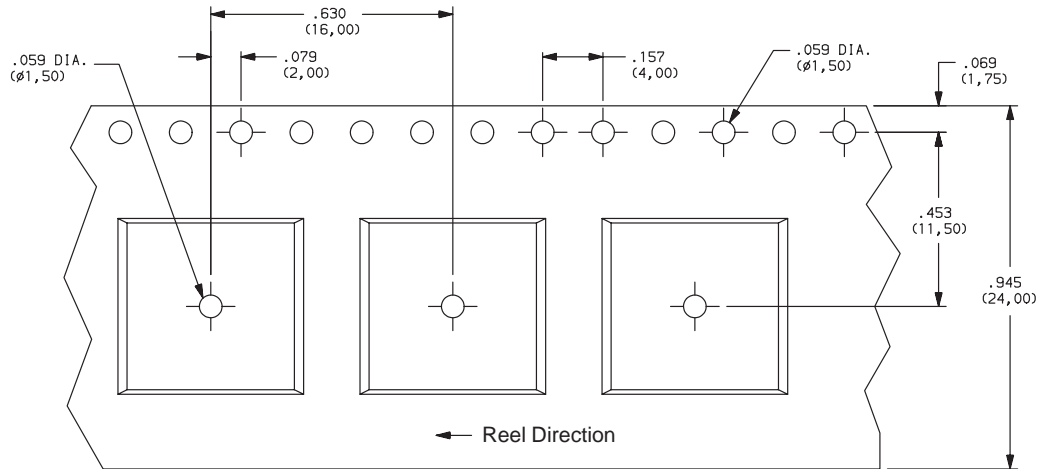
618 Series Toroids With Kool Mu® Core and 04 Case Size

PART NUMBER	PARALLEL				SERIES				CIRCUIT DIAGRAM
	OPEN CIRCUIT INDUCTANCE ± 20%	MINIMUM FULL LOAD INDUCTANCE	FULL LOAD CURRENT Adc	MAXIMUM DC RESISTANCE	OPEN CIRCUIT INDUCTANCE ± 20%	MINIMUM FULL LOAD INDUCTANCE	FULL LOAD CURRENT Adc	MAXIMUM DC RESISTANCE	
618-R47M-04	0.46 µH	0.33 µH	7.00	0.003 Ω	1.84 µH	1.32 µH	3.50	0.012 Ω	PARALLEL
618-R68M-04	0.83 µH	0.58 µH	6.00	0.004 Ω	3.32 µH	2.32 µH	3.00	0.018 Ω	
618-1R0M-04	1.30 µH	0.89 µH	5.00	0.005 Ω	5.20 µH	3.56 µH	2.50	0.020 Ω	
618-2R0M-04	1.87 µH	1.13 µH	5.90	0.006 Ω	7.48 µH	4.52 µH	2.92	0.025 Ω	SERIES
618-5R0M-04	5.20 µH	2.70 µH	4.40	0.013 Ω	20.80 µH	10.80 µH	2.20	0.052 Ω	
618-8R0M-04	7.48 µH	3.89 µH	3.50	0.017 Ω	29.92 µH	15.56 µH	1.75	0.070 Ω	
618-100M-04	10.19 µH	5.11 µH	3.40	0.020 Ω	40.76 µH	20.40 µH	1.70	0.080 Ω	TRANSFORMER
618-150M-04	15.02 µH	7.00 µH	3.00	0.024 Ω	60.08 µH	28.00 µH	1.50	0.096 Ω	
618-200M-04	20.80 µH	11.00 µH	2.10	0.055 Ω	83.20 µH	44.00 µH	1.05	0.220 Ω	
618-250M-04	25.16 µH	13.00 µH	2.00	0.064 Ω	100.64 µH	52.00 µH	1.00	0.254 Ω	TRANSFORMER
618-330M-04	32.50 µH	16.51 µH	1.80	0.070 Ω	130.00 µH	66.04 µH	0.90	0.272 Ω	
618-500M-04	49.97 µH	25.00 µH	1.50	0.110 Ω	199.88 µH	100.00 µH	0.75	0.440 Ω	
618-680M-04	67.30 µH	35.40 µH	1.20	0.156 Ω	269.20 µH	141.60 µH	0.60	0.624 Ω	TRANSFORMER
618-101M-04	100.60 µH	55.31 µH	0.92	0.294 Ω	402.40 µH	221.24 µH	0.46	1.173 Ω	
618-151M-04	148.80 µH	77.40 µH	0.82	0.373 Ω	595.20 µH	309.60 µH	0.41	1.492 Ω	
618-201M-04	199.80 µH	110.58 µH	0.64	0.550 Ω	799.20 µH	442.30 µH	0.32	2.175 Ω	TRANSFORMER
618-301M-04	300.30 µH	149.00 µH	0.62	0.672 Ω	1201.20 µH	596.00 µH	0.31	2.688 Ω	

Tape and Reel Packaging



01 CASE SIZE: 1100 toroids per reel.



**02 & 03 CASE SIZE: 800 toroids per reel.
04 CASE SIZE: 600 toroids per reel.**

Performance Graphs

NOTE: All of our surface mount toroids are manufactured to exacting specifications and meet UL Class B 130°C requirements.

Both series are suitable for IR reflow vapor phase and solder wave.

