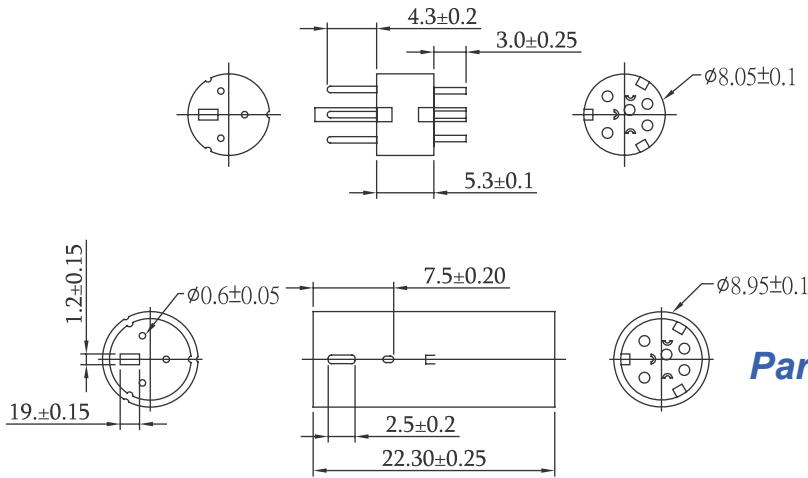




MINI DIN PLUG MOLDED TYPE 3~8PIN LONG SHELL

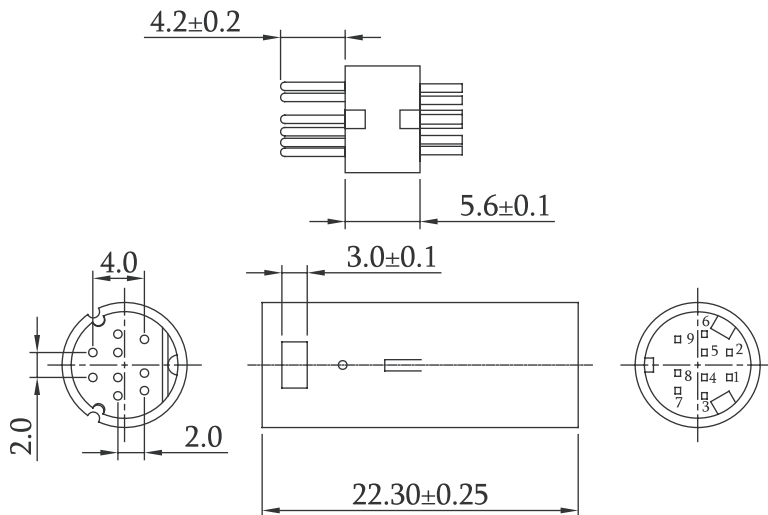


Part No.: MDML-M **B-L**
 3~8 PORTS
 S: Selective
 T: Tin Plated

NO.OF CONTACT	3	4	5	6	7	8
POSITION						

No.	Name	Qty	Material	Remarks & Thickness	Finish
1	Contact	3~8	Copper Alloy	T=0.60mm	Selective / Tin
2	Housing	1	P.B.T	UL 94-V0	Black
3	Shell	1	Copper Alloy	T=0.40mm	Nickel Plated

MINI DIN PLUG MOLDED TYPE 9PIN LONG SHELL



No.	Name	Qty	Material	Remarks & Thickness	Finish
1	Contact	9	Copper Alloy	T=0.60mm	Selective / Tin
2	Housing	1	P.B.T	UL 94-V0	Black
3	Shell	1	Copper Alloy	T=0.40mm	Nickel Plated

Part No.: MDML-M09 **B-L**
 S: Selective
 T: Tin Plated