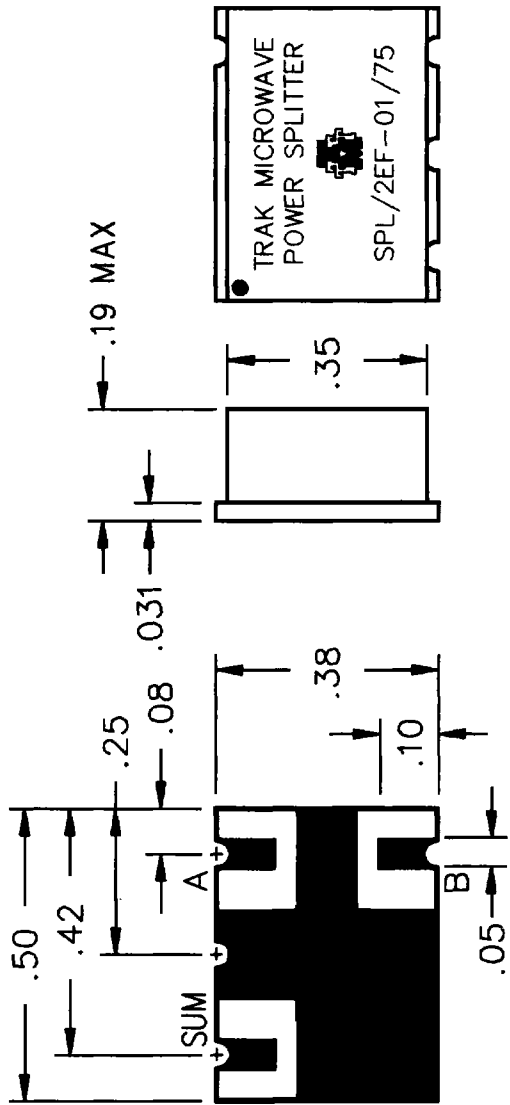
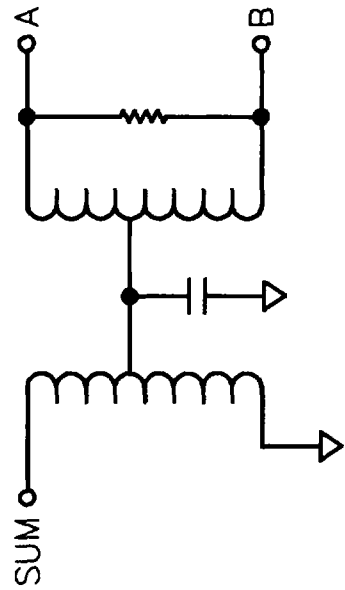


POWER SPLITTER



SPECIFICATIONS:

- FREQUENCY : 500-2000 MHz
- LOSS : 0.8 dB TYP, 2.0 dB MAX
- VSWR : 1.5:1 MAX
- AMP BALANCE : ± 0.1 dB TYP, ± 0.3 dB MAX
- PHASE BALANCE : $\pm 1^\circ$ TYP, $\pm 3^\circ$ MAX
- ISOLATION : 20 dB TYP, 14 dB MIN
- POWER : 1 WATT NOMINAL
- IMPEDANCE : 75 OHMS NOMINAL



SCHEMATIC DIAGRAM

- | | |
|-------------------------------------|----------|
| <input checked="" type="checkbox"/> | STANDARD |
| <input type="checkbox"/> | SPECIAL |
-
- | | |
|-----------------|---------------------|
| <u>MATERIAL</u> | |
| ◦ | BASE : FR-4 |
| ◦ | COVER : VECTRA |
| ◦ | MARKING : LASER |
| ◦ | FINISH : SOLDER TIN |

TRAK MICROWAVE
 4726 Eisenhower Boulevard
 Tampa, Florida 33634
 (813)884-1411, FAX (813)886-2794

MODEL NO. SPL/2EF-01/75 SHT OF 1 DATE 5/94