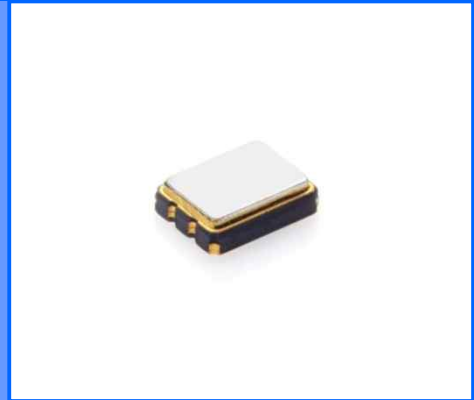


CERAMIC SMD TYPE SCO-32

- External Dimensions : 3.2 × 2.5 mm
- 0.9 V to 5.0 V Operating Supply Voltage Range
- High Stability with AT-Cut crystal
- CMOS Output
- Tri-state Function Available



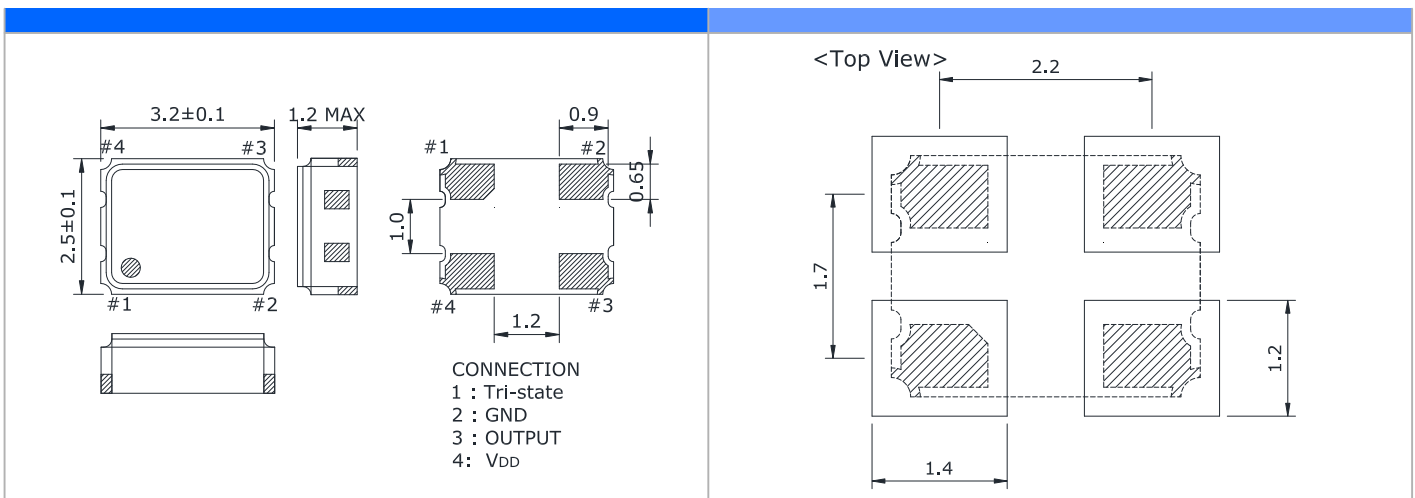
■ ELECTRICAL SPECIFICATIONS

ITEM	Value	Remarks
Output Logic Type	CMOS	CMOS XO
Frequency Range*	1.000 ~ 50 MHz (0.9 V _{DC} ~ 1.5 V _{DC}) 1.000 ~ 60 MHz (1.8 V _{DC} ~ 5.0 V _{DC})	
Supply Voltage(V _{DD})	0.9, 1.2, 1.5, 1.8, 2.5, 3.3 & 5.0 V _{DC} ±5 %	
Operating Temperature Range	0 to +70 °C, -20 to +70 °C, -40 to +85 °C	
Storage Temperature Range	-55 to +125 °C	
Frequency Stability	±20 ppm, ±25 ppm, ±50 ppm, ±100 ppm Max.	Over operating temperature range
Input Current	10(0.9~1.8V _{DC}), 15(2.5V _{DC}), 25(3.3V _{DC} , 5.0V _{DC})	mA Max.
Output Voltage Logic High(V _{OH})	90 % of V _{DD} Min.	
Output Voltage Logic Low(V _{OL})	10 % of V _{DD} Max.	
Rise / Fall Time	10 ns Max.	Measured over 10 % to 90 % of waveform
Duty Cycle	45 to 55 %, 40 to 60 %	Measured at 50 % of waveform
Start-up Time	10 ms Max.	
Output Load Condition(CMOS)	15 pF Max.	
Output Enable Function (V _{IH} and V _{IL})	70 % of V _{DD} Min. to Enable Output 30 % of V _{DD} Max. to Disable Output	High Impedance
RMS Phase Jitter	1 ps Max.	BW : 12 kHz to 20 MHz
Frequency Aging	±3 ppm Max.	25°C, First year

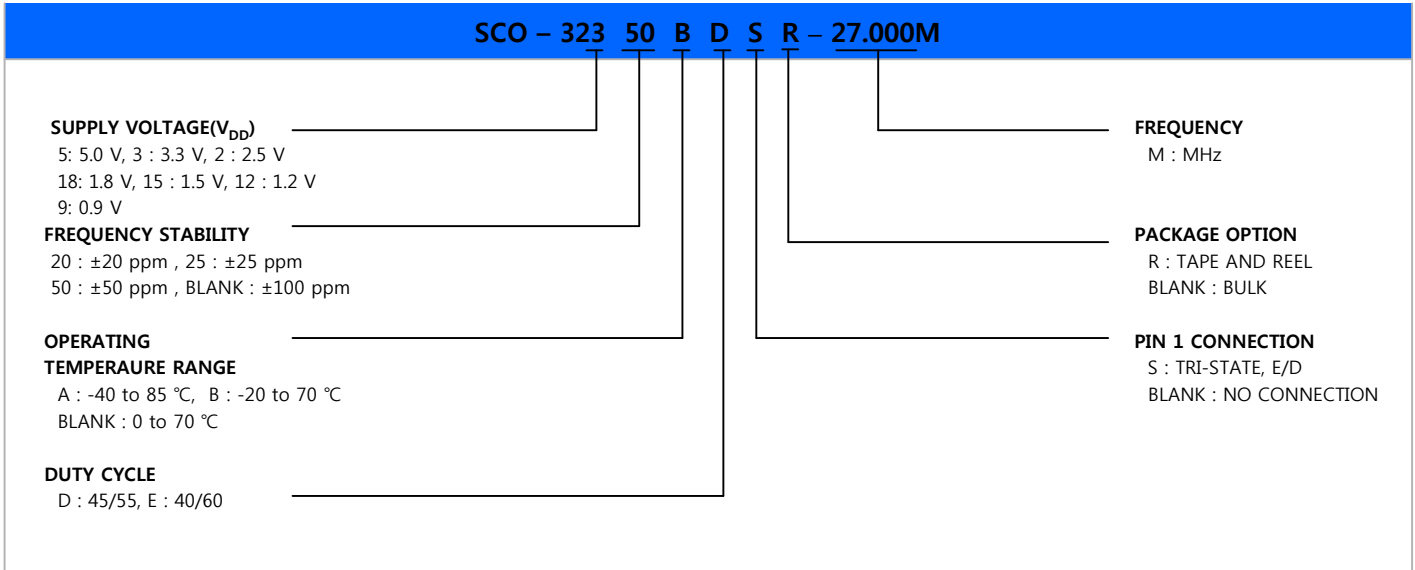
* Please contact us about developed standard frequencies

■ MECHANICAL DIMENSIONS (mm)

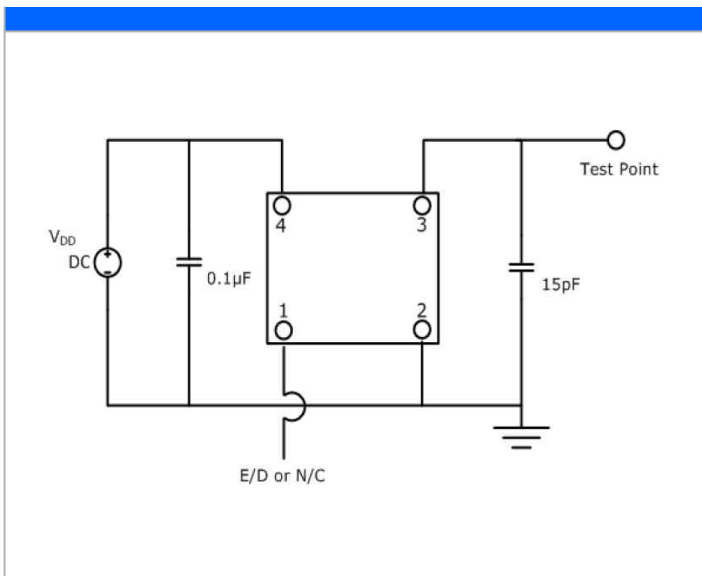
■ LAND PATTERN (mm)



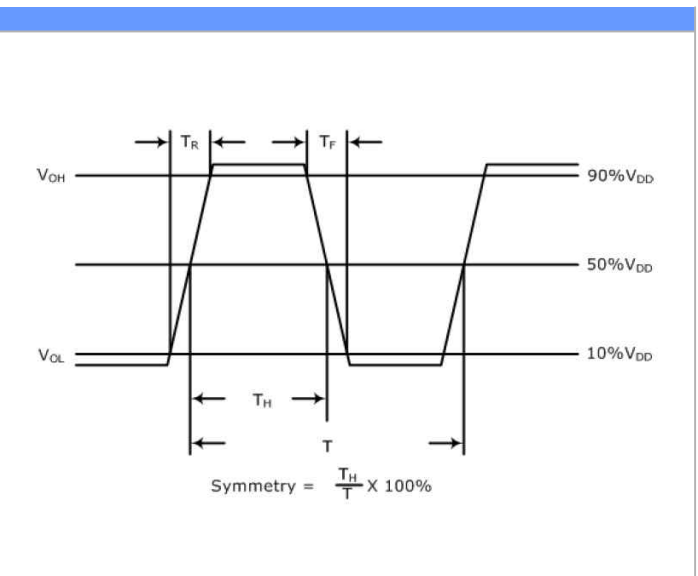
■ PART NUMBERING GUIDE



■ TEST CIRCUIT (CMOS)



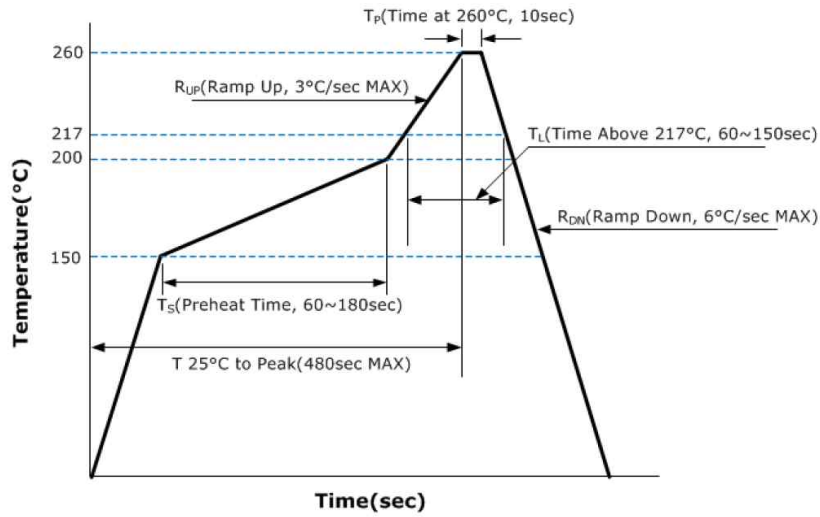
■ WAVEFORM (CMOS)



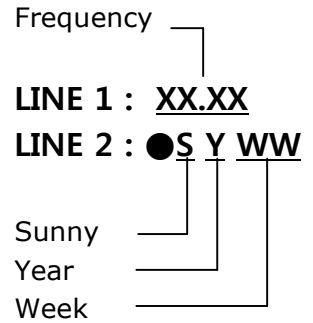
■ ENVIRONMENTAL & MECHANICAL SPECIFICATIONS

Temperature Cycling	MIL-STD-883, Method 1010, Condition B
Fine Leak Test	MIL-STD-883, Method 1014, Condition A
Gross Leak Test	MIL-STD-883, Method 1014, Condition C
Mechanical Shock	MIL-STD-883, Method 2002, Condition B
Vibration	MIL-STD-883, Method 2007, Condition A
Moisture Resistance	MIL-STD-883, Method 1004
Moisture Sensitivity	J-STD-020, MSL 1
Resistance to Soldering Heat	MIL-STD-202, Method 210, Condition K
Solderability	MIL-STD-883, Method 2003

REFLOW PROFILE

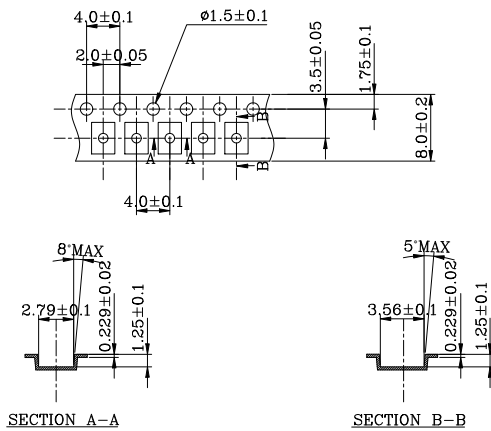


MARKING GUIDE

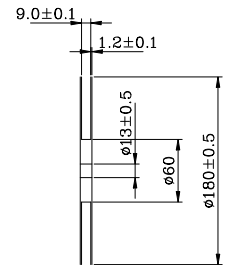
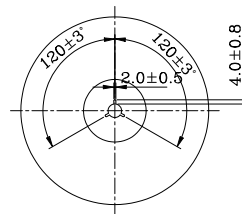


TAPE AND REEL DIMENSIONS

MAT'L : P.S
 COLOR : BLACK
 REFERENCE R=0.2



MAT'L : P.S
 COLOR : BLACK



NOTE
 1. COVER TAPE : 5.4mm(WIDTH)X0.06mm(t) MAT'L : PET
 2. COLOR : WHITE