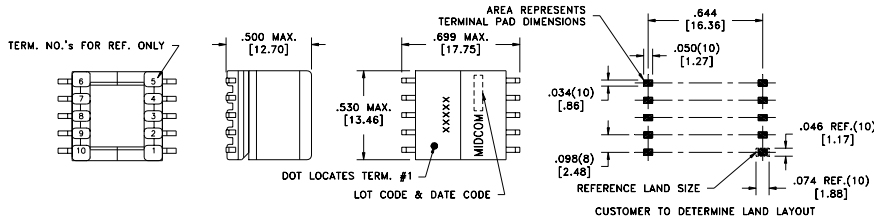
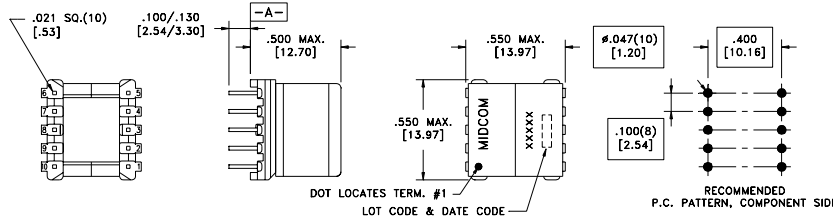


Analog Devices ADSL recommendations

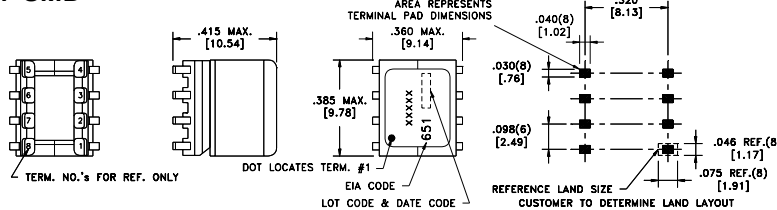
EP13-SMD



EP13-TH



EP7-SMD



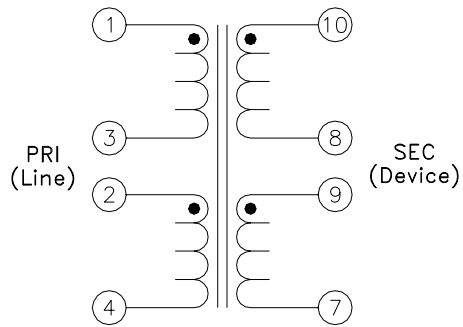
Features

- RoHS compatible versions available
- Designed for Analog Devices' chipsets
- Good total harmonic distortion characteristics
- Optimized for size and performance
- Customization available
- For IC approval status, contact Midcom
- 100 Ohm Line Impedance
- Designed to meet IEC950 requirements for 250VAC working voltage

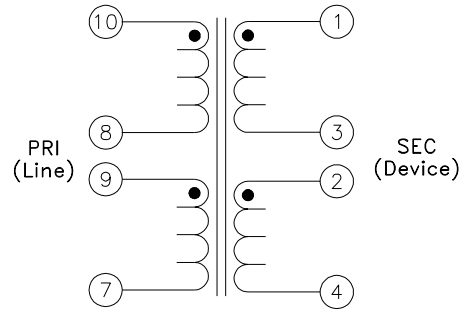
Chipset	Application	IEC950	EP13 SMD	EP13 TH	EP7 SMD	Schematic EP13	Schematic EP7
Anaconda, Diamondback, Copperhead & AD20MSP930	ADSL over POTS CO	Supplementary	50954R	50953	51509R	2	3
Anaconda, Diamondback, Copperhead & AD20MSP930	ADSL over ISDN CO	Supplementary	51026R	-	51532R	2	3
AD20MSP910/918	ADSL over POTS CO	Supplementary	51046R	50366	-	1	-
Eagle, Eagle-II, Eagle-III, AD6488, AD6485 & AD6486	Transmit for all CPE POTS Apps; Utopia, PCI or USB	Supplementary	51476R	51364	51536R	2	3
Eagle, Eagle-II, Eagle-III, AD6488, AD6485 & AD6486	Receive for all CPE POTS Apps; Utopia, PCI or USB	Supplementary	51467R	51482	51678R	2	3
Eagle, Eagle-II, Eagle-III, AD6488, AD6485 & AD6486	Transmit for all CPE ISDN Apps; Utopia, PCI or USB	Supplementary	51475R	51363	51534R	2	3
Eagle, Eagle-II, Eagle-III, AD6488, AD6485 & AD6486	Receive for all CPE ISDN Apps; Utopia, PCI or USB	Supplementary	51466R	51481	51537R	2	3
Eagle, Eagle-II, Eagle-III, AD6488, AD6485 & AD6486	Single Transformer Solution for CPE POTS	Supplementary	-	-	51732R	-	3
Eagle, Eagle-II, Eagle-III, AD6488, AD6485 & AD6486	Single Transformer Solution for CPE ISDN	Supplementary	-	-	51956R	-	3
AD20MSP930	All 4 Chip 5V CPE POTS Apps; USB Modem, PCI-NIC, Client Access	Supplementary	-	51040	51542R	2	3
AD20MSP930	All 4 Chip 5V CPE POTS Apps; USB Modem, PCI-NIC, Client Access	Supplementary	-	-	51540R	-	3
AD20MSP930	All 4 Chip 12V CPE POTS Apps; PCI-NIC, Client Access	Supplementary	51025R	51080	-	2	-
AD20MSP930	All 4 Chip 12V CPE ISDN Apps; PCI-NIC, Client Access	Supplementary	51019R	51079	-	2	-
Opticom/Orchid	ADSL+	Supplementary	-	-	51868R	-	3
AD6790	CPE Single 12V Input	Supplementary	52040R	52091	52093R	2	3
AD6790	CPE Single 12V Input	Functional	52092R	-	52094R	2	3
AD6790	CPE Single 12V Input-Himalayan Mode	Supplementary	-	52180	-	2	-

Details subject to change. Contact your Midcom sales representative for additional information. Dimensions: in/mm. All tolerances are ±0.10/0.25 and electrical specifications are @25°C unless otherwise specified.

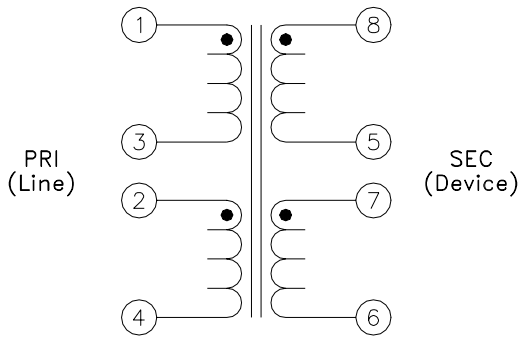
Analog Devices ADSL Schematics



Schematic 1



Schematic 2



Schematic 3

Details subject to change. Contact your Midcom sales representative for additional information. Dimensions: in/mm. All tolerances are $\pm 0.10/0.25$ and electrical specifications are @25°C unless otherwise specified.