

Technical Specification

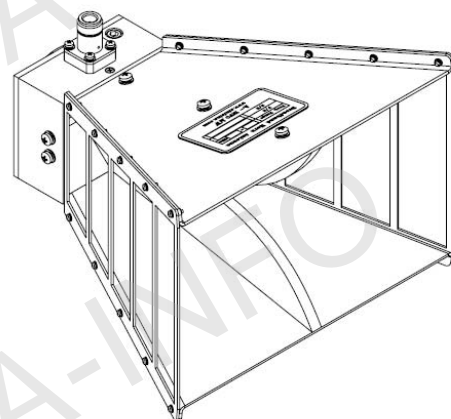
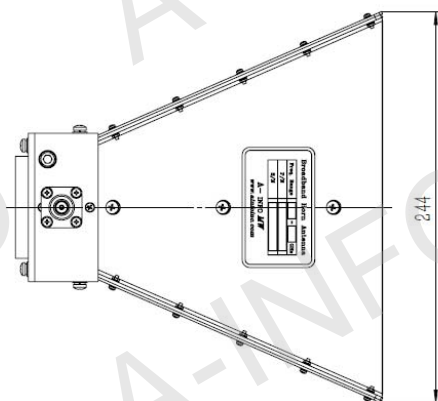
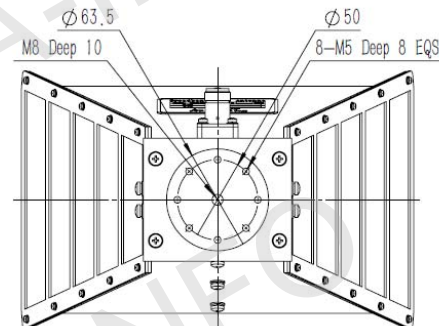
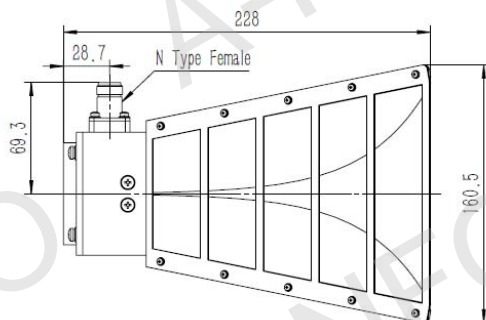


Frequency Range(GHz)	0.7 – 18.0
Gain(dBi)	12 Typ.
Polarization	Linear
3dB Beamwidth(deg)	E Plane: 111 - 13
	H Plane: 78 - 10
Cross Pol. Isolation(dB)	25 Typ.
VSWR	2.0:1 Typ.
Connector	N-Female
	or SMA-Female
Power Handling(W)	N-Female: 300 Max. CW
	SMA-Female: 50 Max. CW
Material	Al
Size(mm)	244 x 160.5 x 228
Net Weight(Kg)	1.5 Around

Outline Drawing (Size: mm)

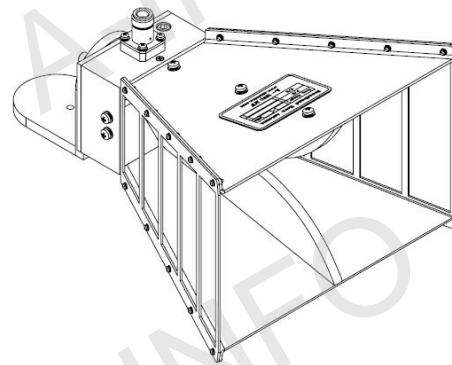
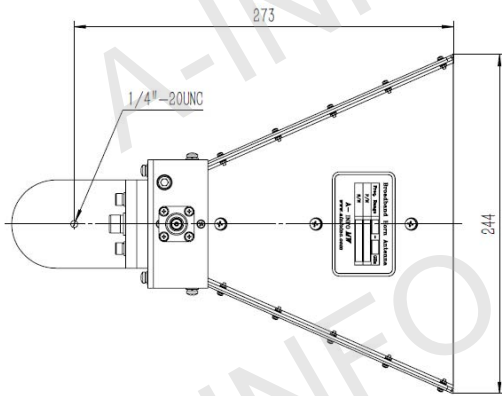
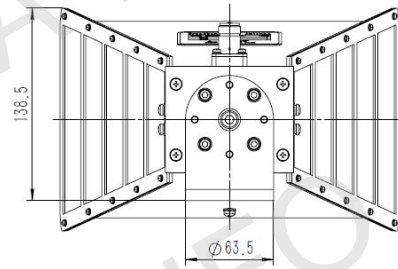
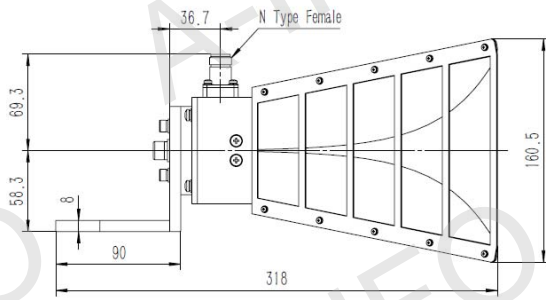
N-Female Output

For SMA-Female output outline drawing, please contact A-INFO.



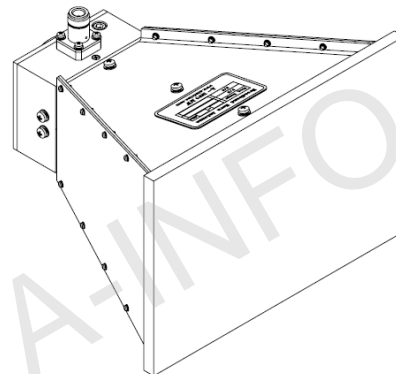
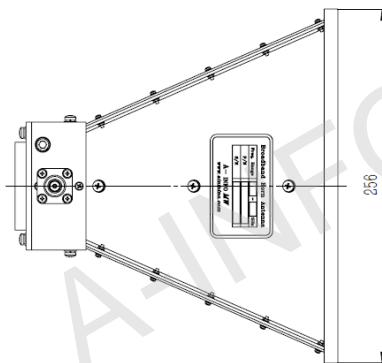
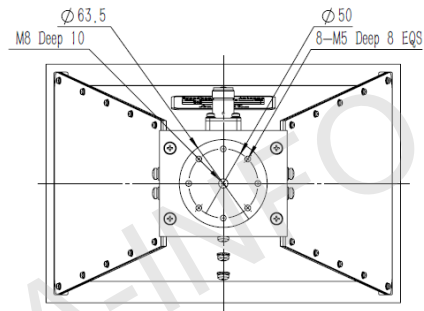
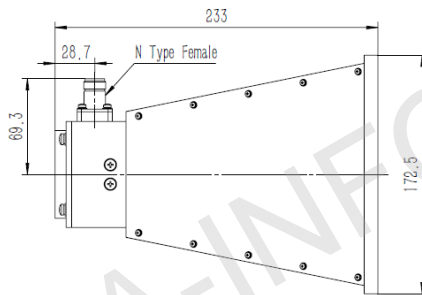
N-Female Output with L type mounting bracket

For SMA-Female output outline drawing, please contact A-INFO.



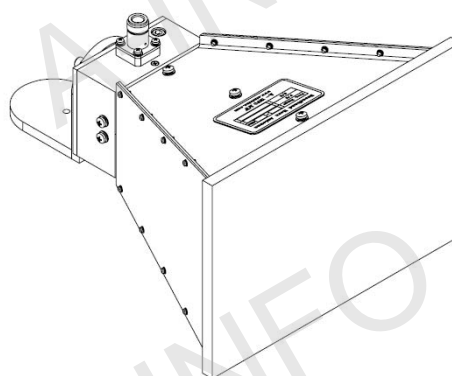
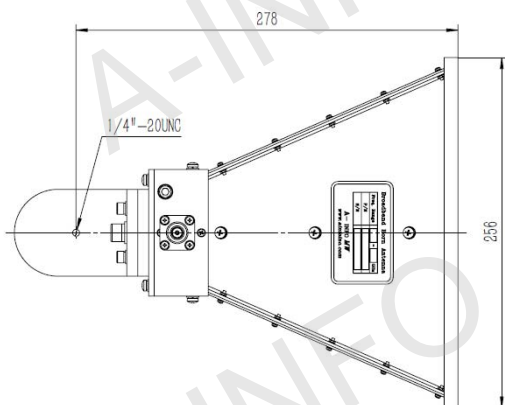
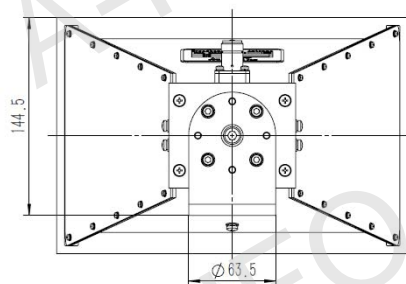
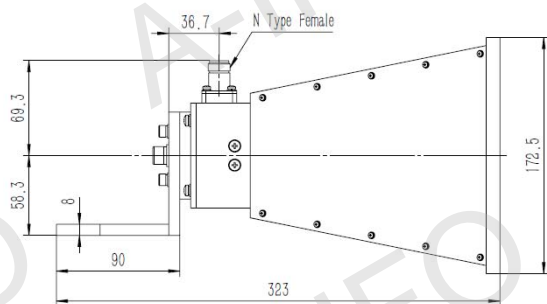
N-Female Output with Radome

For SMA-Female output outline drawing, please contact A-INFO.



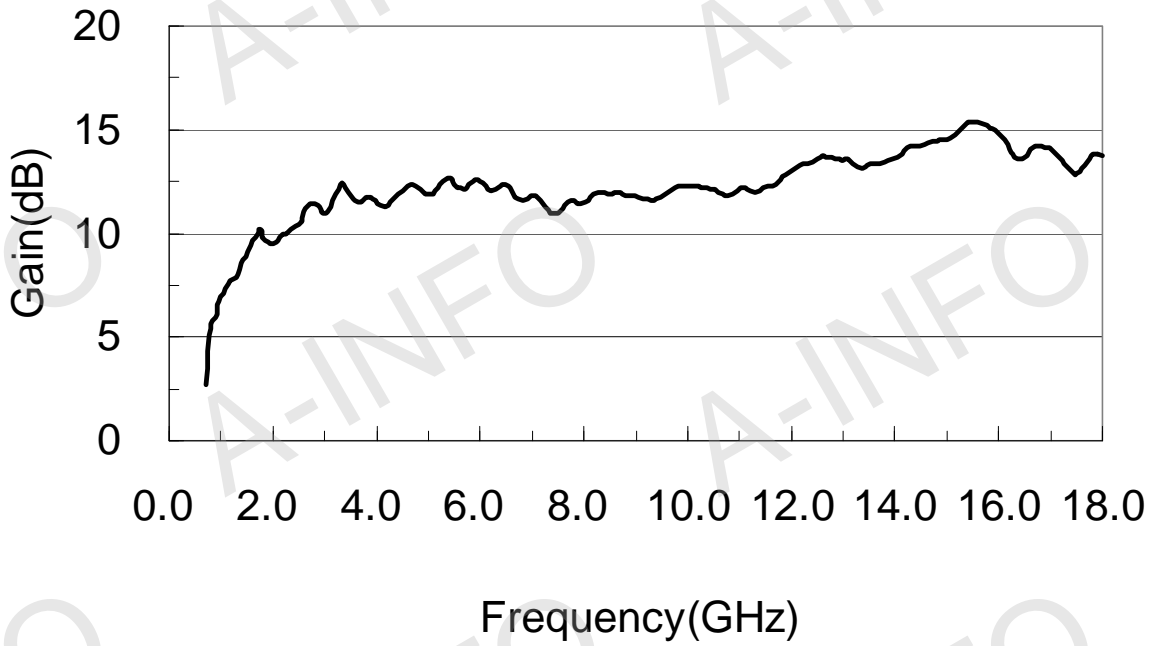
N-Female Output with L type mounting bracket & Radome

For SMA-Female output outline drawing, please contact A-INFO.

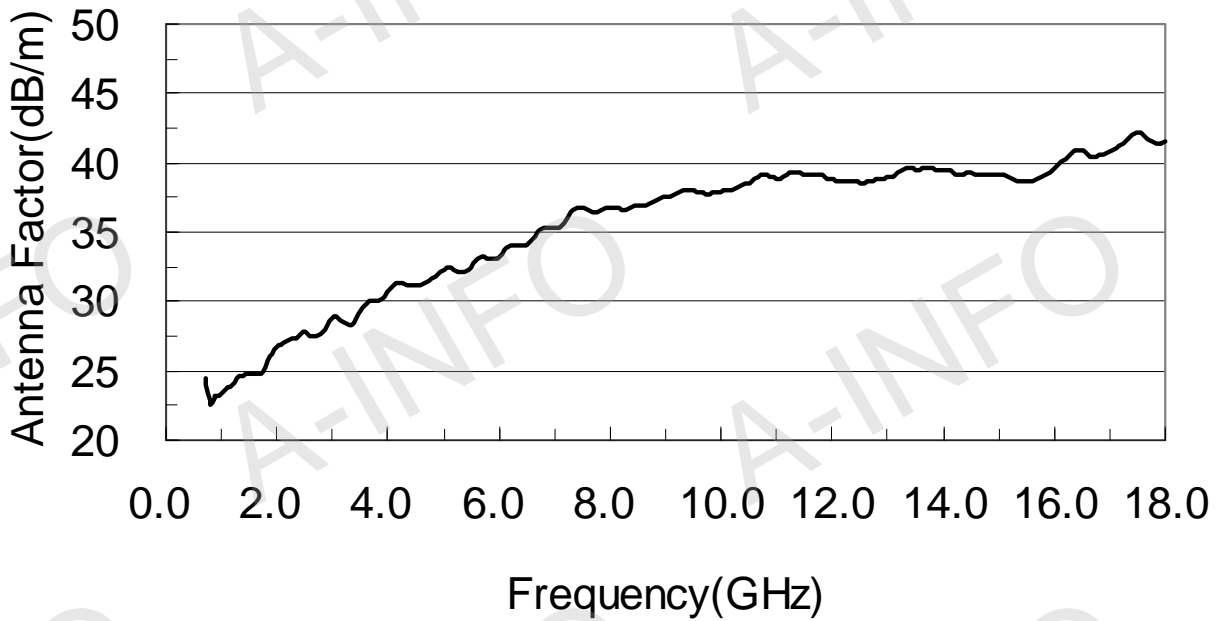


Test Results

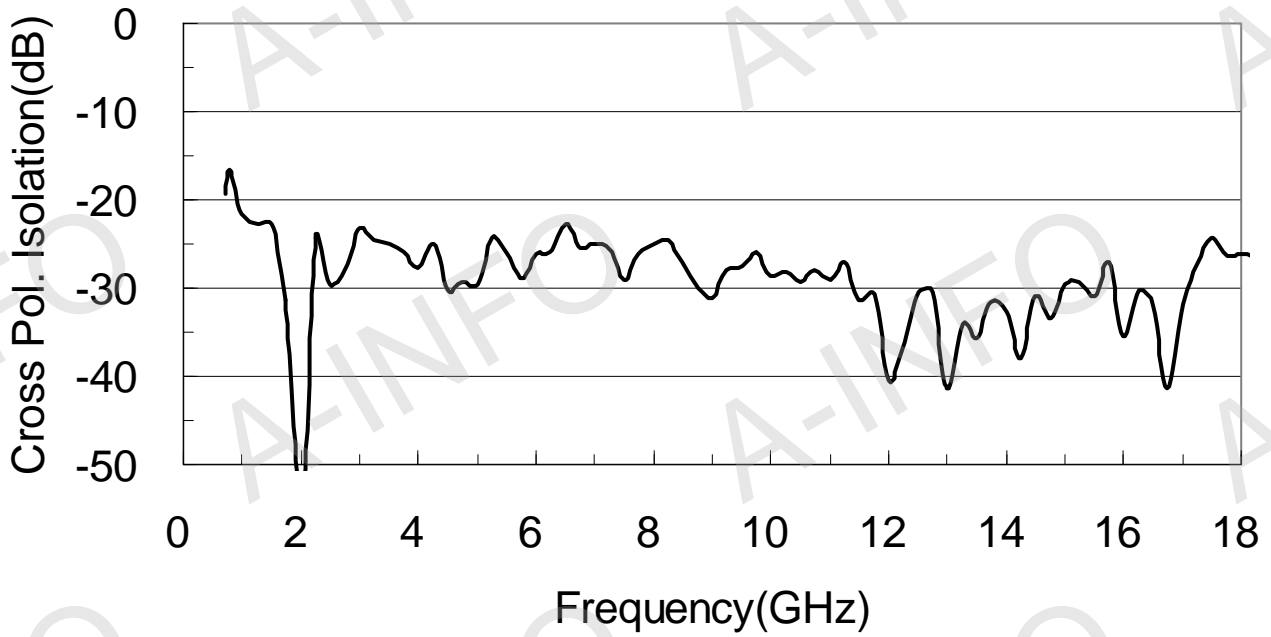
1. Gain (at 3m)



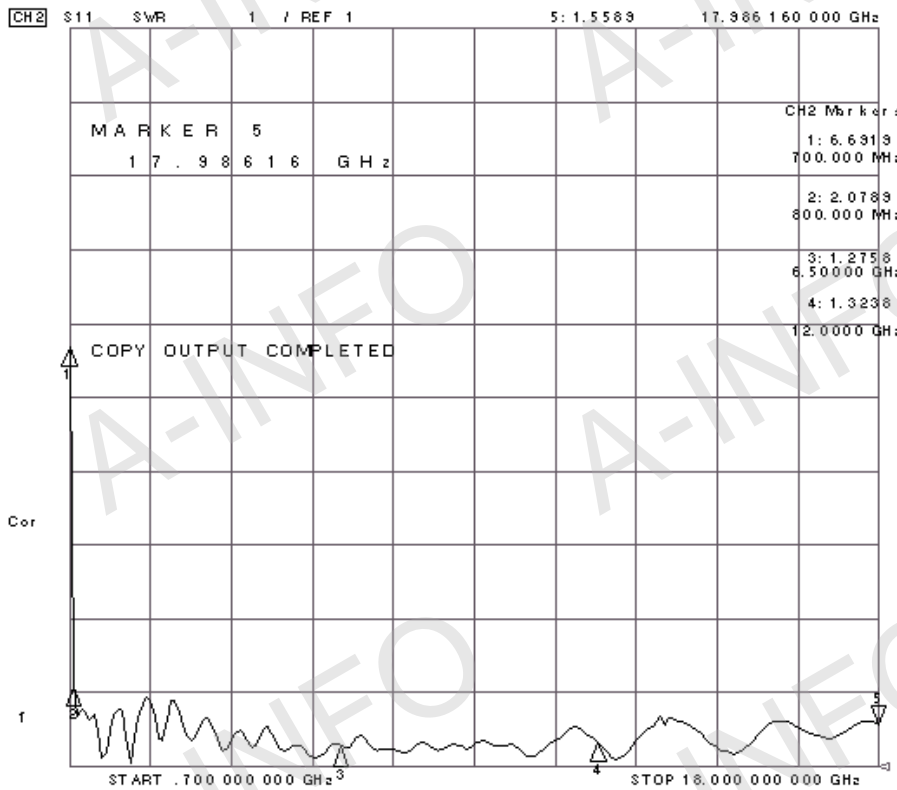
2. Antenna Factor (at 3m)



3. Cross Polarization Isolation



4. VSWR



5. Pattern

