

1 2 3 4 5 6 7 8 9 0

J

I

H

G

F

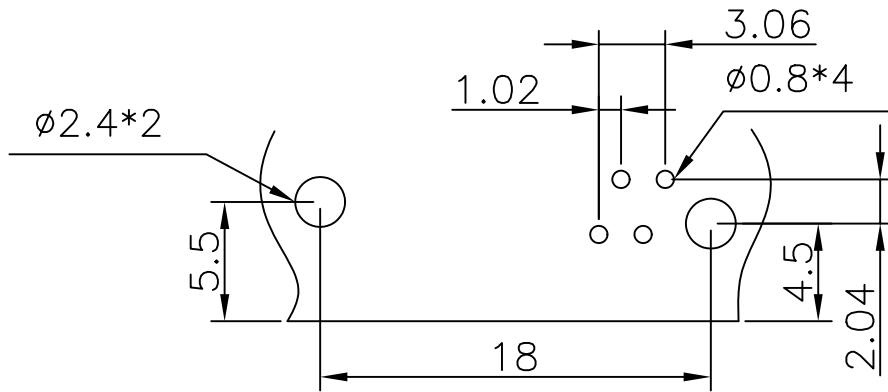
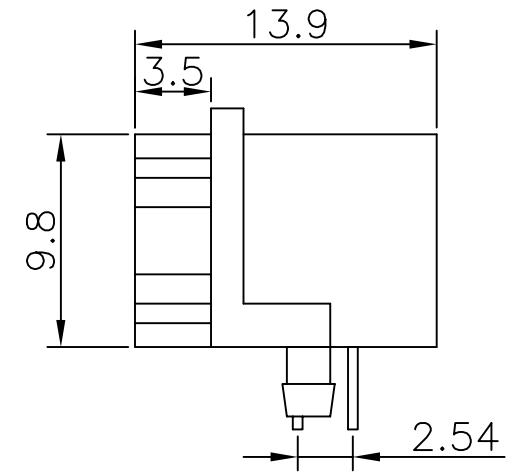
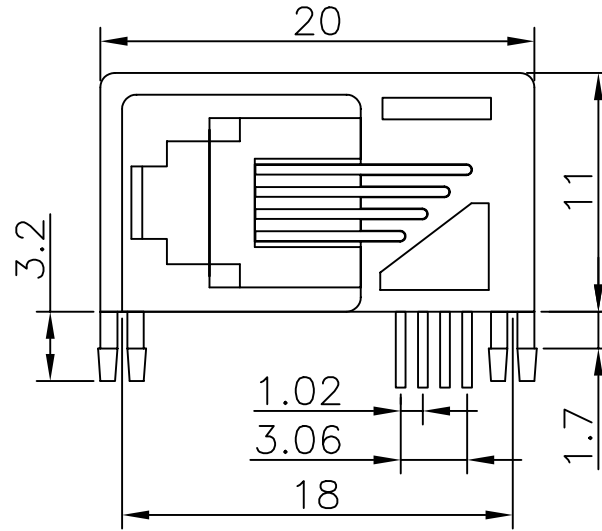
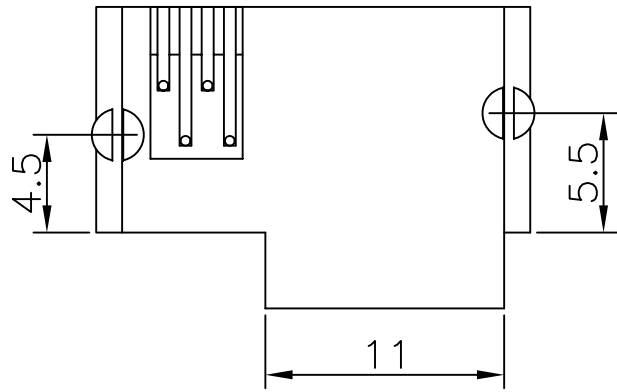
E

D

C

B

A



PCB LAYOUT

MATERIALS

HOUSING:STANDARD MATERIAL GLASS FILLED POLYESTER UL (94V-0).

COLOUR:GREY.

CONTACT:0.45mm DIA PHOSPHOR BRONZE.6u” GOLD PLANTING OVER NICKEL.



PART NO. MJH11-GE06-0404

DWG NO. MJH11-GE06-0404

CHECKED BY CY

TOLERANCES ARE

FILE NO.

DRAWING BY

.X ± 0.25
.XX ±
.XXX ±
AWG

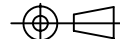
DESCRIPTION:

焯倫有限公司

UNIT / mm

SCALE 1:1

PROJECTION



AREA

REVISIONS

HK

DATE