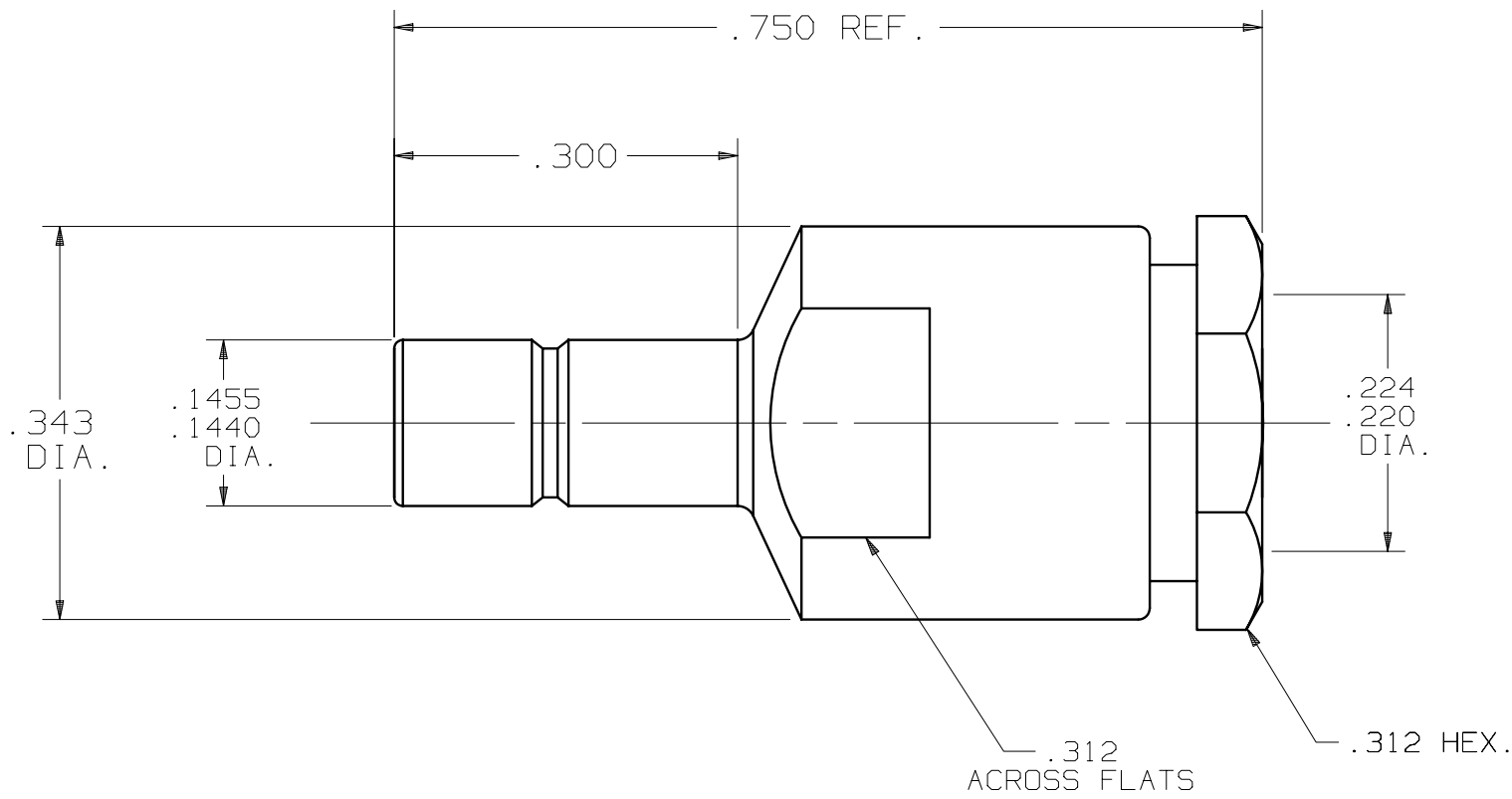


PRODUCT DATA DRAWING



MATERIAL:

BODY
 FERRULE
 CLAMP NUT: BRASS PER ASTM-B16, ALLOY UNS C36000, H02

CONTACT: BERYLLIUM COPPER PER ASTM-B196,
 INSULATOR: PTFE PER ASTM-D1710

FINISH:

BODY
 FERRULE
 CLAMP NUT: GOLD PER ASTM B488 TYPE I, GRADE C, CLASS 1.27 OVER COPPER PER MIL-C-14550

CONTACT: GOLD PER ASTM B488, TYPE I, GRADE C, CLASS 1.27 OVER COPPER PER MIL-C-14550

PERFORMANCE:

IMPEDANCE: 50 OHMS
 DWV: 750 VRMS
 FREQ. RANGE: DC-4.0 GHz
 INSUL. RES.: 1000 MEGOHMS, MIN.

SYM.	DESCRIPTION	DATE	APPR.	UNLESS OTHERWISE SPECIFIED: 1) ALL DIMENSIONS ARE AFTER PLATING. 2) BREAK CORNERS & EDGES .005 R. MAX. 3) CHAM. 1s1 & LAST THDS. 4) SURFACE ROUGHNESS 63 J MIL-STD-10. 5) DIAS. ON COMMON CENTERS TO BE CONCENTRIC WITHIN .005 T.I.R. 6) REMOVE ALL BURRS.	DIMENSIONS ARE IN INCHES TOLERANCES:			SV Microwave, Inc. 2400 Centrepark West Drive, Suite 100 West Palm Beach, FL 33409 TITLE: SMB CABLE JACK WEDGE CLAMP FOR RG-142 CABLE DWG. NO. 2322-0701	
	-	REL.NRN 31600	06/04		STW	DECIMALS	FRACTIONAL		ANGULAR
						.X ±.030			X° ±1°0'
						.XX ±.015	±1/64		X°X' ±15'
				.XXX ±.005					
				DRAWN: JMC 06/10/04	MATERIAL: PER BOM	□" AREA: N/A			
				CHECKED: STW 06/10/04	FINISH: PER BOM	SIZE	CAGE NO.		
				APPROVED: STW 06/10/04		B	95077		
							SCALE		
							5X		