

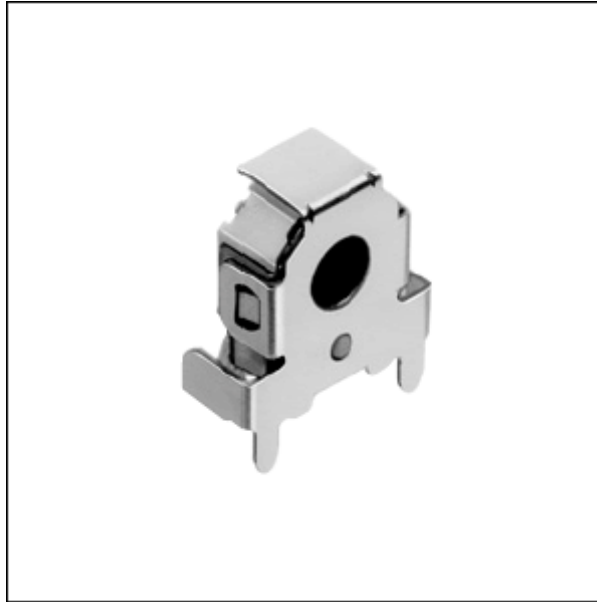


5mm Size Hollow Shaft Type EC05E Series

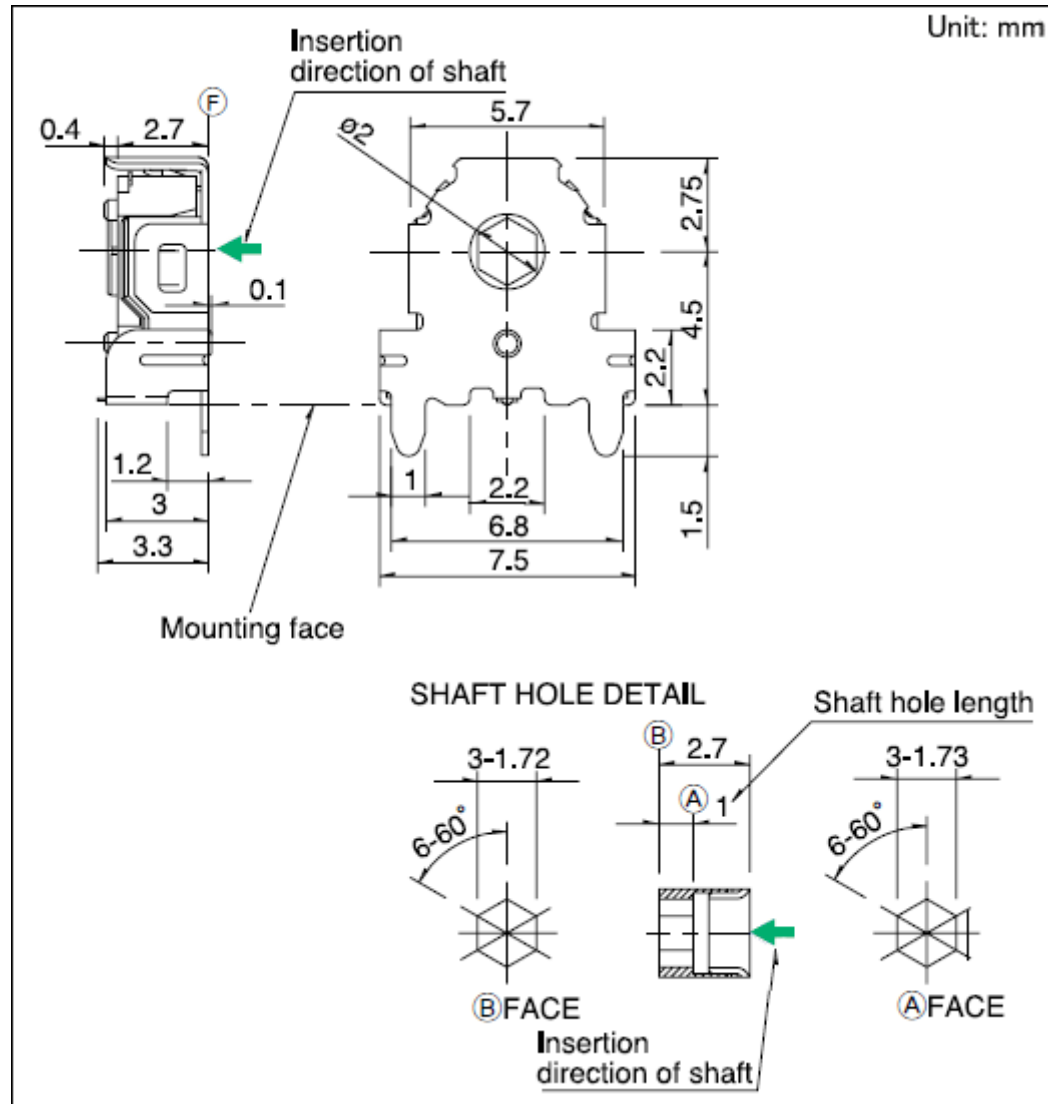
Part number	EC05E1220202	
Number of detent	12	
Number of pulse	12	
Operating direction	Horizontal	
Mount height	4.5mm	
Operating temperature range	-30°C to +85°C	
Electrical performance	Ratings	0.55mA 5.5V DC
	Output signal	Two phase A and B
	Max./min. operating current(Resistive load)	0.55mA/ –
	Insulation resistance	50MΩ min. 50V DC
	Voltage proof	50V AC for 1 minute
Mechanical performance	Detent torque	1.6±1.3mN·m
Durability	Operating life	100,000 cycles

Minimum order unit (pcs.)	Japan	4,000
	Export	8,000

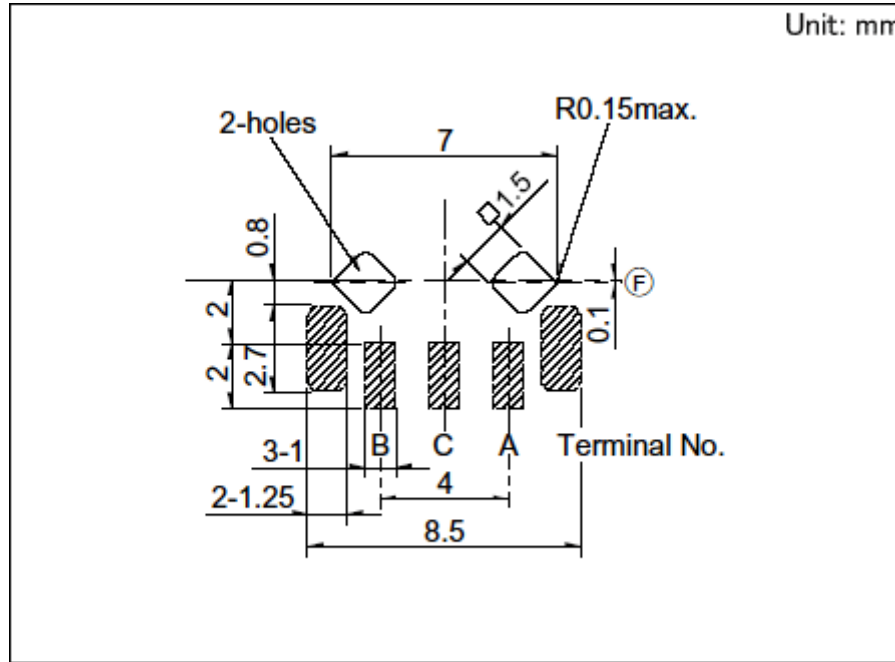
Photo



Dimensions

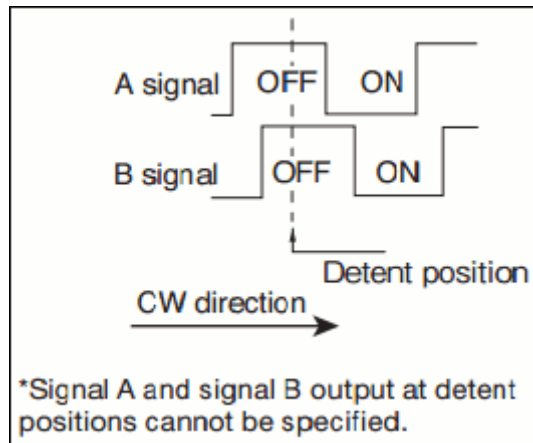


Land Dimensions

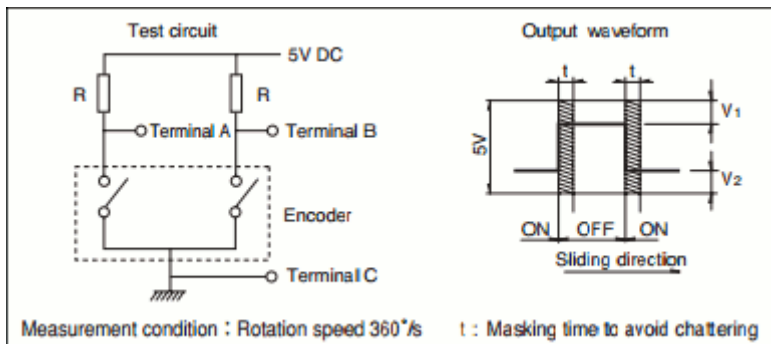


Viewed from mounting side,
shaded area indicated soldering land.

Output Wave



Sliding Noise

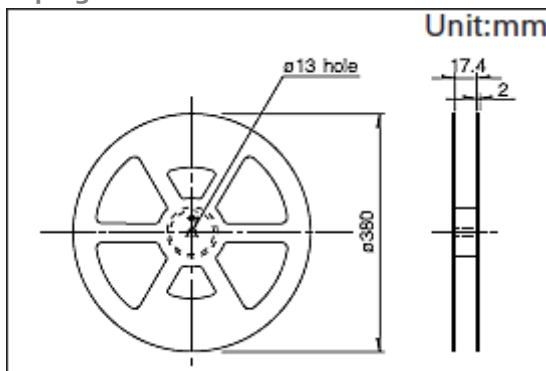


V1=V2=2.5V max.

At R = 10kΩ Chattering : 6ms max. Bounce : 6ms max.

Packing Specifications

Taping



Number of packages 1卷 (pcs.)	1,000
1 case / Japan	4,000
1 case / export packing	8,000
Tape width (mm)	16
Export package measurements (mm)	410×485×246

Soldering Conditions

Example of Reflow Soldering Condition

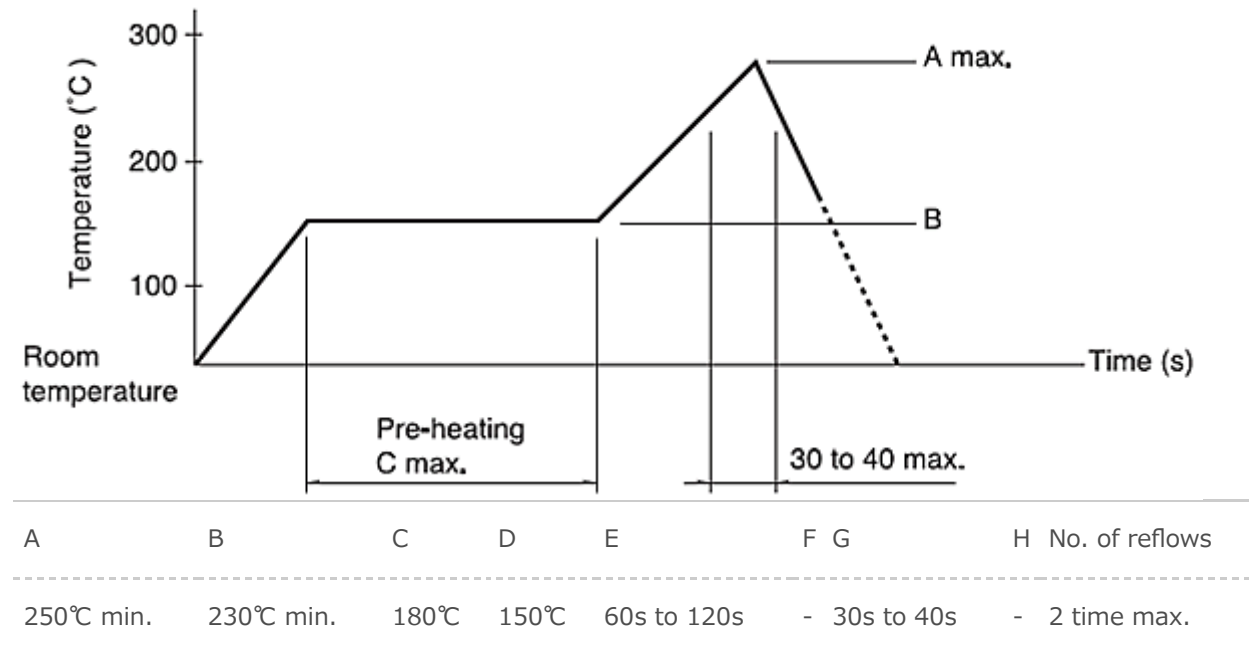
1. Heating method

Double heating method with infrared heater.

2. Temperature measurement

Thermocouple 0.1 to 0.2 Φ CA (K) or CC (T) at soldering portion (copper foil surface). A heat resisting tape should be used for fixed measurement.

3. Temperature profile



(1)When using an infrared reflow oven, solder may sometimes not be applied. Be sure to use a hot air reflow oven or a type that uses infrared rays in combination with hot air.

(2)The temperatures given above are the maximum temperatures at the terminals of the potentiometer when employing a hot air reflow method. The temperature of the PC board and the surface temperature of the potentiometer may vary greatly depending on the PC board material, its size and thickness. Ensure that the surface temperature of the potentiometer does not rise to 250°C or greater.

(3)Conditions vary to some extent depending on the type of reflow bath used. Be sure to give due consideration to this prior to use.

Reference for Hand Soldering

Tip temperature	350°C max.
-----------------	------------

Soldering time	3s max.
----------------	---------

No. of solders	1 time
----------------	--------

Notes are common to this series/models.

1. This site catalog shows only outline specifications. When using the products, please obtain formal specifications for supply.
2. Please place purchase orders for taping products per minimum package units (1 reel or a case) . Please see taping specifications.

Mouser Electronics

Authorized Distributor

Click to View Pricing, Inventory, Delivery & Lifecycle Information:

[Alps Alpine:](#)

[EC05E1220202](#)