

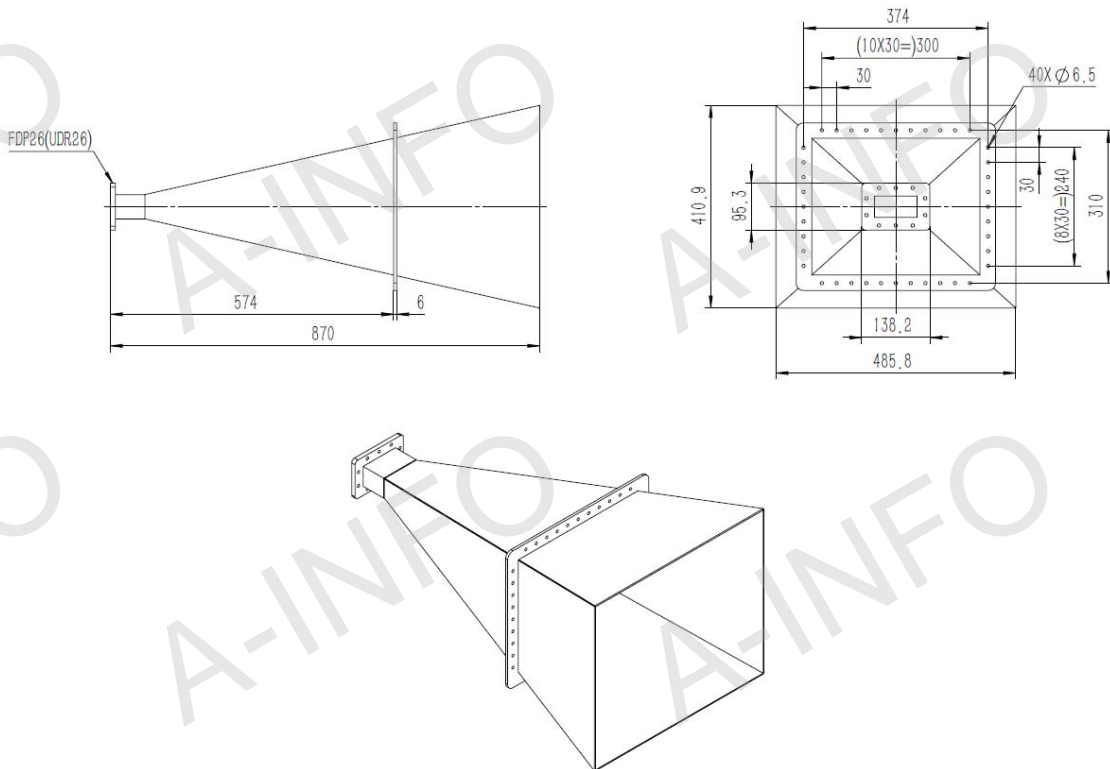
Technical Specification



Frequency Range(GHz)	2.20 - 3.30
Gain(dB)	20 Typ.
Waveguide	WR340
Material	Al
Output	A Type: FDP26(UDR26) C Type: N-F or SMA-F or 7/16-F
Size(mm)	A Type: 485.8x410.9x870 C Type: 485.8x410.9x962
Net Weight(Kg)	A Type: 6.9 Around C Type: 7.5 Around

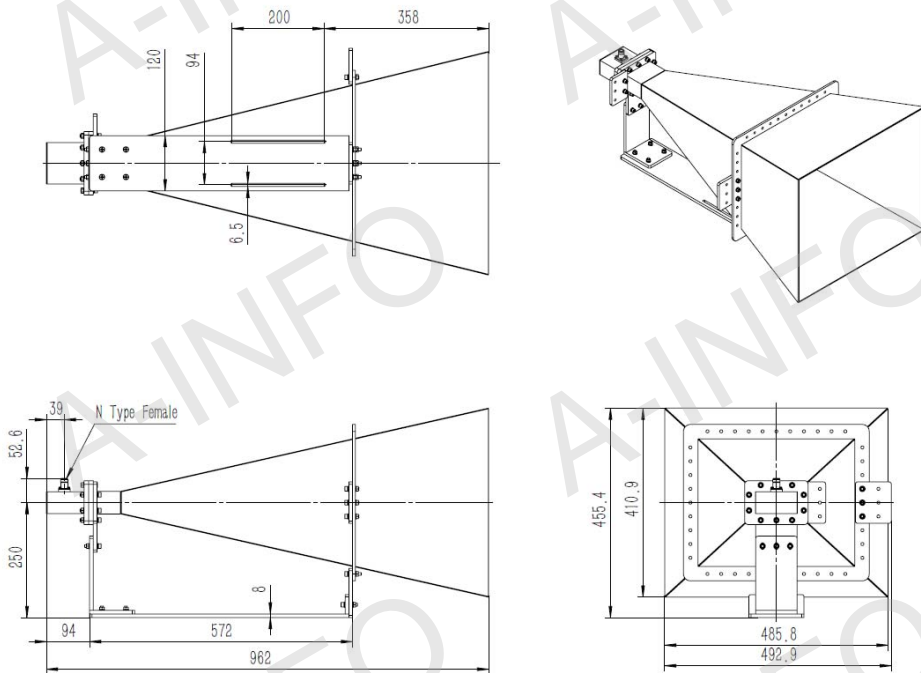
Outline Drawing (Size: mm)

A Type (With FDP26 Output)

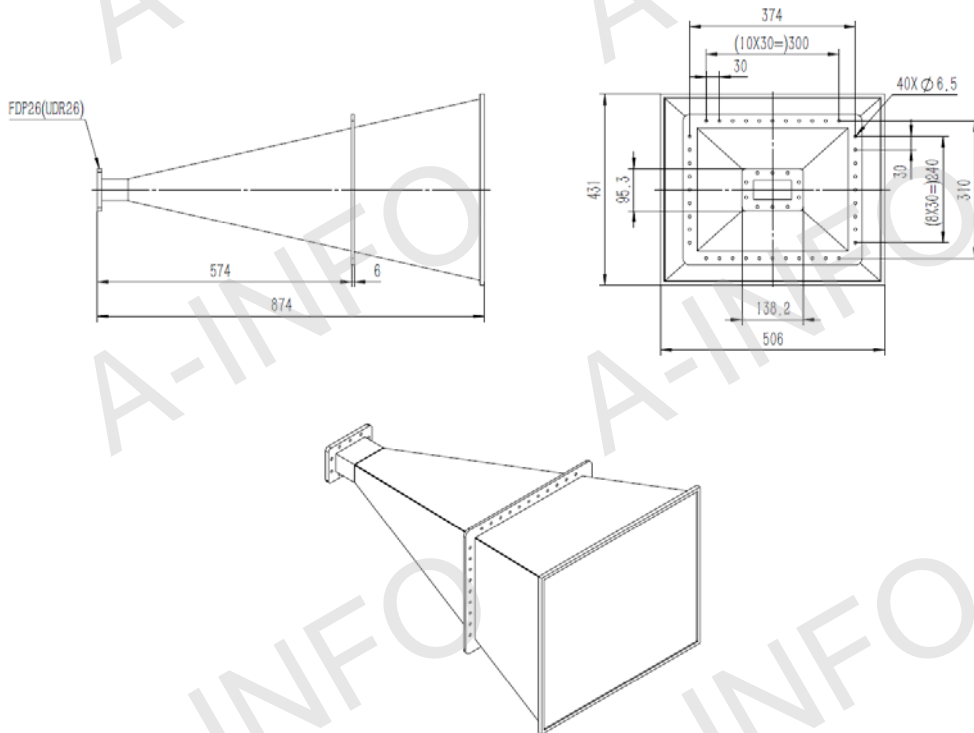


C Type (With N type Female Output & L Type Mounting Bracket)

For SMA-Female or 7/16-Female output outline drawing, please contact A-INFO.

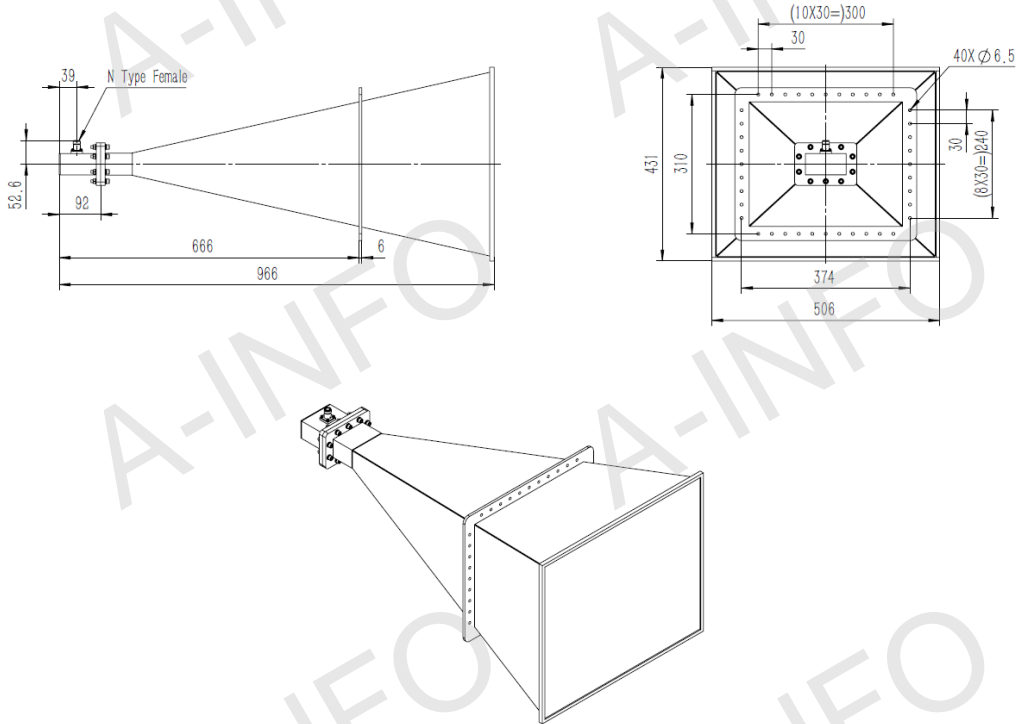


A Type (With Radome)



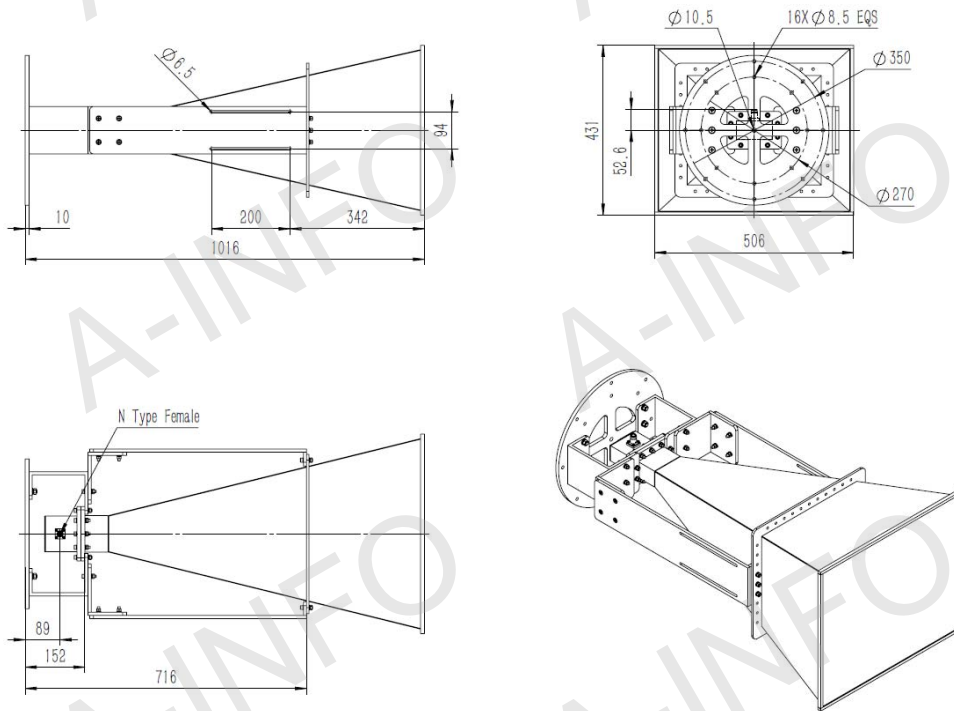
C Type (With N type Female Output & Radome)

For SMA-Female or 7/16-Female output outline drawing, please contact A-INFO.



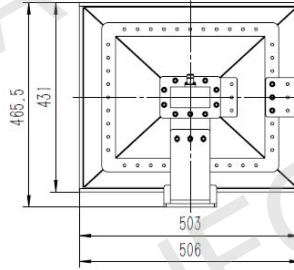
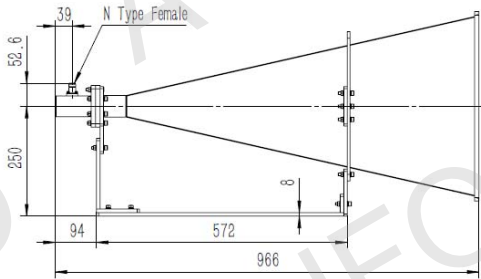
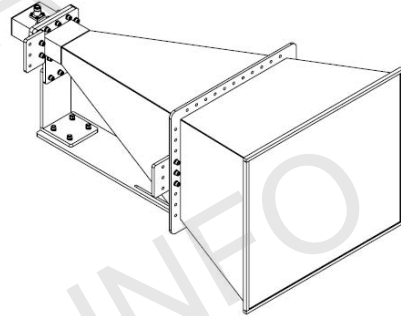
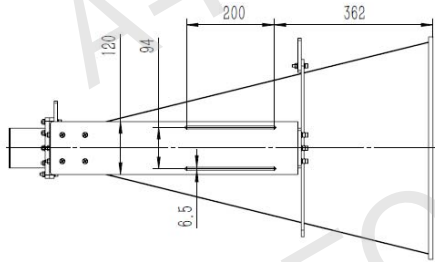
C Type (With N type Female Output & Round Mounting Bracket & Radome)

For SMA-Female or 7/16-Female output outline drawing, please contact A-INFO.

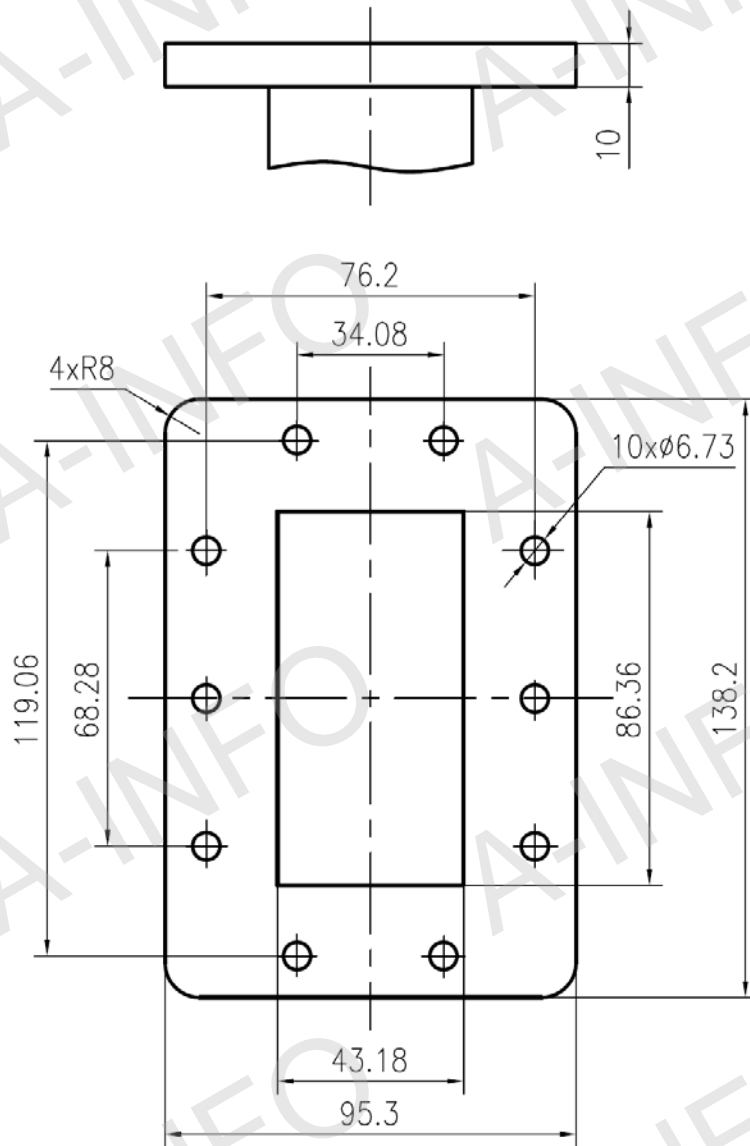


C Type (With N type Female Output & L Type Mounting Bracket & Radome)

For SMA-Female or 7/16-Female output outline drawing, please contact A-INFO.



Flange Drawing (Size: mm)



FDP26

AINFO Inc.

Page 6 of 9

China(Beijing):
China(Chengdu):
USA :

Tel: (+86) 10-6266-7326,
Tel: (+86) 28-8519-2786,
Tel: (+1) 949-639-9688,

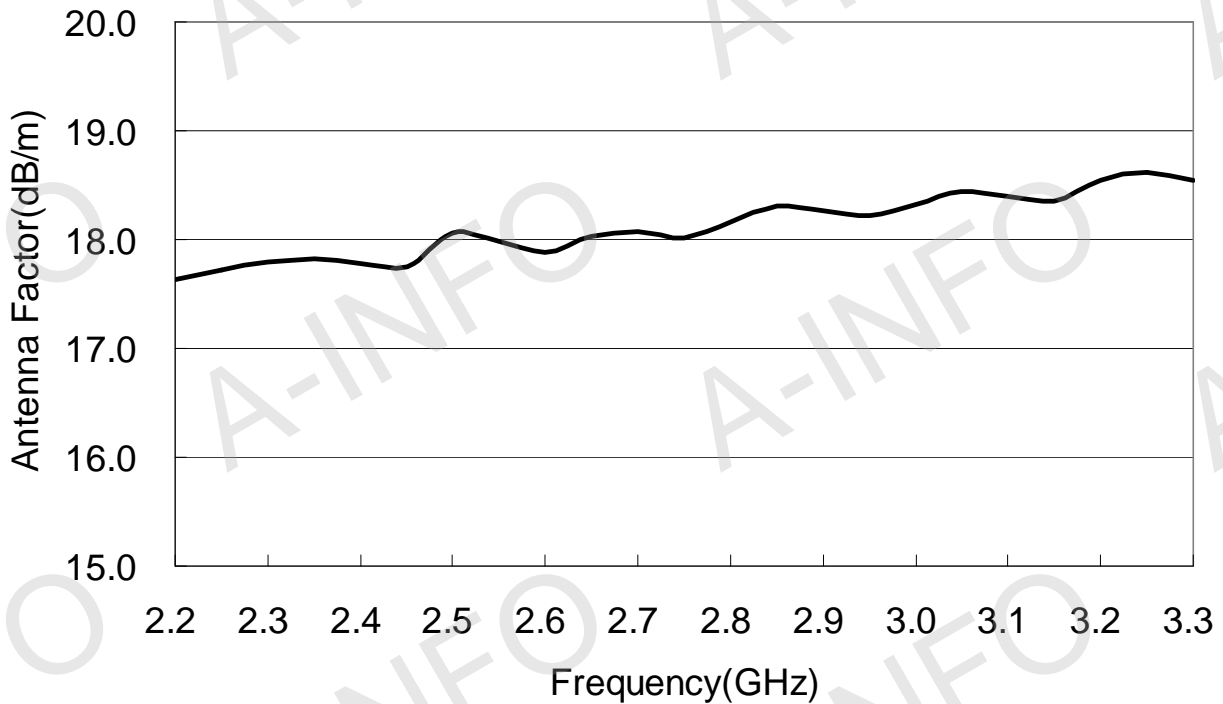
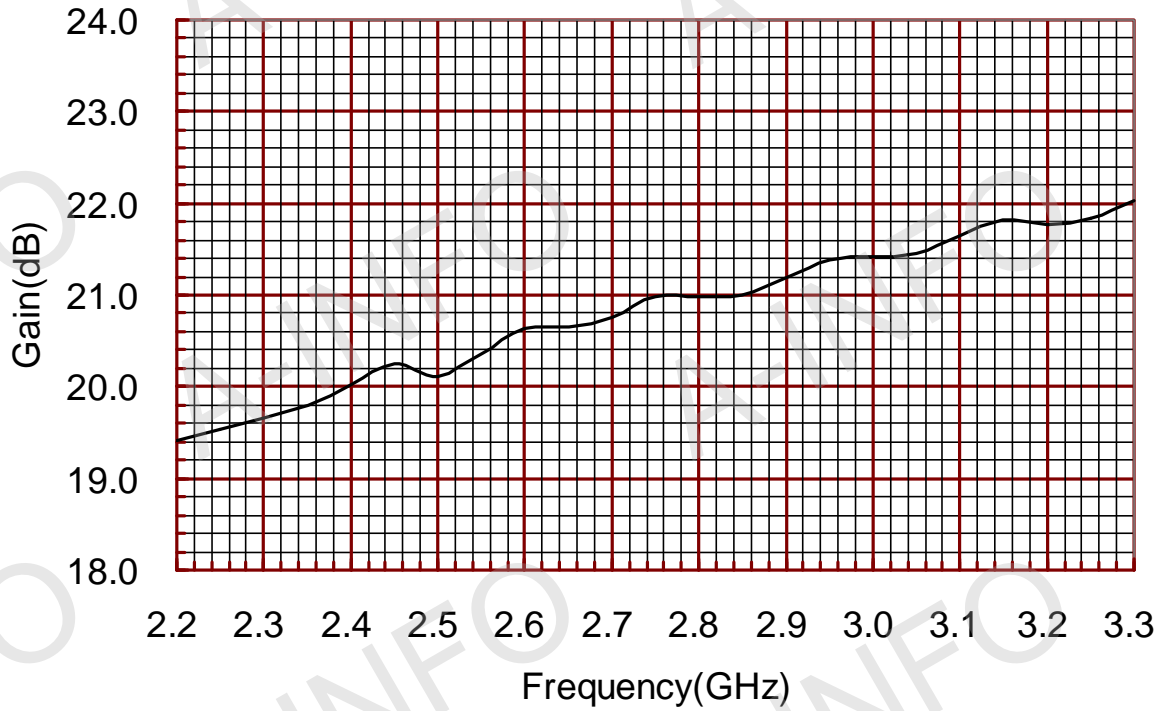
(+86) 10-6266-7327
(+86) 28-8519-3044
(+1) 949-639-9608

Fax: (+86) 10-6266-7379
Fax: (+86) 28-8519-3068
Fax: (+1) 949-639-9670

Website: www.ainfoinc.com
Email: sales@ainfoinc.com

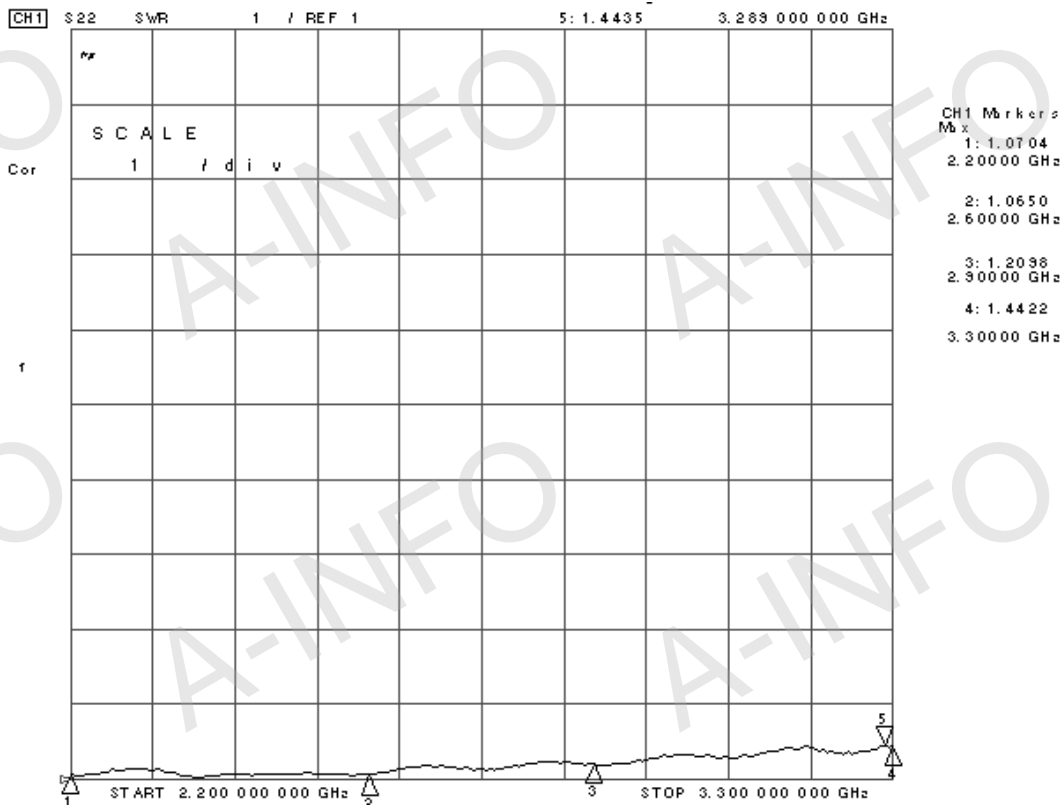
Test Results

1. Gain and Antenna Factor



Frequency(GHz)	Gain(dB)	Antenna Factor(dB/m)
2.2	19.42	17.64
2.3	19.65	17.80
2.4	20.03	17.79
2.5	20.11	18.06
2.6	20.63	17.88
2.7	20.76	18.08
2.8	20.98	18.17
2.9	21.19	18.26
3.0	21.42	18.33
3.1	21.64	18.40
3.2	21.76	18.55
3.3	22.04	18.54

2. VSWR



3. Pattern

