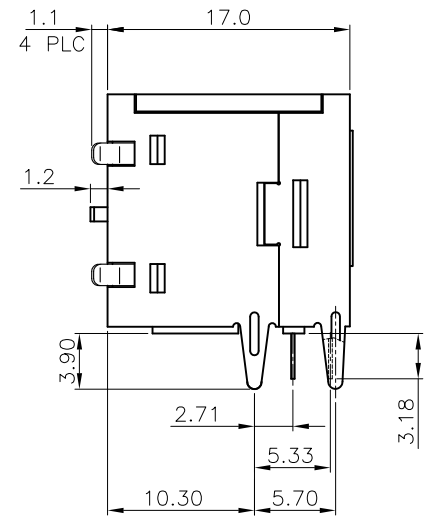
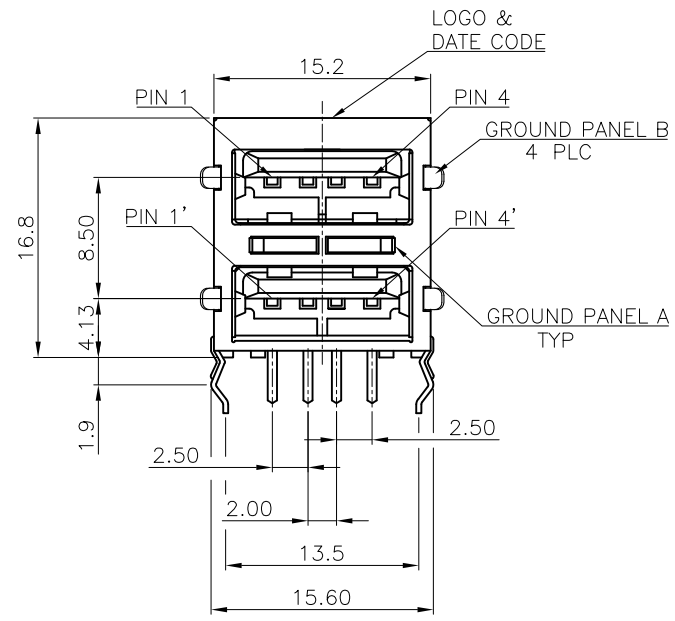
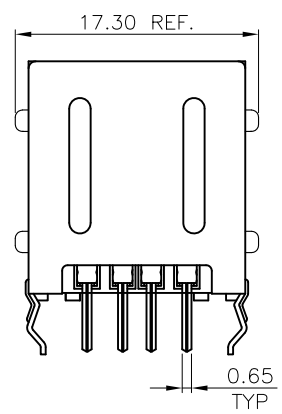
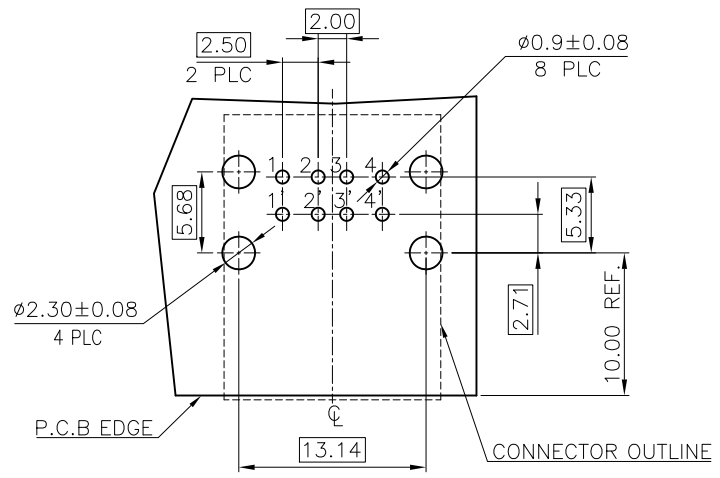


LOC		DIST		REVISIONS			
P	LTR	DESCRIPTION		DATE	DWN	APVD	
B2		REVISED (ECR-13-000479), OBSOLETE 2-1734084-1		23APR13	JL	WK	



NOTES:  
 1. MATERIAL:  
 HOUSING: THERMOPLASTIC (SEE TABLE), WITH 30% GF, UL 94V-0, BLACK COLOR.  
 CONTACT: PHOSPHOR BRONZE, (t=0.25mm).  
 SHIELD: COLD ROLL STEEL, (t=0.35mm)  
 GROUNDING STRIP: STAINLESS, (t=0.20 & 0.25mm)  
 2. FINISH :  
 CONTACT: 0.762µm [30µ"] MIN. GOLD PLATING ON CONTACT AREA,  
 3.81µm [150µ"] MIN. BRIGHT TIN PLATING ON SOLDERTAILS,  
 1.27µm [50µ"] MIN. NICKEL UNDERPLATING OVERALL.  
 SHIELD: 3.048µm [120µ"] MIN. NICKEL PLATED OVERALL.  
 ⚠ WAVE SOLDER CAPABLE TO 245°C PER TE SPEC109-201, CONDITION A.  
 ⚠ REFLOW SOLDER CAPABLE TO 260°C PER TE SPEC 109-201, CONDITION B.



REAR VIEW

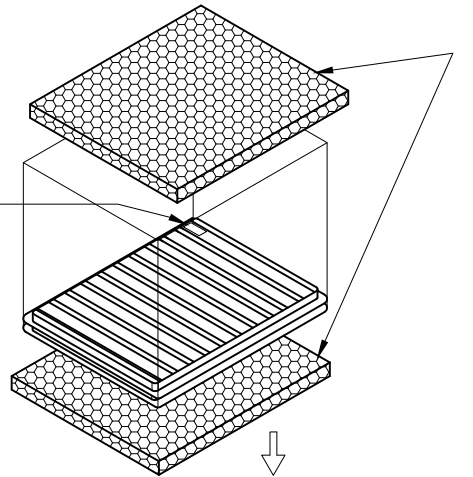
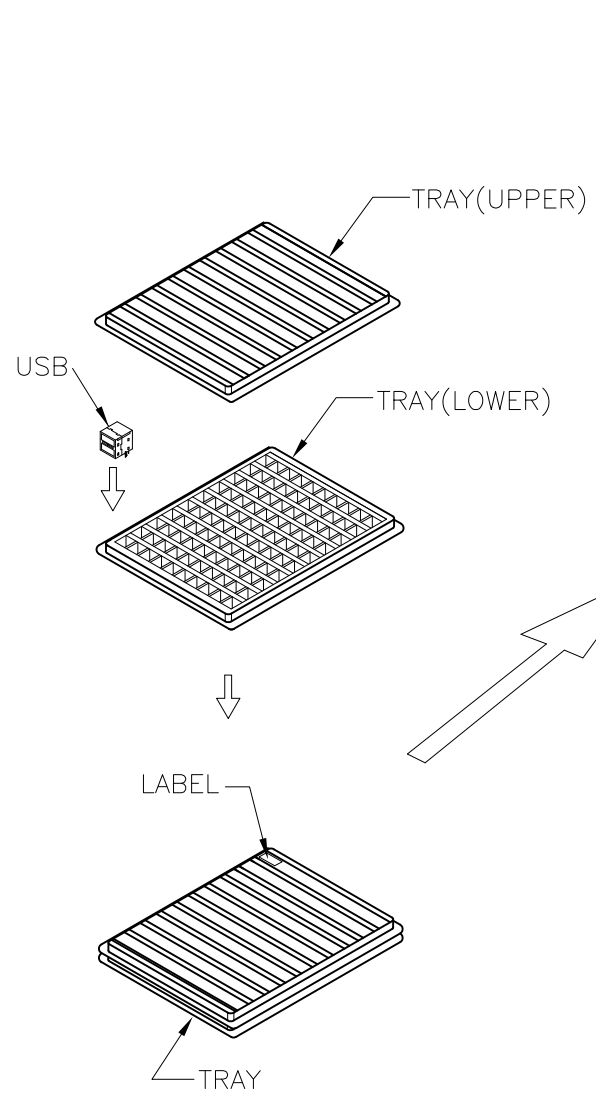
OBSOLETE	⚠ PA9T	W/	W/O	2-1734084-2
OBSOLETE	⚠ PBT	W/	W/O	2-1734084-1
	⚠ PA9T	W/O	W/	1-1734084-2
	⚠ PBT	W/O	W/	1-1734084-1
	⚠ PA9T	W/O	W/O	0-1734084-2
OBSOLETE	⚠ PBT	W/O	W/O	0-1734084-1
	HSG.MATERIAL	GROUND PANEL B	GROUND PANEL A	PART NUMBER

RECOMMENDED P.C.B. LAYOUT (THICKNESS=1.6mm)  
 (TOP VIEW) (TOLERANCE:±0.05mm)

THIS DRAWING IS A CONTROLLED DOCUMENT.		DWN O. HU 07JUL2005	TE Connectivity		
		CHK S. JOU 07JUL2005			
		APVD W.J. KE 07JUL2005	NAME		
DIMENSIONS: mm		PRODUCT SPEC 108-57549		RCPT, STACKED, USB, R/A, A TYPE	
TOLERANCES UNLESS OTHERWISE SPECIFIED: 0 PLC ± - 1 PLC ± 0.35 2 PLC ± 0.25 3 PLC ± 0.15 4 PLC ± - ANGLES ± 3°		APPLICATION SPEC		SIZE CAGE CODE DRAWING NO RESTRICTED TO	
MATERIAL SEE NOTE		WEIGHT 6.16 GRAMS		A3 00779 C=1734084	
FINISH SEE NOTE		CUSTOMER DRAWING		SCALE SHEET 1 OF 2 REV B2	

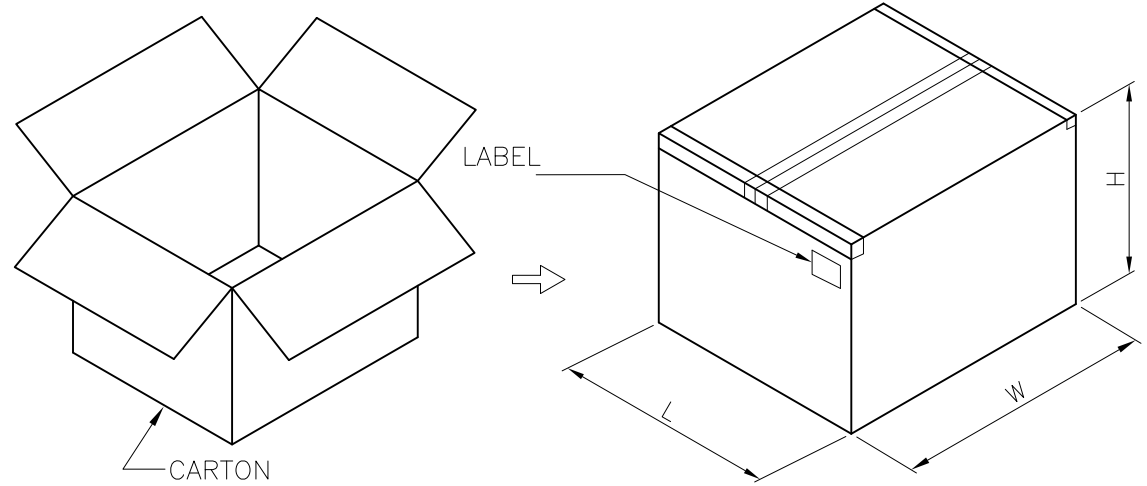
THIS DRAWING IS UNPUBLISHED. RELEASED FOR PUBLICATION  
 © COPYRIGHT 2011 BY TYCO ELECTRONICS CORPORATION. ALL RIGHTS RESERVED.

LOC	DIST	REVISIONS					
DW		P	LTR	DESCRIPTION	DATE	DWN	APVD
		SEE SHEET 1.					



NOTES:

- MATERIAL:  
 TRAY: PE.  
 POLYHONEYCOMB: POLYHONEYCOMB  
 SHIPPING CARTON: CORRUGATED FIBER.
- DIMENSION :  
 TRAY : L=307mm, W=235mm, H=24mm  
 SHIPPING CARTON : L=325mm, W=256mm, H=285mm  
 POLYHONEYCOMB : L=305mm, W=236mm, H=11.5mm



7.30 Kg	6.16 Kg	100	10	1000
GROSS WEIGHT	NET WEIGHT	PCS/TRAY	TRAY /CARTON	QUANTITY

THIS DRAWING IS A CONTROLLED DOCUMENT.

DIMENSIONS: mm	TOLERANCES UNLESS OTHERWISE SPECIFIED: 0 PLC ± - 1 PLC ± - 2 PLC ± - 3 PLC ± - 4 PLC ± - ANGLES ± -	DWN CHK APVD PRODUCT SPEC APPLICATION SPEC WEIGHT CUSTOMER DRAWING	TE Connectivity <b>RCPT, STACKED, USB, R/A, A TYPE</b>	
MATERIAL	FINISH	SIZE A3	CAGE CODE 00779	DRAWING NO C=1734084
		SCALE	SHEET 2 OF 2	REV B2