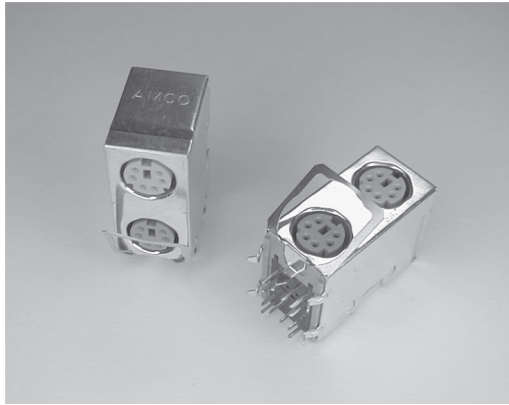


# 511/Mini Din



## MATERIAL :

1. HOUSING : THERMOPLASTIC PBT UL 94V-0.
2. CONTACT : PHOSPHORBRONZE.
3. SHIELD : BRASS.

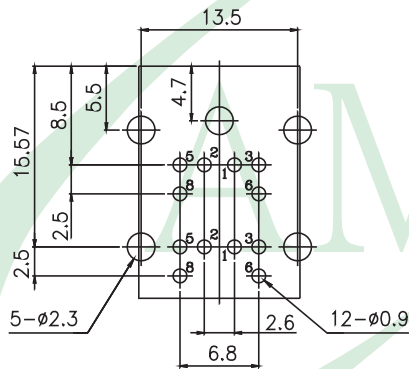
## FINISH :

1. CONTACT : UNDER PLATED 50u" MIN. NICKEL  
ALL OVER 100u" MIN. TIN/LEAD IN  
SOLDERING AREA SELECTIVE GOLD  
PLATED IN CONTACT AREA.
2. SHIELD : 100u" Sn/Pb(90/10) WITH 50u"  
COPPER ALLOY UNDERPLATE.

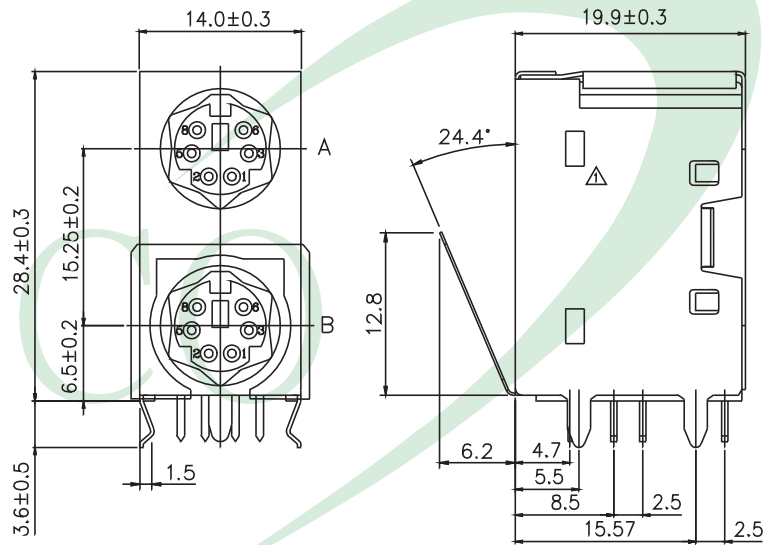
## NOTE :

PC99, PANTONE COLOR CODE :

CONNECTOR FUNCTION	COLOR	PANTONE COLOR NO.
A MOUSE	GREEN	3395C
B KEY BOARD	PURPLE	2715C



P.C.B LAYOUT  
BOTTOM VIEW



## 511. MINI DIN

Series No.

1	2	3	4
5	1	1	—

DUAL TYPE  
FULL SHIELD  
WITH GROUND SPRING  
TWO-PIECE SHIELD

No. of  
Contacts

5

6

4

6

## Mounting Type

(Center Ground / Shield Ground)

6

A

4

6

A TYPE: With a / With d

B TYPE: With a / With c

C TYPE: With b / With c

D TYPE: With b / With d

(a: Harpoon Boardlock)

(b: Keying Post)

(c: Integral Kink Boardlock)

(d: Integral Keying Boardlock)

## Contact Plated

7

S

4

6

T1: TIN

G1: Gold Flash S1: Gold Flash

G2: 3u" Gold S2: 3u" Gold

G3: 5u" Gold S3: 5u" Gold

G4: 10u" Gold S4: 10u" Gold

G5: 15u" Gold S5: 15u" Gold

G6: 30u" Gold S6: 30u" Gold

(G: Full Gold)(S: Selective Gold)

## Plastic

Color

9

B

4

6

B: Black

P: PC99

A: Amco Mark

N: No Mark

10

A