

HDSL-Transformer WSL-H12.400

Specifications



Application

CONEXANT BT8970, BT8921 Chipset,
max. 1168kbps

Safety Agency

IEC 950

Features

Optimized magnetic shielding for low interference
High performance, high quality design
SMT and THT package available

Packaging

100 pcs./tray
7 trays/carton

Solderability

270 - 300°C


Isolation voltage

2050 VAC

Operation Temperature Range

-40°C to +85°C

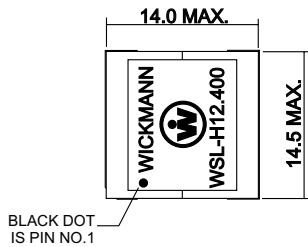
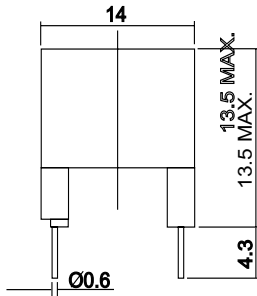
Marking

 article-no.

Unit Weight

7g

Schematics & Mechanicals (mm)



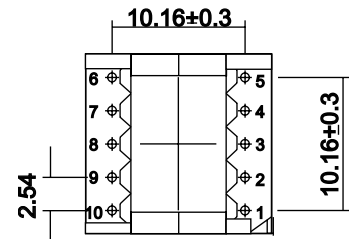
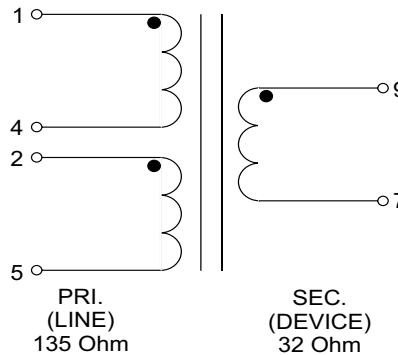
WebLinks

Data Sheet

www.wickmann.com/products/WSL_H12400.pdf

Packaging

www.wickmann.com/pack



DC Resistance:	2,5 Ω (pri.) max. ±10% 1,0 Ω (sec.) max. ±10%
Open Circuit Inductance:	2,0 mH ±10% @ 10kHz, 100mVAC on series 1-5, short 2+4
Turns Ratio:	2:1 ±1% (pri.):(sec.)
Leakage Inductance:	11,0µH max. 100kHz, 100mVAC, (1-5), short (2+4, 7+9)
DC Current:	160mA max.
Reflects 100Ω @ R _L =	-
Return Loss:	16,5dB min. @ 40-300kHz
Total Harmonic Distortion (THD):	70dB min. @20kHz, 4,5Vpp

Order Information

Qty.	Order Number
	960 4 612400 9