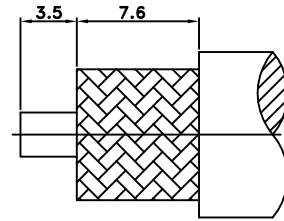
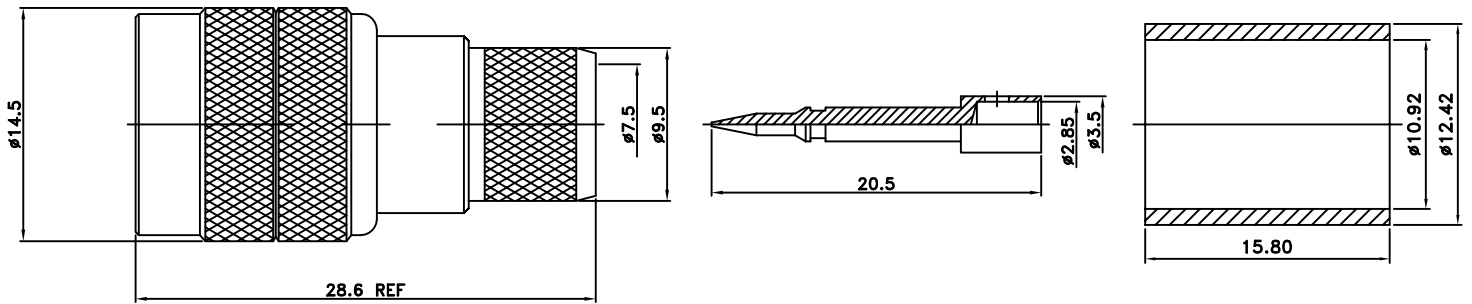


8	Ferrule	1	Brass	Nickel
7	Shell	1	Brass	Nickel
6	Gasket	1	Rubber	Red
5	Retaining ring	1	SK-5	Nickel
4	Sleeve	1	Brass	Nickel
3	Dielectric	1	Teflon	None
2	Pin	1	Brass	Gold
1	Body	1	Brass	Nickel
NO	Description	Q'ty	Material	Finish



RECOMMENDED
CABLE STRIPPING DIM'S



NOTES:

1. UNLESS OTHERWISE SPECIFIED ALL DIMENSIONS ARE NOMINAL.
2. ALL SPECIFICATIONS ARE SUBJECT TO CHANGE WITHOUT NOTICE AT ANY TIME.

				SIZE	TITLE:			
				A	TNC REVERSE-THREAD CRIMP PLUG			
REV	ECN No.	DATE	DESCRIPTION	DRAWN BY	JC	05/20/05	DRAWING No.	REV
-	-	-	-	ORIGINATOR	P. Pesa	05/20/05	ATML-1400	A
				APPROVAL	P. Pesa	05/20/05	PART No. ATML-1400	
				SCALE NA	SHEET 1/1	MATERIAL Noted	FILE No. ATML-1400	



Website: www.L-com.com
Tel: 1-800-343-1455
Copyright © 2009 L-com, Inc.
All rights reserved.