



Raychem | Raychem CMC Series

TE Internal #: C73863-000

Raychem CMC Series, Power Cable, CMC, 600VAC Power Cable

Voltage Rating, Operating Temperature Range -65 – 200 °C,

000AWG Wire Size

[View on TE.com >](#)

Wire & Cable > Power Cable

Power Cable Type: **CMC**

Power Cable Voltage Rating: **600 VAC**

Power Cable Insulation Material: **Radiation-Crosslinked, Modified Flexible ETFE**

Jacket Material: **Radiation-Crosslinked, Modified Flexible ETFE**

Power Cable Jacket Color: **White**

## Features

### Product Type Features

Cable Insulation Style	Double
Power Cable Type	CMC
Wall Type	Dual
Product Type	Cable
Product Classification	Cable - Power

### Configuration Features

Number of Power Cable Conductors	1
Number of Strands	1665

### Electrical Characteristics

Power Cable Voltage Rating	600 VAC
----------------------------	---------

### Body Features

Power Cable Insulation Material	Radiation-Crosslinked, Modified Flexible ETFE
Jacket Material	Radiation-Crosslinked, Modified Flexible ETFE
Power Cable Jacket Color	White
Power Cable Conductor Material	Nickel-Coated Copper

### Dimensions

	.5 in
Strand Size	30 AWG
Wire Size	000 AWG



### Usage Conditions

Operating Temperature Range	-65 – 200 °C
-----------------------------	--------------

### Product Compliance

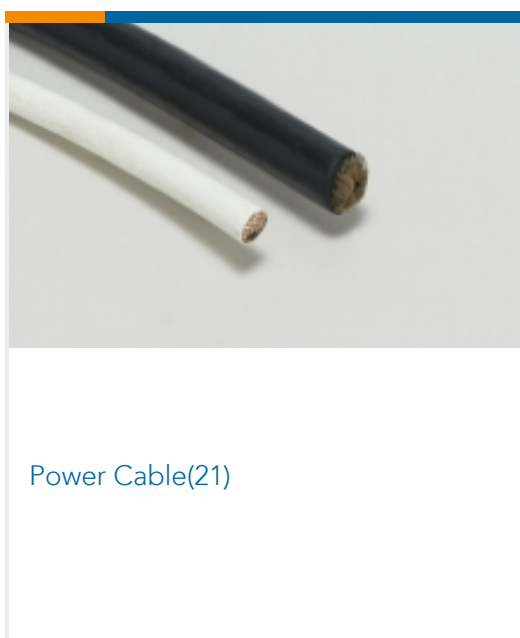
[For compliance documentation, visit the product page on TE.com>](#)

EU RoHS Directive 2011/65/EU	Compliant
EU ELV Directive 2000/53/EC	Compliant
China RoHS 2 Directive MIIT Order No 32, 2016	No Restricted Materials Above Threshold
EU REACH Regulation (EC) No. 1907/2006	Current ECHA Candidate List: JUL 2021 (219) Candidate List Declared Against: JUL 2021 (219) Does not contain REACH SVHC
Halogen Content	Out of Scope - excluded from Halogen requirements
Solder Process Capability	Not applicable for solder process capability

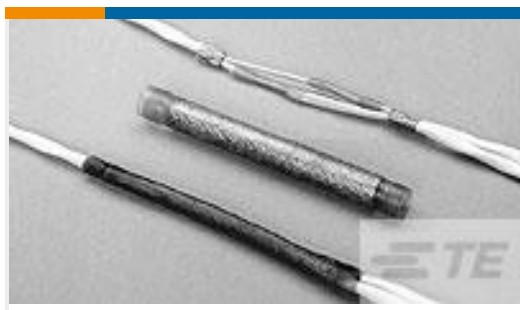
#### Product Compliance Disclaimer

This information is provided based on reasonable inquiry of our suppliers and represents our current actual knowledge based on the information they provided. This information is subject to change. The part numbers that TE has identified as EU RoHS compliant have a maximum concentration of 0.1% by weight in homogenous materials for lead, hexavalent chromium, mercury, PBB, PBDE, DBP, BBP, DEHP, DIBP, and 0.01% for cadmium, or qualify for an exemption to these limits as defined in the Annexes of Directive 2011/65/EU (RoHS2). Finished electrical and electronic equipment products will be CE marked as required by Directive 2011/65/EU. Components may not be CE marked. Additionally, the part numbers that TE has identified as EU ELV compliant have a maximum concentration of 0.1% by weight in homogenous materials for lead, hexavalent chromium, and mercury, and 0.01% for cadmium, or qualify for an exemption to these limits as defined in the Annexes of Directive 2000/53/EC (ELV). Regarding the REACH Regulation, the information TE provides on SVHC in articles for this part number is based on the latest European Chemicals Agency (ECHA) 'Guidance on requirements for substances in articles' posted at this URL: <https://echa.europa.eu/guidance-documents/guidance-on-reach>

### Also in the Series | Raychem CMC Series



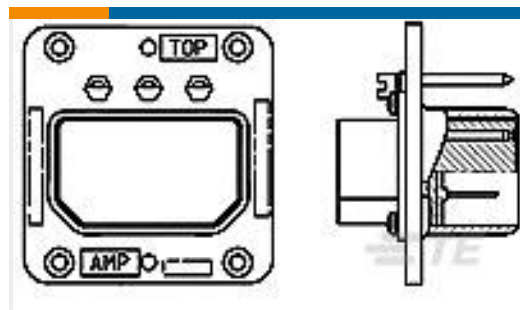
### Customers Also Bought



TE Part #522161-000  
D-150-0228



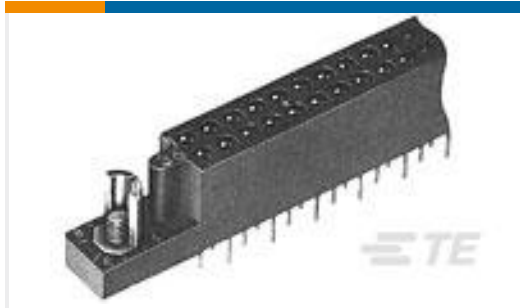
TE Part #5053034048  
RNF-100-1/8-9-SP



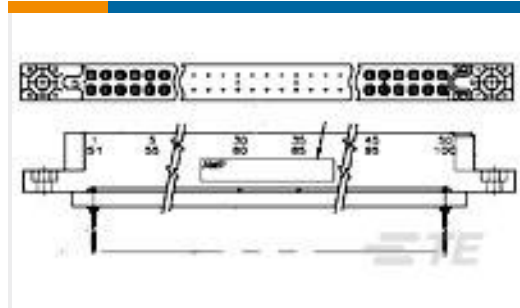
TE Part #1218638-1  
ARINC ASSY, MME1P57P-2301(204)



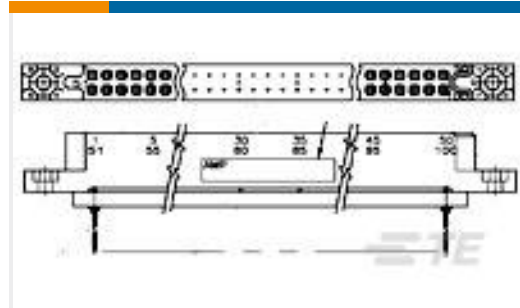
TE Part #331014-000  
55A1111-20-2-9



TE Part #530776-6  
2 ROW BOX RECP 80 POS STAG



TE Part #530781-3  
2 ROW BOX RECP 50 POS 100 C/L



TE Part #530781-7  
2 ROW BOX RECP 90 POS 100 C/L



TE Part #NB17544001  
RT-375-1-1/2-X-SP



TE Part #3-1532017-7  
095-0048-0008=MCDD1-B-21S6B2-

## Documents

### Product Drawings

[CMC-0553-000-9](#)

English

### Datasheets & Catalog Pages

[Wire and Cable Overview](#)

English

### Product Specifications

[Product Specification](#)

English