



Please enter U&T part number for

Popular Searches: [UTH20C01](#) [UTH16P05](#) [UTG18T01](#) [UTG96T01](#) [UTT24C01](#)

Products List

[100 Base-T](#)

[1000 Base-T](#)

[2.5/5/10G Base-T](#)

→ [2.5G Base-T](#)

→ [2.5G](#)

→ [2.5G POE](#)

→ [2.5G UPOE](#)

→ [5G Base-T](#)

→ [10G Base-T](#)

Your present location: [Home](#) >> [2.5/5/10G Base-T](#) >> [5G Base-T](#) >> [UTV24C50](#)



Name: UTV24C50

No.: [UTV24C50](#)

Views : [26](#)



[Browse similar products](#)

Next : [UTV48C50](#)

Details



5G BASE-T SINGLE PORT MAGNETICS MODULE

P/N: UTV24C50 DATA SHEET

Page : 1/1

Feature

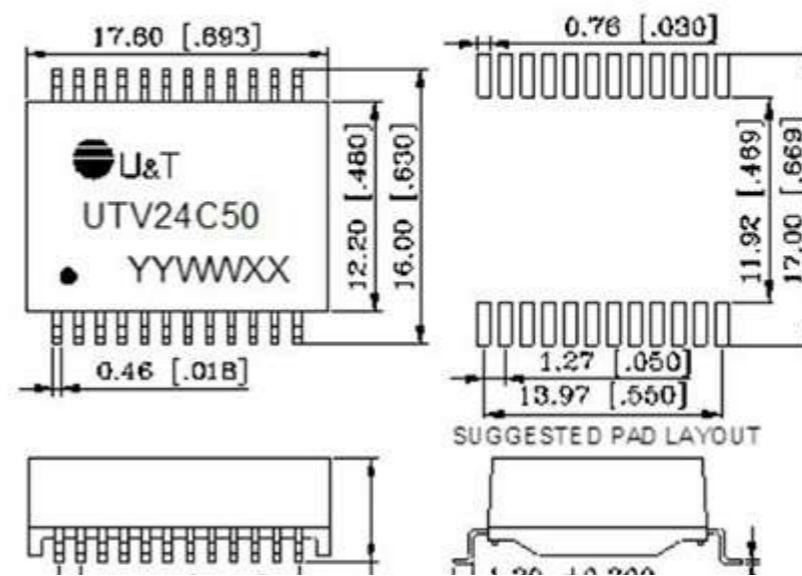
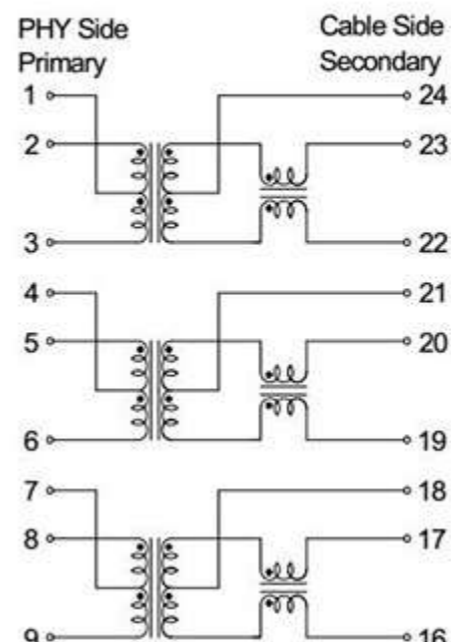
- 5G BASE-T Ethernet Magnetics
- Comply with RoHS requirements.
- Operating temperature range: 0°C to +70°C.

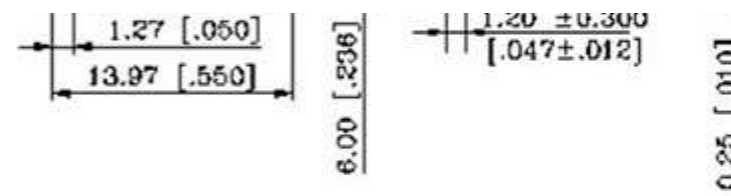
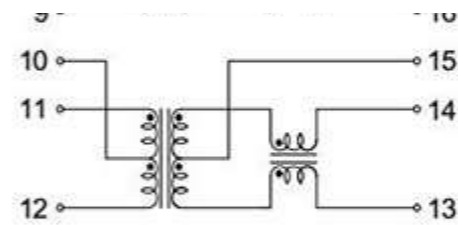
Electrical Specifications @ 25°C

OCL:	180uH Min. @100KHz/0.1V with 8mA DC Bias
Hi-POT :	1500Vrms
Turn Ratio:	1:1±3%
D.C.R:	1.0 ohm Max
Insertion Loss:	1.0dB Max@1-125MHz
	2.5dB Max@125-250MHz
Cross Talk :	30dB Min@1-250MHz
DM-CM Rejection	30dB Min@1-125MHz
	20dB Min@125~250MHz
CM-DM Rejection	30dB Min@1-125MHz
	20dB Min@125~250MHz
Return Loss:	16dB Min @1-40MHz
	16-10log(f/40MHz)dB Min@40-250MHz

Schematic

Mechanical





1.Unless otherwise specified, all tolerances are ± 0.25 [.01]

2.Coplanarity: 0.1 [.004]

3.Unit mm[inch]

[Http://www.utlimited.com](http://www.utlimited.com)

E-mail:sales@utlimited.com

Tel:+86-752-2761008

Fax:+86-752-2761009

Key words :

LINK:

U&T HL TECHNOLOGY GROUP LIMITED



ADD: Honglin Industrial Park, Dongjiang Hi-tech Zone, Huicheng District, Huizhou City, Guangdong Province, P.R.C.
 Zip Code: 516000
 TEL: 0752-2761008
 FAX: 0752-2761009
 Email: sales@utlimited.com

About Us

Company Profile
 Development
 Company Culture
 Enterprise Honor

Products

2.5&5&10G Base-T
 100 Base-T
 1000 Base-T

Brand Value

R & D Advantage
 Advantages
 Quality
 Certification

News

Company News
 Industry Information

Recruitment

Positions

Contact

Contact Us
 Map
 Messages