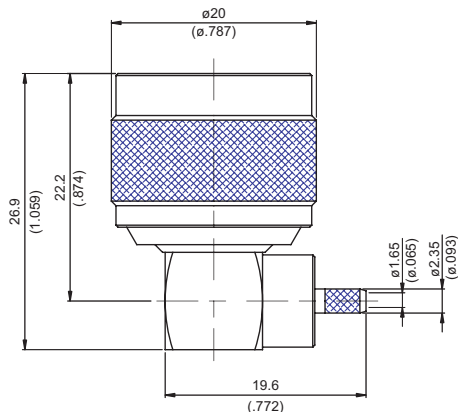
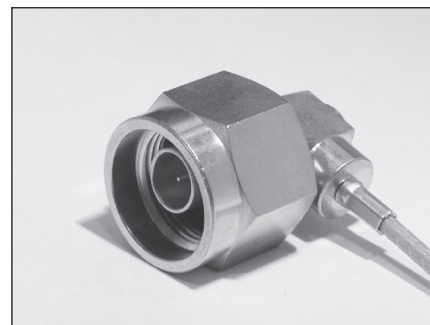
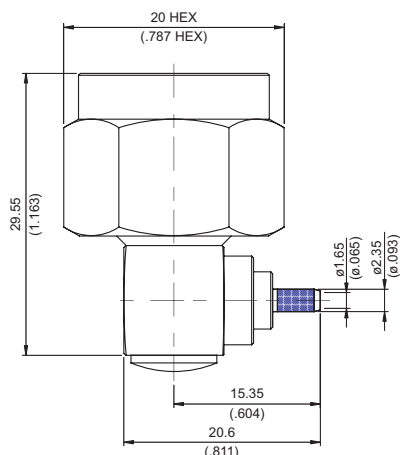


► **N PLUG CRIMP RIGHT ANGLE**



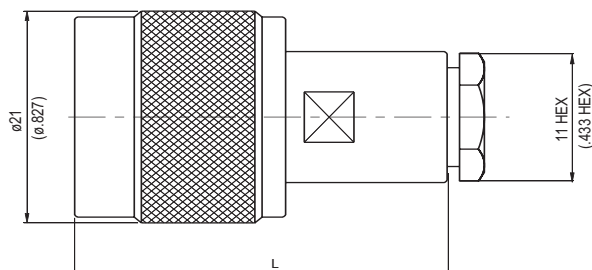
Part Number	Weight	Material	Suitable Cables	Remarks
N3100-9316	31.10g	A11	RG174, RG188, RG316, RG316-E, RG316-FEP, JBY100	
N3100D-9316	30.98g	A11	RD316, RG316D-E, RD316-FEP	D=Equivalent cable RD 316

► **N PLUG CRIMP RIGHT ANGLE**



Part Number	Weight	Material	Suitable Cables	Remarks
N3100A-9316		A11	RG174, RG188, RG316, RG316-E, RG316-FEP, JBY100	A= Hex Nut
N3100AD-9316	34.44g	A11	RD316, RG316D-E, RD316-FEP	D=Equivalent cable RD 316; A= Hex Nut

► **N PLUG CLAMP**



Part Number	Measurements	Weight	Material	Suitable Cables	Remarks
N3200B-0058	L=32.0 (1.26)	34.60g	A11	RG55, RG58, RG142, RG142-E, RG223, RG400, JBY195	
N3200-0059	L=32.6 (1.28)	34.03g	A11	RG59	Impedance=75ohm
N3200BA-0058	L=32.0 (1.26)		A11	RG55, RG58, RG142, RG142-E, RG223, RG400, JBY195	A=Shell 20mm HEX
N3200A-0059	L=32.6 (1.28)	35.5g	A11	RG59	Impedance=75ohm; A=Shell 20mm HEX