

4

3

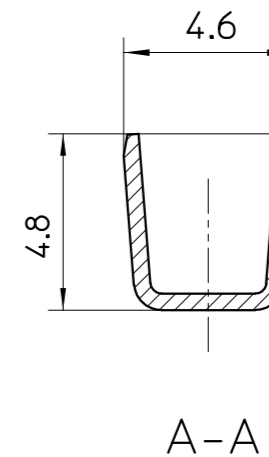
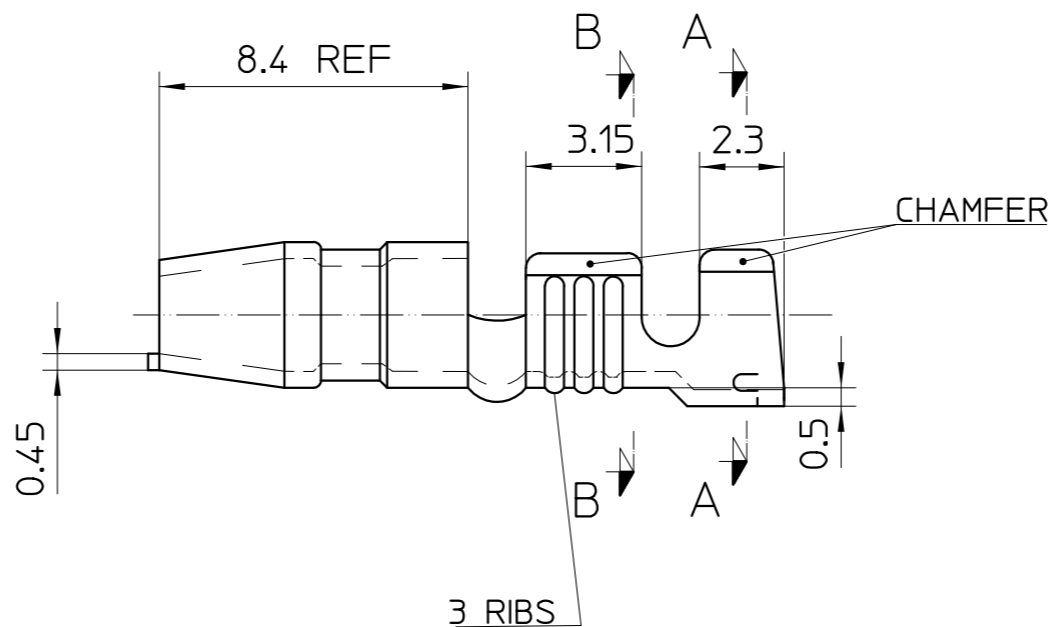
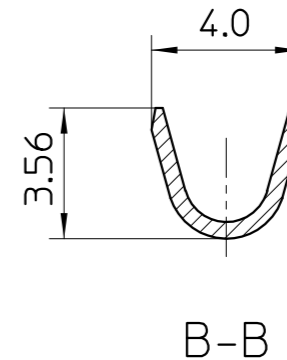
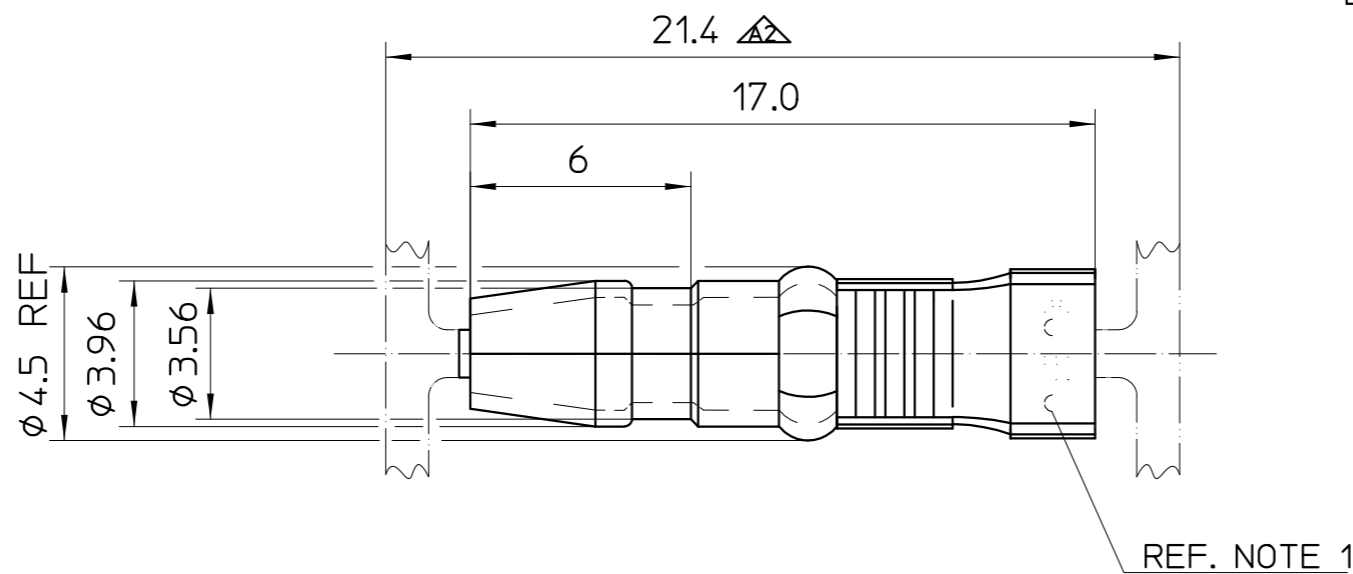
2

1

THIS DRAWING IS UNPUBLISHED. RELEASED FOR PUBLICATION
 © COPYRIGHT BY TYCO ELECTRONICS CORPORATION. ALL RIGHTS RESERVED.

LOC U
 DIST -

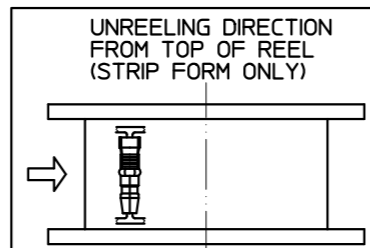
REVISIONS					
P	LTR	DESCRIPTION	DATE	DWN	APVD
	A	REDRAWN - WAS UTX DRG N° 01.02782.01	10 SEP 08	W.M.	W.R.
	A1	ECR-09-004847 P/N 1-1627117-4 ADDED	03 MAR 09	WR	WR
	A2	ECR-09-0019053 - STRIP DIM. CORRECTED	03 SEP 09	WR	WR



NOTES:

- 1. 'UTILUX' OR 'AMP' LOGO STAMPED AS REQUIRED.
- 2. WIRE RANGE:
 CONDUCTOR: 0.75 - 1.5mm²
 INSULATION: ϕ 3.3mm MAX.

THIS INFORMATION IS CONFIDENTIAL AND PROPRIETARY TO TYCO ELECTRONICS CORPORATION AND ITS WORLDWIDE SUBSIDIARIES AND AFFILIATES. IT MAY NOT BE DISCLOSED TO ANYONE OTHER THAN TYCO ELECTRONICS PERSONNEL WITHOUT WRITTEN AUTHORIZATION FROM TYCO ELECTRONICS CORPORATION, HARRISBURG, PENNSYLVANIA, USA.



\triangle	LOOSE PIECE IN PACKS OF 10000	BRASS ALLOY C26000	TERMINAL, BULLET (H2782/10000)	1-1627117-4		
	CONTINUOUS STRIP FORM IN REELS OF 3000	BRASS ALLOY C26000	TERMINAL, BULLET (H2782/R3000)	1-1627117-2		
	PACK SIZE	MATERIAL DESC.	DESCRIPTION (UTXP/N:)	PART No.		
THIS DRAWING IS A CONTROLLED DOCUMENT.		DWN: V.MEDOVIKOV 10 SEP 08	Kingsgrove AUSTRALIA			
ALL DIMENSIONS IN mm:		CHK: W.RIEDE 10 SEP 08				
TOLERANCES UNLESS OTHERWISE SPECIFIED: DIMENSION (mm) TOLERANCE(+mm) LESS THAN 10 0.4 OVER 10 TO 30 0.5 OVER 30 TO 80 0.7 OVER 80 TO 250 1.0 ANGLES $\pm 2^\circ$		APVD: W.RIEDE 10 SEP 08				
		PRODUCT SPEC: -	NAME: TERMINAL, BULLET			
MATERIAL REF BLOCK		APPLICATION SPEC: -				
FINISH NATURAL		WEIGHT: -	SIZE A3	CAGE CODE	DRAWING NO C-1627117	RESTRICTED TO -
CUSTOMER DRAWING			SCALE 5:1	SHEET 1 OF 1	REV A2	