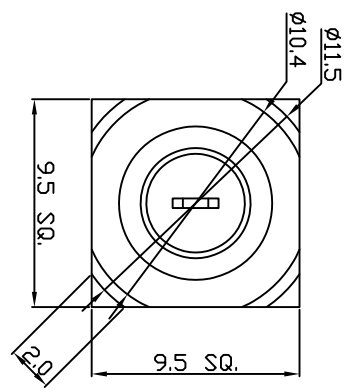
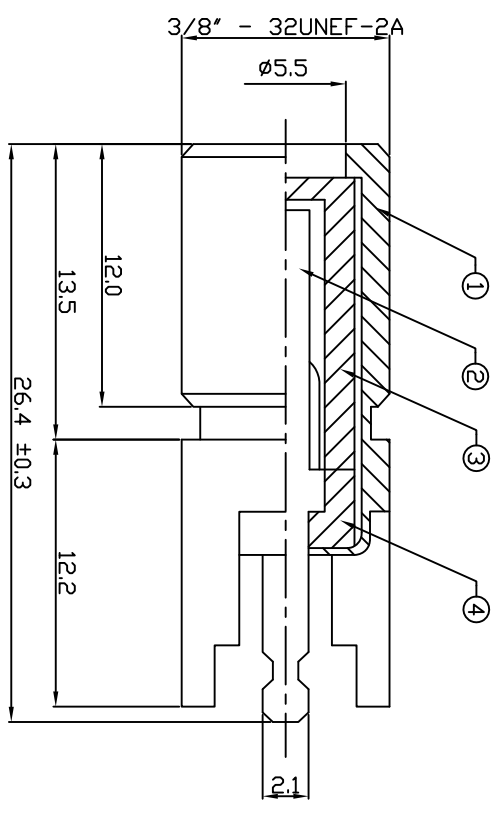


Rev	AWO #	Description	Date	Appr
-		RELEASED	3/13/06	

APPROVED: _____
 DATE: _____ TITLE: _____



No.	DESCRIPTION	QTY	MATERIAL	FINISH
4	INSULATOR	1	POLYPROPYLENE	WHITE
3	INSULATOR	1	POLYPROPYLENE	WHITE
2	PIN	1	PHOSPHOR BRONZE	GOLD
1	BODY	1	BRASS	NICKEL

SPECIFICATIONS:

Electrical:

Nominal Impedance: 75 ohms
 Frequency range: 0-4 GHz
 Maximum peak voltage: 500V
 Insulation resistance: 5000 Mohm min @ 500 VDC
 Dielectric withstanding voltage: 1500 VAC rms
Environmental:
 Lead free, RoHS compliant.



UNLESS OTHERWISE SPECIFIED
 ALL DIMENSIONS ARE INCHES [MM]
 TOLERANCES: EXCEPT AS NOTED
 INCHES HOLES
 .X ± .10 Ø.X ± .10
 .XX ± .020 Ø.XXX ± .015
 .XXX ± .015 Ø.XXXX ± .010

ADAM TECH

909 Rahway Avenue, Union, NJ 07083
 Phone: 908-687-5000 Fax: 908-687-5710

F TYPE FEMALE, PCB, 75 OHM
 POLYPROPYLENE INSULATOR

RF4-10-P-00-75-G

APPROVALS	DATE
DRAWN SS	3/13/06
CHECKED	
APPROVED	

REF:	SIZE	PART NO.	REV.
X		RF4-10-P-00-75-G	

SCALE: NTS SHEET 1 OF 1