

DASH NO	CABLES ACCOMMODATED	ASSEMBLE PER
-8	B227 BELDEN	TAI-140
-9	TWC-78-2/TWC-24-2	TAI-121
-10	RG-22/754E W.E.CO.	TAI-140
-11	760 W.E.CO.	
-12	16 PEVL W.E.CO./VI/AL GENERAL	TAI-139
-25	T-43M GENERAL	TAI-121
-27	202-3927 MICRODOT	
-29	TWC-78-1/TWC-24-1A	
-46	9860 BELDEN	
-47	M17/176-00002	TAI-121
-49	TWAC-78-1F2	
-55	89272 BELDEN	
-58	51-05091, CHAMPLAIN GC875TM24H, GRUMMAN	

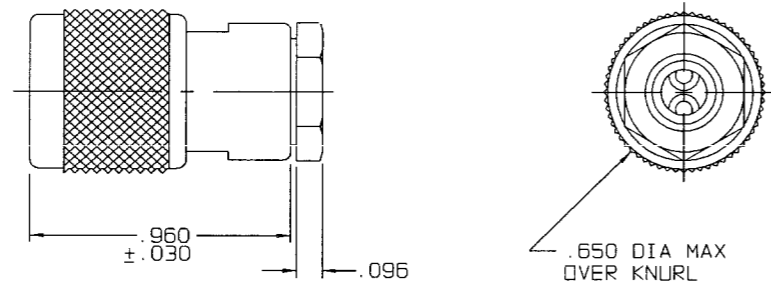
DATA CONTAINED IN THIS DOCUMENT IS PROPRIETARY TO TROMPETER ELECTRONICS, INC. AND SHALL NOT BE DISCLOSED, COPIED OR USED FOR PROCUREMENT OR MANUFACTURE WITHOUT EXPRESS WRITTEN PERMISSION OF TROMPETER ELECTRONICS, INC.

**REVISIONS**

205-0056 SH 1

REV	DESCRIPTION	DATE	APPROVED
C	REVISED PER ECO 15047	5-16-03	AM

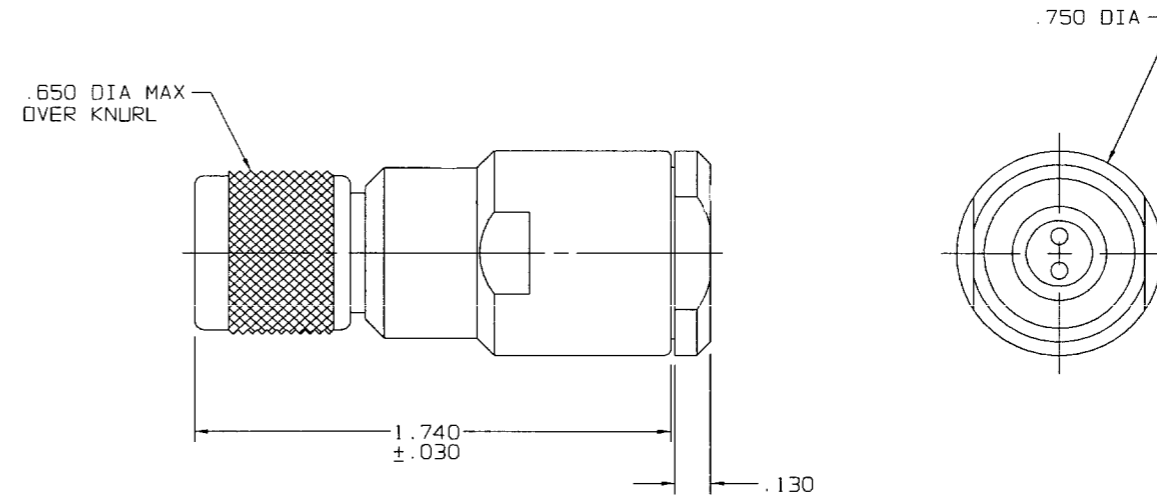
FIG 1 ⚠



-9 SHOWN

-9, -25, -27, -29, -47, -49, -55 & -58

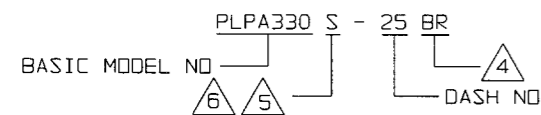
FIG 2 ⚠



-8 SHOWN

-8, -10, -11, -12 & -46

7. EXAMPLE OF COMPLETE MODEL NO:



⚠ IF SAFETY WIRE & BEND RELIEF SPRING REQD ADD SUFFIX "SBR" TO MODEL NO (NOT AVAILABLE WITH CABLE GROUPS -8, -10, -11, -12 & -46)

⚠ IF SAFETY WIRE REQD ADD SUFFIX "S" TO MODEL NO PLPA330S

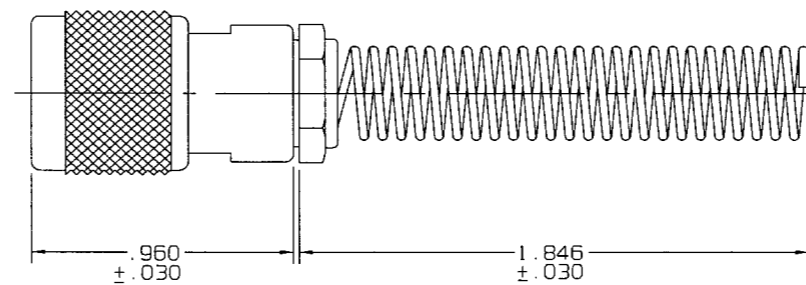
⚠ IF BEND RELIEF SPRING REQD (SEE FIG 3) ADD SUFFIX "BR" TO DASH NO (NOT AVAILABLE WITH CABLE GROUPS -8, -10, -11, -12 & -46)

3. TWINAXIAL TWTNC TYPE, POLARIZED TWO PIN CABLE PLUG, POSITIVE ALIGNING

2. FINISH: TFS-1A (NICKEL)

1. ALL DIM ARE IN INCHES

FIG 3 ⚠⚠



-9BR SHOWN

-9, -25, -27, -29, -47, -49, -55 & -58

INTERPRET DRAWING PER MIL-STD-100 DIMENSIONS ARE IN INCHES AND INCLUDE FINISH THICKNESS UNLESS OTHERWISE SPECIFIED		TOL: UNLESS SPECIFIED .XX .XXX ±.005 .XXXX		<b>TROMPETER</b> ELECTRONICS, INC.
DRAWN AAH	DATE 5-16-03	MATERIAL:	TITLE: PLPA330/S	
CHECKED [Signature]	DATE 5/16/03	FINISH:	SIZE <b>B</b>	CAGE CODE <b>14949</b>
APPROVED [Signature]	DATE 5/16/03	DO NOT SCALE DWG	DRAWING NO. 205-0056	REV. C
NEXT ASSY	CAD FILE NO 205-0056C	SCALE 4/1	DATE 11/20/87	SHEET 1C