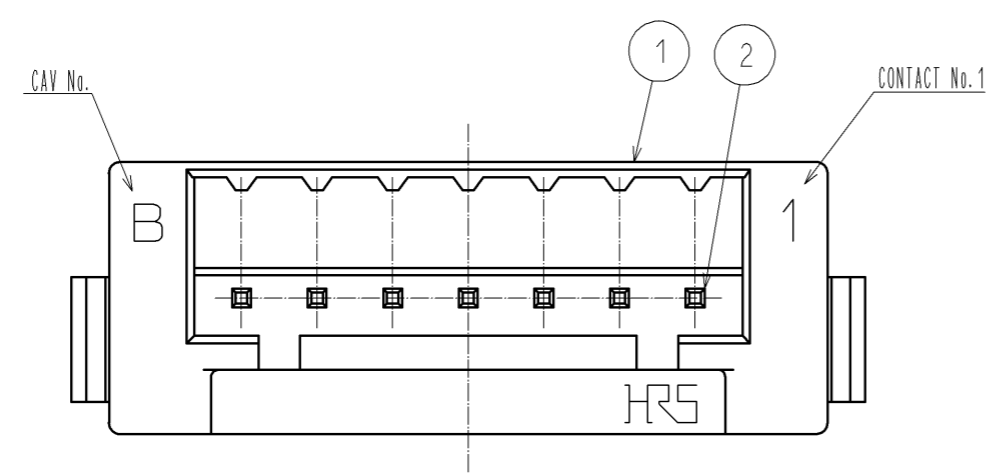
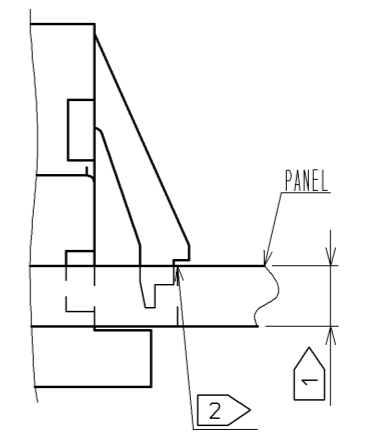
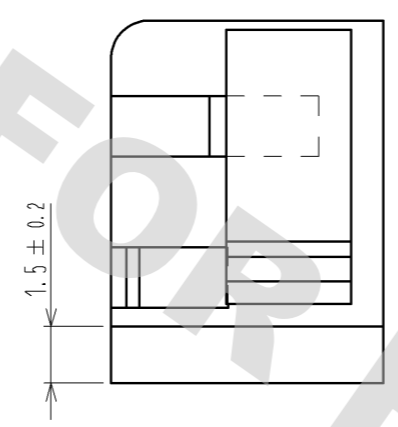
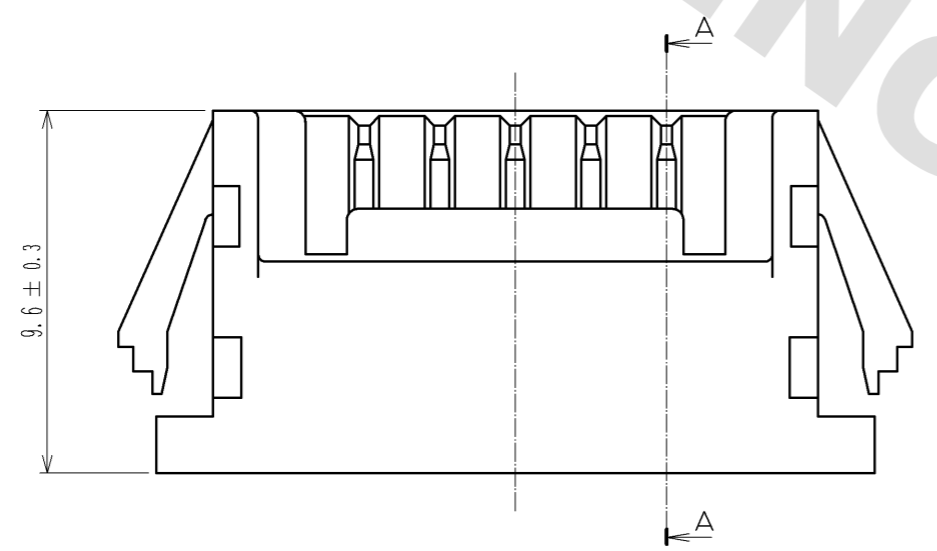
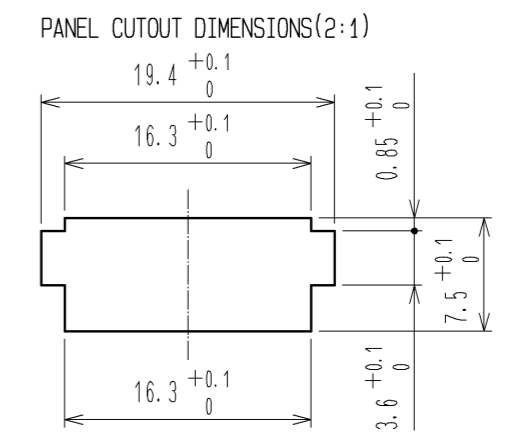
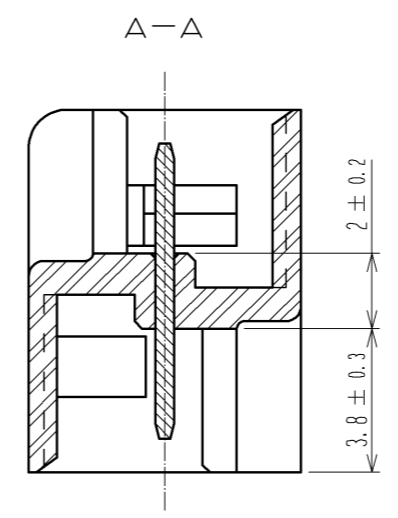
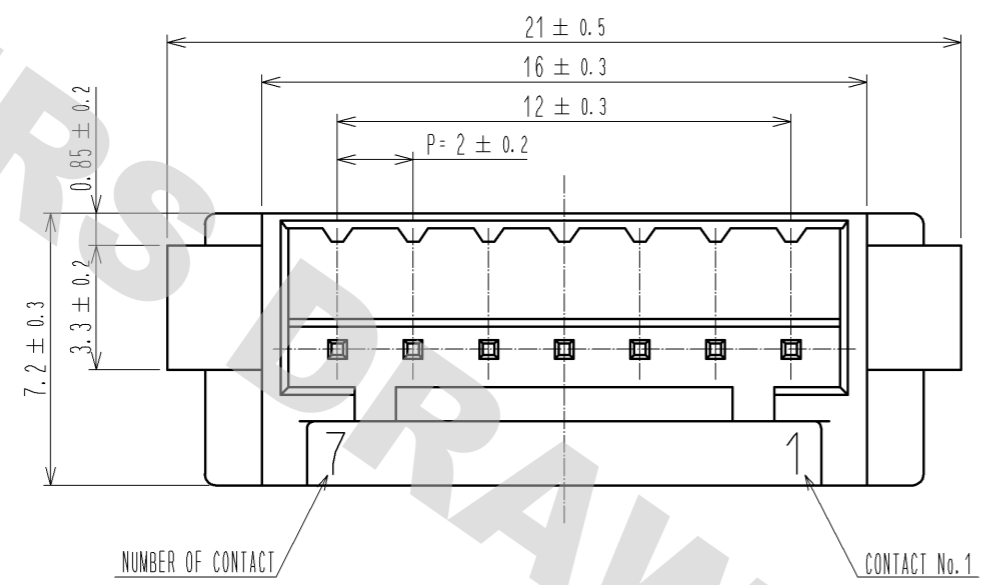


DRAWING FOR REFERENCE: This is subject to change without notice
08/11/2012



NOTE 1 > APPLICABLE PANEL THICKNESS : 1.6~0.8mm
(NOTE THAT SOME LOOSENESS IS UNAVOIDABLE WHEN THE PLUGS ARE MOUNTED ON A PANEL OF OTHER THAN 1.6 OR 2.2mm THICKNESS.)
2 > USE THE SHARP EDGE FOR ENGAGEMENT WITH THE PANEL.

1	POLYAMIDE	UL94V-0. BLACK	2	BRASS	SURFACE:TIN PLATING 1µm min UNDER PLATING:NICKEL PLATED 0.5µm min			
NO.	MATERIAL	FINISH . REMARKS	NO.	MATERIAL	FINISH . REMARKS			
UNITS	mm	SCALE	5 : 1	COUNT	DESCRIPTION OF REVISIONS	DESIGNED	CHECKED	DATE
		APPROVED : TS. SAKATA	08.11.25	DRAWING NO.		EDC3-160485-01		
		CHECKED : TS. KUMAZAWA	08.11.20	PART NO.		DF3-7EP-2A		
		DESIGNED : KT. ISHII	08.11.19	CODE NO.		CL543-0272-0-00		
		DRAWN : KT. ISHII	08.11.19			1/1		