

# T-1 3/4 SUB-MINIATURE LAMP

## Socket and Fresnel Lens

- Flange Base Socket for Model MF200

### TO ORDER, FOLLOW THE EXAMPLE:

Select one **BOLD** component from each SHADED column in the tables below.

<b>1</b> Socket		
MFS1-B		
<b>1</b> Model	<b>2</b> Lens Diffusion	<b>3</b> Lens Color
MF61	-C	R

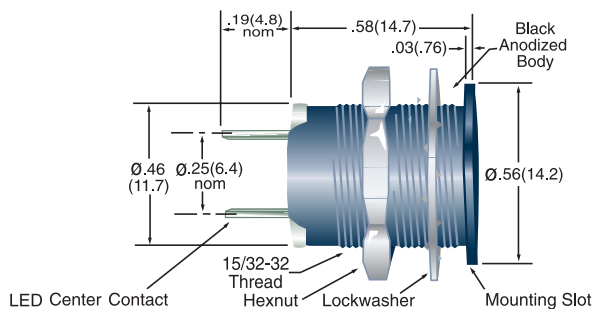
→ Part Number **MFS1-B** (Socket)  
**MF61-CR** (Model MF61, Clear Red Lens)

SOCKET	
1 Part #	Description
MFS1-B <sup>[1]</sup>	For Use With Model MF200 and MF61 lens

Lens (For Use With MFS1-B Socket)		
1 MODEL	2 Lens Diffusion	3 Lens Color
MF61	-C Clear	R Red
	-N Diffused	A Amber
		Y Yellow
		G Green
		B Blue
		W Water Clear
		-S <sup>[2]</sup> Smoke



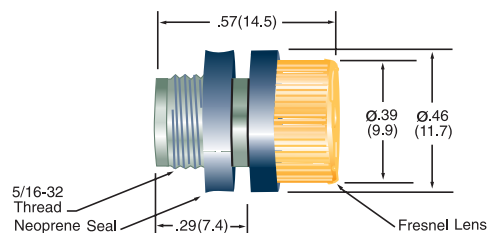
### MFS-1



[1] For Mounting Diameter .470" +/- .005"; Panel Thickness 1/16" to 5/16".

[2] Do not select a Diffusion Code (e.g. MF61-S).

### MF61



### All dimensions are in inches (mm)

Tolerances: .xx"(x) ±.025"(.63) / .xxx"(xx)±.010"(.25)  
Specifications are subject to change without notice.