

**NEW**  

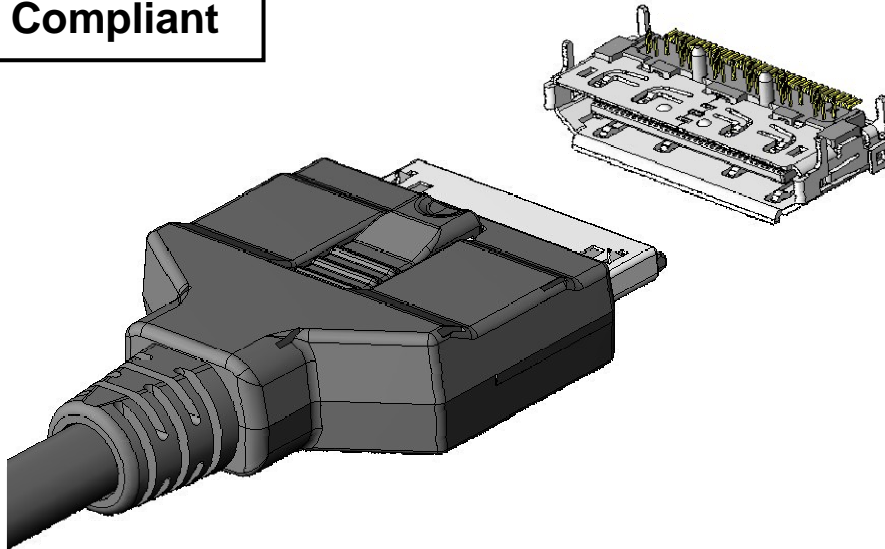

PCI Express Cable Connector

**DL1 Series**

CONNECTOR

MB-0204-2

February 2010

**RoHS Compliant**

The DL1 Series has been developed for ATI XGP™ and is compatible with PCI Express signals.

\*ATI XGP™ : ATI External Graphics Platform. Visit <http://ati.amd.com/technology/xgp/>

**Features**

- Mating area has 0.7mm pitch, 2-row structure.
- Compatible with high speed transmission compliant with PCI Express.
- Receptacle size is 6.1 mm height, 13.2 mm depth, 32.35 mm width.
- Hot plugging structure in which ground contacts mate first.
- Easy insertion and removal due to mechanical lock retention structure.
- The same connector is on both ends of cable, wiring allows cable attachment in either direction.

**General Specifications**

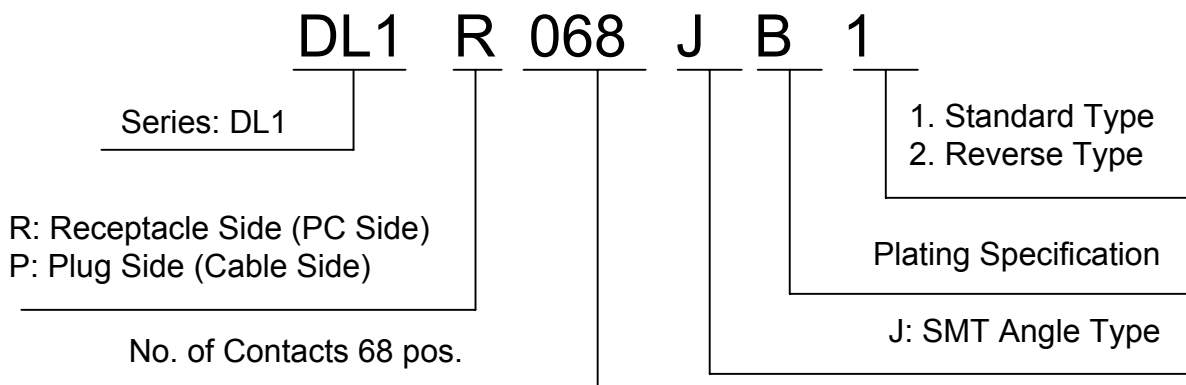
- No. of Contacts: 68 pos.
- Contact Resistance: 80m ohm max. (initial), 100m ohm max. (after test)
- Dielectric Withstanding Voltage: AC300Vrms per minute
- Rated Current: 0.5A/ per pin
- Insulation Resistance: 10M ohm max. (after test)
- Mating Cycles: 10,000 times
- Operating Temperature: -20 Deg. C to +85 Deg. C

Materials and Finishes

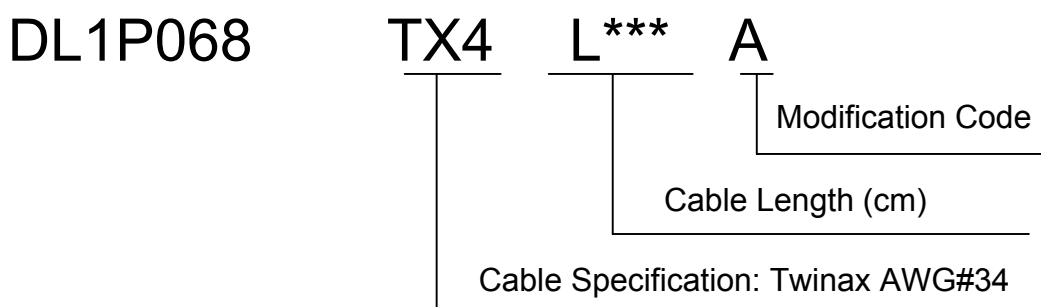
Component	Material / Finish
Receptacle	
Signal Contact	Copper alloy / Connection area: 0.3μm min. Au plating over Ni
Insulator	Heat-resistant plastic
Shell	Copper alloy / Sn plating
Plug	
Signal Contact	Copper alloy / Connection area: 0.3μm min. Au plating over Ni
Insulator	Heat-resistant plastic
Shell	Copper alloy / Sn plating
Hood	PC / color: black

Ordering Information

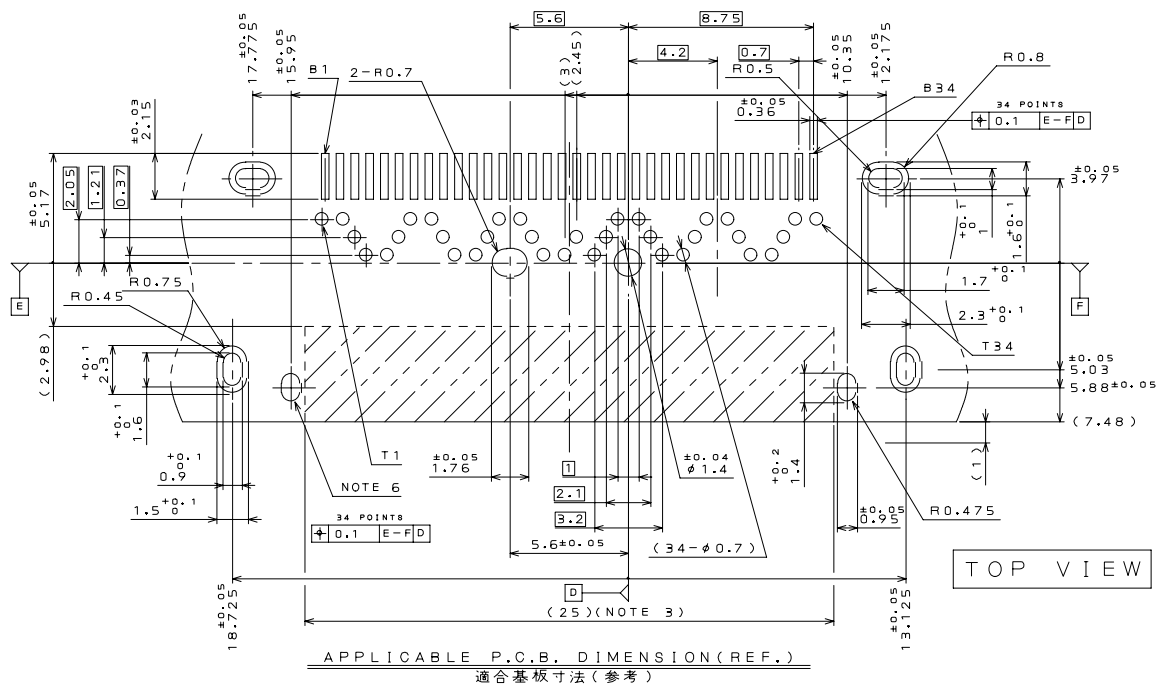
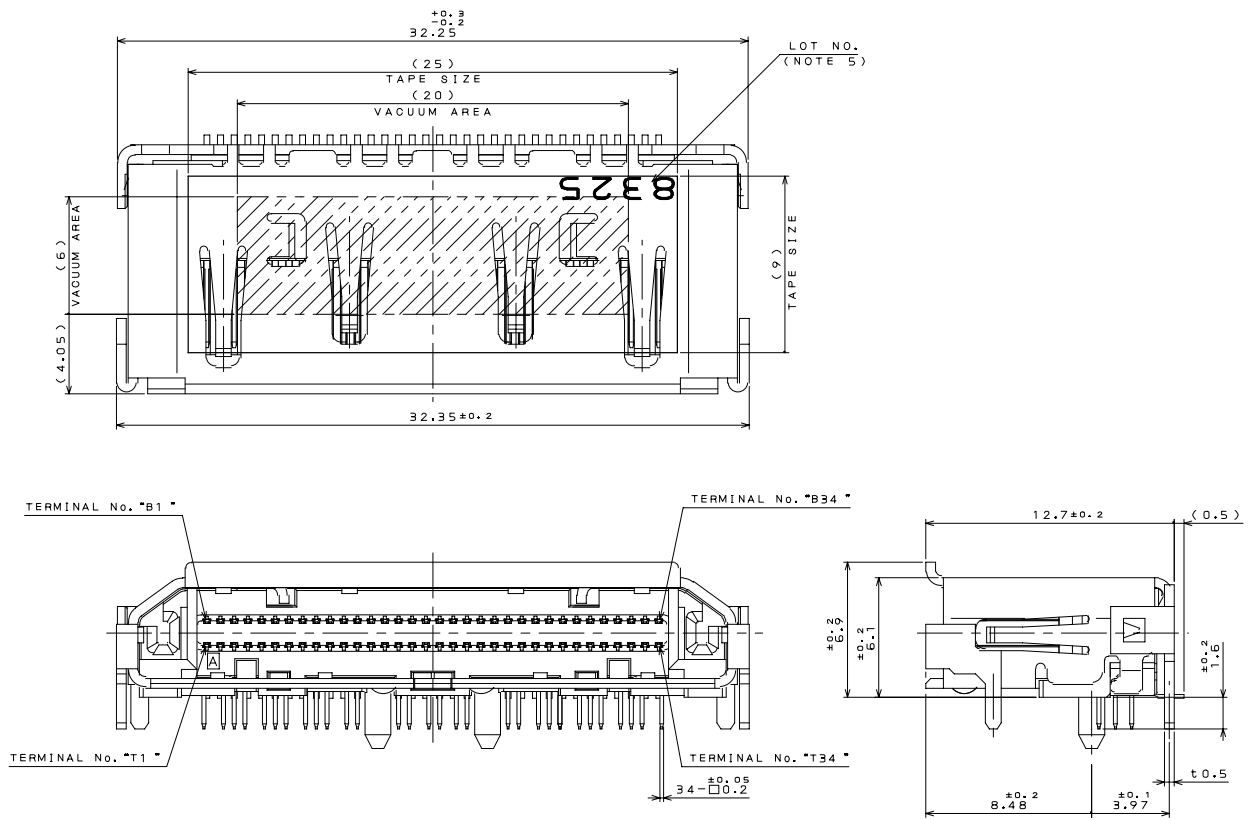
Receptacle



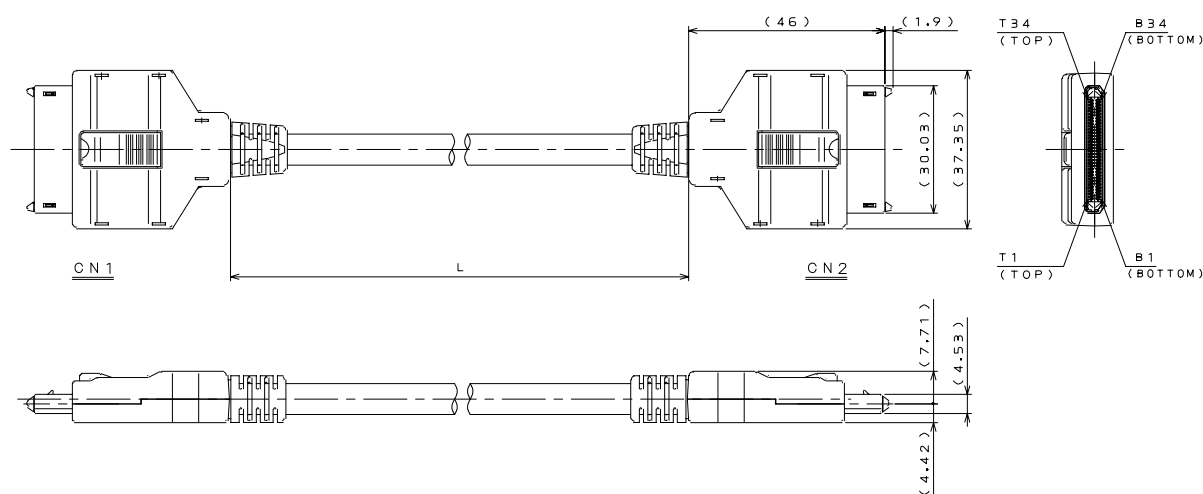
Plug



# DL1R068JB2



## DL1P068TW4L050A



図面番号
------

Part Number	SJ Drawing	Specification
Receptacle		JACS-10468
DL1R068JB1	SJ107993	
DL1R068JB1R300	SJ110020	
DL1R068JB2	SJ108258	
DL1R068JB2R300	SJ108395	
Plug		
DL1P068TX4L050A	SJ107996	
DL1P068TX4L100A		
DL1P068TX4L200A		

**Notice:** Products shown in this leaflet are made for the applications listed below. However, if the above-mentioned products are to be used in aerospace devices, marine cable-connection devices, atomic power control systems, medical equipment for life-support systems, or any other specific application requiring extremely high reliability, please contact JAE for further information.

Recommended applications: computers, office machines, measuring devices, telecommunication devices (terminals, mobile devices), AV devices, household applications, FA devices, etc.

### Japan Aviation Electronics Industry, Limited

Product Marketing Division

Aobadai Building, 3-1-19, Aobadai, Meguro-ku, Tokyo 153-8539

Phone: +81-3-3780-2787 FAX: +81-3-3780-2946

\* The specifications in this brochure are subject to change without notice. Please contact JAE for information.

JAE PMK Div. Proprietary. Copyright © 2010. Japan Aviation Electronics Industr. Ltd.