

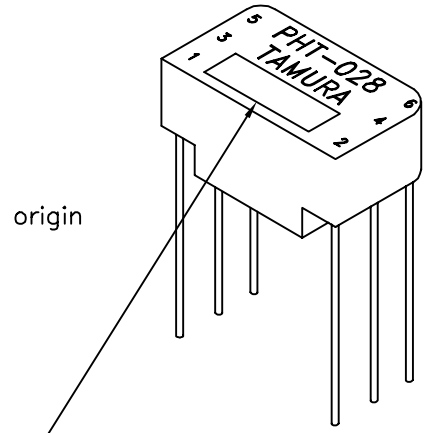
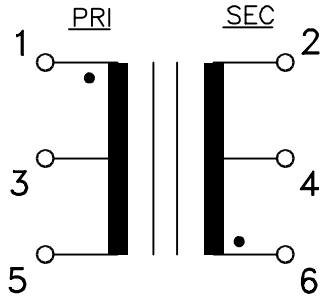
A. Electrical specification (@ 25°C)

1. Dielectric strength;
350 Vrms 5 seconds @ Pri to Sec cutoff current 1mA
2. Insulation resistance;
10 MΩ MIN @ DC50V
3. Turns ratio;
(1-5) : (2-6) = 1 : 1 ±2%
(1-3) : (2-4) = 1 : 1 ±2%
4. Primary open circuit inductance;
2.9 mH MIN @ 100 KHz, -55°C, 25°C, 125°C
5. Primary ET-constant
20V μ sec MIN
6. Interwinding capacitance between primary and secondary;
25 PF MAX @ 100 KHz, 0.1V
7. Primary leakage inductance with shorted secondary;
2.25 μ H MAX @ 100 KHz, 0.1V
8. DC Resistance;
(1-5) = 1.25 Ω MAX
(2-6) = 1.25 Ω MAX
(1-3) = 0.62 Ω MAX
(3-5) = 0.62 Ω MAX
(2-4) = 0.62 Ω MAX
(4-6) = 0.62 Ω MAX

B. Marking;

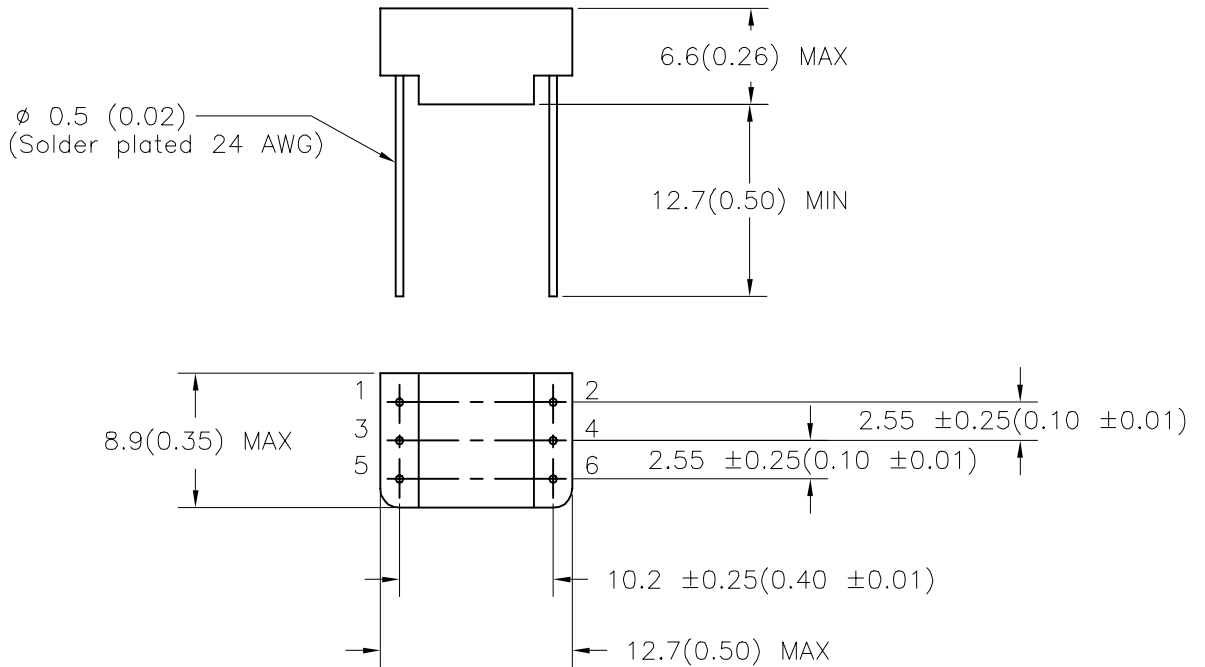
PHT-028, TAMURA, date code and country of origin

C. Schematic diagram



Date code and country of origin

D. Mechanical Specification



PREPARED BY:

K. Brennan

ENGINEER:

T. Shiozawa

QUALITY CONTROL:

D. Kelley

APPROVED:

M. Ong

DWG CONTROL NO.
P-A1-10693
ACAD\A1106931.DWG

REV
-

PULSE
TRANSFORMER

TAMURA CORPORATION OF AMERICA
43352 BUSINESS PARK DRIVE, TEMECULA, CA. 92590-6624
(909) 699-1270 FAX 9096769482

PHT-028

MODEL SPECIFICATION
DIM: mm(In) SCL: NONE SH: 1 OF 1

PROPRIETARY NOTICE: THIS DRAWING PRINT OR DOCUMENT AND SUBJECT MATTER DISCLOSED HEREIN ARE PROPRIETARY ITEMS TO WHICH TAMURA RETAINS THE EXCLUSIVE RIGHT OF DISSEMINATION, REPRODUCTION, MANUFACTURE AND SALE. THIS DRAWING, PRINT OR DOCUMENT IS SUBMITTED IN CONFIDENCE FOR CONSIDERATION BY THE RECIPIENT ALONE UNLESS PERMISSION FOR FURTHER DISCLOSURE IS EXPRESSLY GRANTED IN WRITING.