

ADVANCE INFORMATION

First Page of Data Sheet in Preparation



±20,000 Count ADC with Parallel Interface

MAX135

General Description

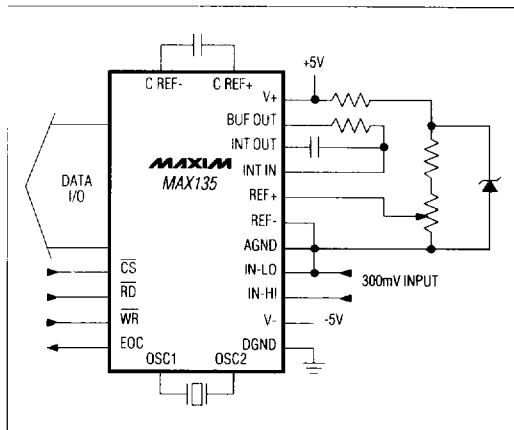
The MAX135 is a CMOS, ±20,000 count parallel-output analog-to-digital converter (ADC). Multi-slope integration provides high-resolution conversions in less time than standard integrating ADCs. The MAX135 converts up to 200 conversions per second. Low conversion noise allows specifying electrical characteristics with a full scale of only 300mV (15μV per count). A simple 8-bit parallel data bus and three control lines easily interface to all common microprocessors. Twos complement output simplifies decoding of bipolar measurements.

Supply current is 65μA during normal operation and only 5μA in standby mode. The MAX135 fits in a 28-pin DIP or Small Outline package, both commercial and extended temperature ranges are available. High resolution and compact size make this device ideal for data loggers, weigh scales, data-acquisition systems, and panel meters.

Applications

- Data Acquisition
- Control Applications
- Measurement of Analog Signals
 - Pressure
 - Resistance
 - Flow
 - Temperature
 - Voltage
 - Power
 - Current

Functional Diagram



Features

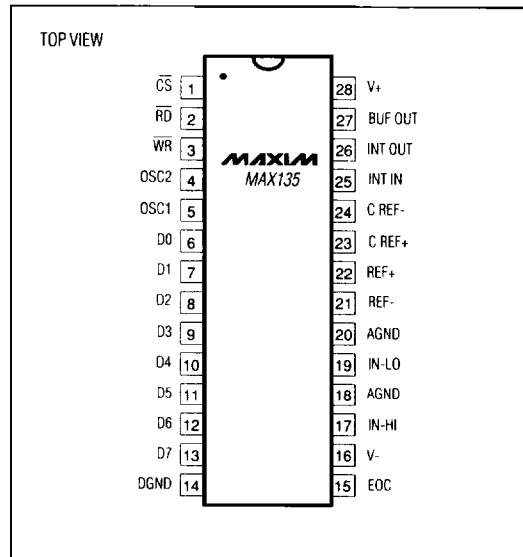
- ◆ ±20,000 Count Resolution
- ◆ Conversion Rate up to 200 per Second
- ◆ Integrating ADC - Low Noise
- ◆ ±5V Supplies, 65μA Operation Current
- ◆ 5μA Standby Current
- ◆ Digital Zero Reading on Command
- ◆ 8-Bit Parallel Twos Complement Interface
- ◆ Three-State Logic Outputs

Ordering Information

PART	TEMP. RANGE	PIN-PACKAGE
MAX135CPI	0°C to +70°C	28 Plastic DIP
MAX135CWI	0°C to +70°C	28 Wide SO
MAX135C/D	0°C to +70°C	Dice*
MAX135EPI	-40°C to +85°C	28 Plastic DIP
MAX135EWI	-40°C to +85°C	28 Wide SO
MAX135EJI	-40°C to +85°C	28 CERDIP

* Contact factory for dice specifications.

Pin Configuration



7



MAXIM is a registered trademark of Maxim Integrated Products.