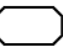
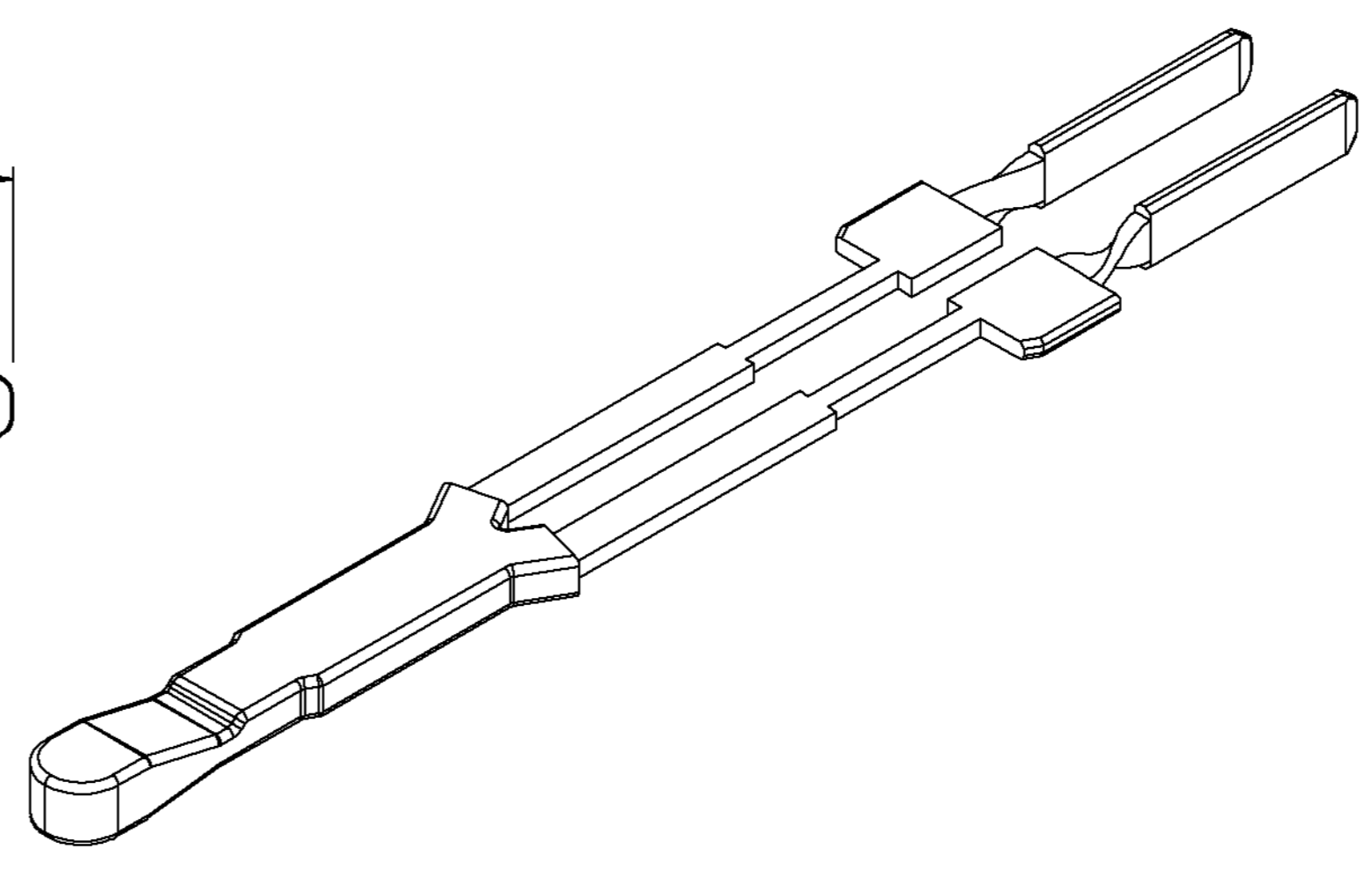
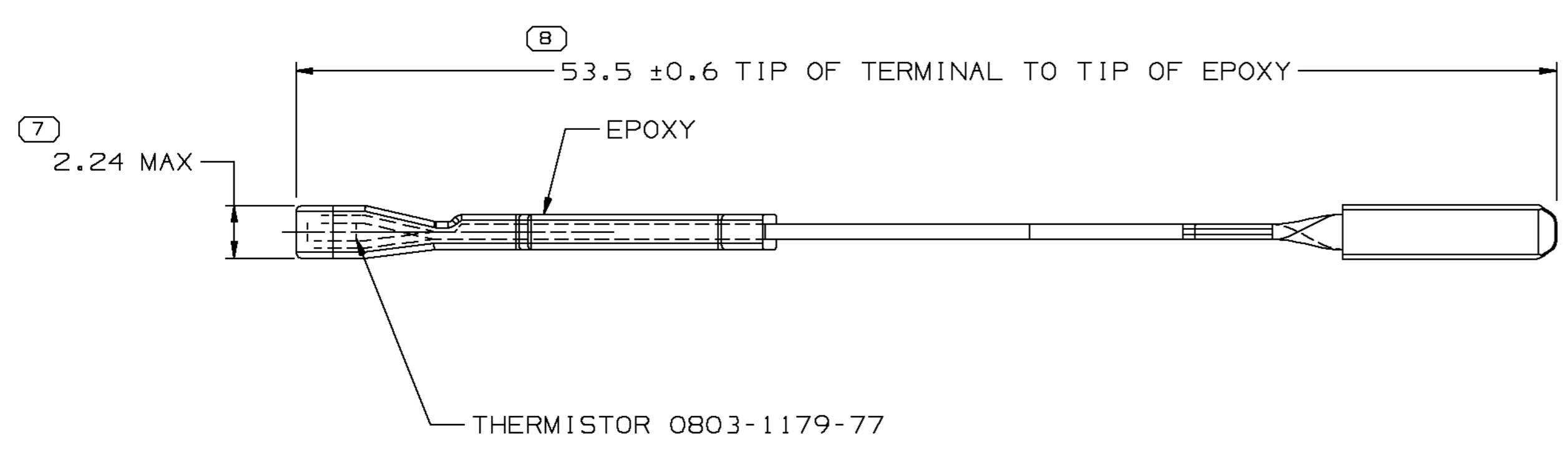
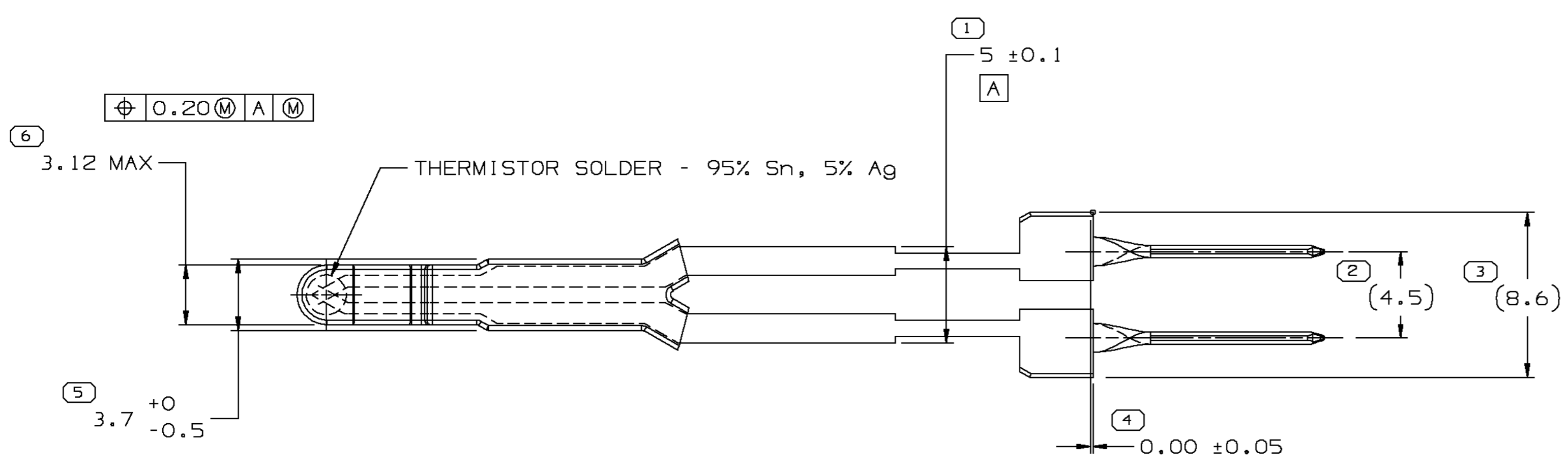


SYMBOL DEFINITION	
A DIMENSION WITHOUT AN INSPECTION REPORT SYMBOL  DOES NOT REQUIRE INSPECTION. IT MAY BE CONTROLLED ON THE INDIVIDUAL COMPONENT DRAWING.	TOTAL NO OF INSPECTIONS REQUIRED
	8
	LAST NO. USED
	8

MISSING SYMBOLS	DWG STATUS					ZONE	REVISION HISTORY	AUTH	DR	CK	APVD
	DATE	STG	REV	CHG	N/P						
NO MISSING SYMBOL NUMBER	13MRO1	R	B2	-	-		REDRAWN TO PD/TQD, UPDATED PDM ATTRIBUTES	206480	JMR	JMR	JC



VIEW SCALE DOES NOT REFLECT ACTUAL PART SIZE

- NOTES:
- UNLESS OTHERWISE SPECIFIED AND/OR INDICATED: DIMENSIONS ARE TO FACE OF VIEW SHOWN AND AUTOMATICALLY ROUNDED BY COMPUTER FOR INSPECTION. (SEE MATH MODEL FOR PRECISE DIMENSION) FOR ALL OTHER DIMENSIONS NOT SHOWN BUT REQUIRED FOR TOOL BUILD, SEE MATH MODEL FOR PRECISE TOOL PATH DATA.
  - DIMENSIONS MARKED ( ) ARE FOR REFERENCE ONLY AND NO TOLERANCE LIMITS ARE ESTABLISHED.
  - PART INSPECTION TO BE COMPLETED WITH THERMISTOR ASM ASSEMBLED TO BANDOLIER.

PROCESS SENSITIVE DIMENSION	
DIMENSIONS ENCLOSED IN ( ) INDICATE REFERENCE DIMENSIONS AND NO TOLERANCE LIMITS ARE ESTABLISHED	
DIMENSIONAL RANGE (MM)	CHART D
FROM 0	> 12
TO 12	
TOLERANCE UNLESS OTHERWISE SPECIFIED	
+0.1	+0.2
ANGULAR TOLERANCE ± 2°	

<b>DELPHI</b> Automotive Systems			
MATERIAL SPEC			
SUBSTANCES OF CONCERN AND RECYCLED CONTENT PER DELPHI-A 10949001			
PART DRAWING			DISTR CODE
CODE NUMBER 6901	DWG DATE 07JN96	SCALE 5:1	D
QC SPEC	STYLE	VOLUME cm <sup>3</sup>	
PART GEOMETRY 3D SOLID	UNLESS OTHERWISE SPECIFIED: THIS DOCUMENT IS IN ACCORDANCE WITH ASME Y14.5M - 1994 AS AMENDED BY THE GM GLOBAL DIMENSIONING AND TOLERANCING ADDENDUM - 1997. ALL GEOMETRIC TOLERANCES AND RELATED DATUMS APPLY RFS. RULE #1 (PERFECT FORM AT MMC) DOES NOT APPLY WHEN RELATIONSHIP BETWEEN FEATURES IS ESTABLISHED BY ORIENTATION OR LOCATION TOLERANCES. SEPARATE POSITION CALLOUTS MAY BE GAGED SEPARATELY REGARDLESS OF DATUM REFERENCES.		
COPY OF MATH DATA DO NOT SCALE	REFERENCE	DR	DATE
		APVD1 RUBEN ORTIZ	07JN96
METRIC UNLESS OTHERWISE SPECIFIED, ALL DIMENSIONS ARE IN MILLIMETERS		APVD2 J VAZQUEZ S	12JN96
		APVD3 M. BOEHM	12AU96
		APVD4	
	APVD5		
THIRD ANGLE PROJECTION	DRAWING NAME		
	ASM TERM M 090 THERMISTOR		
SHEET NUMBER 1 OF 1	DRAWING NUMBER 15305140	DWG STATUS STG REV N/P R B2 -	SIZE A1