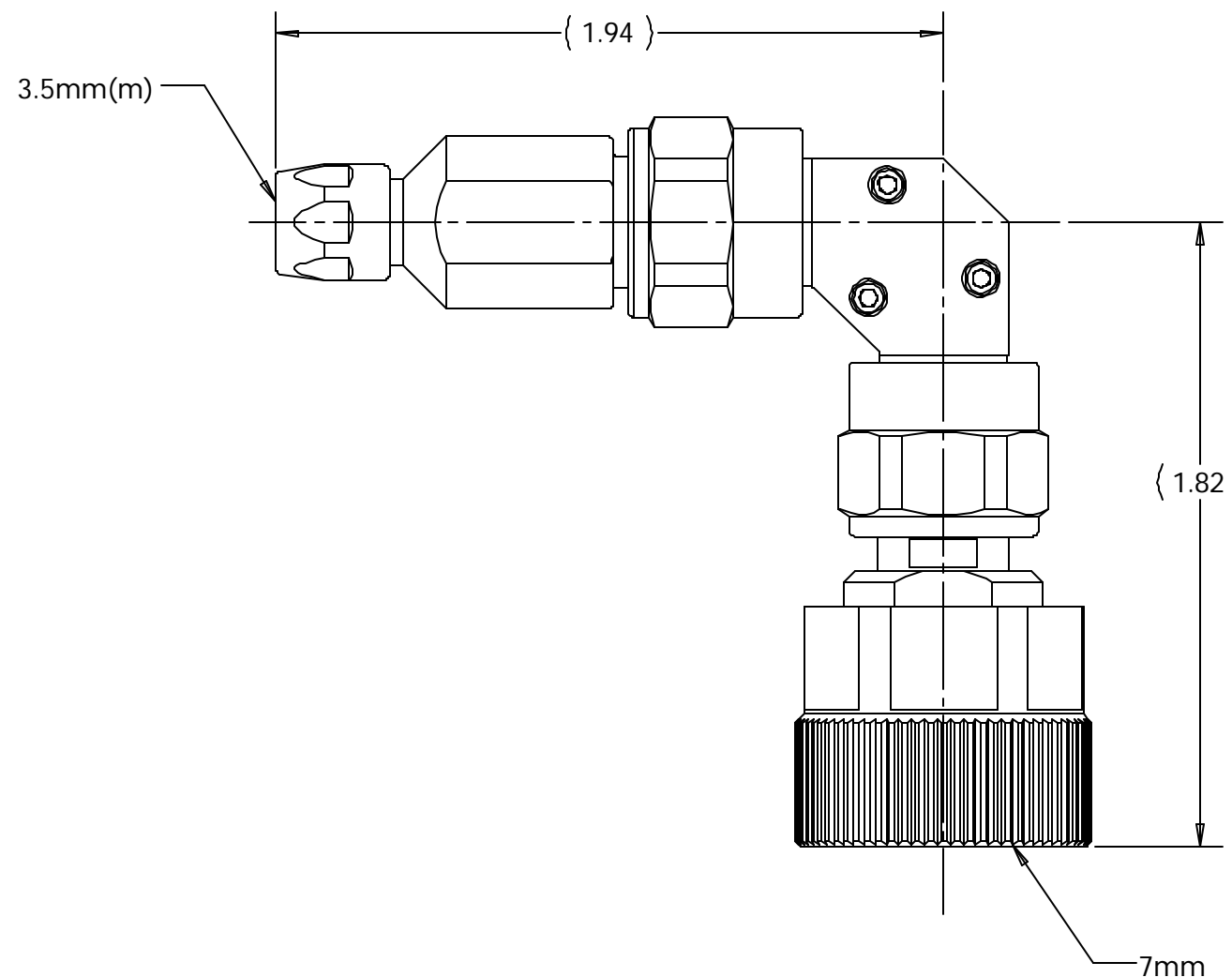


This document, including the design, configuration and mechanical features revealed herein are the sole, confidential and proprietary property of TRU Corporation. Reproduction or use thereof, in whole or part, is prohibited without the prior written consent of TRU Corporation.

REV.	DESCRIPTION	DATE	APPROVED
-	ORIGINAL ISSUE	09/21/09	AM



**ENGINEERING DATA**

ELECTRICAL

IMPEDANCE: 50 OHMS NOMINAL  
 FREQUENCY RANGE: .05 to 18 GHz  
 VSWR MAX: 1.30:1

MECHANICAL

3.5mm(m) IEEE 287  
 7mm INTERFACE PER IEC 457-2

MATERIAL


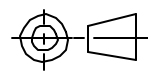
3.5mm(m) CONTACT: BRASS  
 7mm CONTACT: BERYLLIUM COPPER  
 3.5mm(m) & 7mm BODIES: STAINLESS STEEL  
 COUPLING NUTS: STAINLESS STEEL  
 BEADS: TPX & NORYL

FINISH

3.5mm(m) & 7mm BODIES: GOLD PLATED  
 COUPLING NUTS: PASSIVATED  
 CONTACTS: GOLD PLATED

**NOTES:**

1. UNLESS OTHERWISE SPECIFIED; ALL DIMENSIONS ARE REFERENCE ONLY.

MATERIAL	DO NOT SCALE DRAWING	DRAWN MVC	DATE 09/17/09	 <b>TRU CORPORATION</b> 245 LYNNFIELD STREET, PEABODY, MA 01960 The Custom Interconnect Leader™
	UNLESS OTHERWISE SPECIFIED: DIMENSIONS ARE IN INCHES	ENG APPR. AM	DATE 09/21/09	
COMMENTS:	TOLERANCES: FRACTIONS: ±1/64 .XX ±.01 .XXX ±.005 ANGLES: ±1/2° MACHINED SURFACES: 63/√	MFG APPR.	DATE	TITLE: CONNECTOR, COAXIAL, RF 3.5mm(m) to 7mm ADAPTER, RIGHT ANGLE
	surface area: sq inch	weight: lbs	OTHER APPR.	
		THIRD ANGLE PROJECTION		SIZE <b>B</b>
				DWG. NO. TRU-10109-RA
				REV -
				CAGE CODE: 92180
				SCALE: 2:1
				SHEET 1 OF 1