

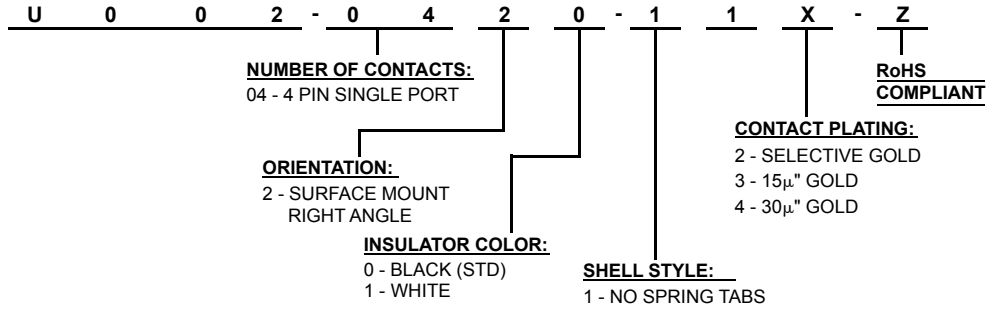
ELECTRICAL:
 CURRENT RATING: 1.5A
 CONTACT RESISTANCE:
 < 30 Milliohm Max.
 INSULATION RESISTANCE:
 > 1000 Megaohm Min. at 500DC
 DIELECTRIC WITHSTANDING VOLTAGE:
 500V (rms) AC for 1 Minute
 OPERATING TEMPERATURE: -50°C to +105°C

MATERIAL:
 INSULATOR: Polyester, UL94V-0
 CONTACTS: Phosphor Bronze
 CONTACT PLATING: Gold Plating over Nickel on Contact Area,
 Tin Plating on PCB Tail
 SHELL: Phosphor Bronze
 SHELL PLATING: Nickel 80-120µ"

MECHANICAL
 MAX PROCESS TEMP: 230°C for 30~60 Seconds
 260°C for 10 Seconds

(COMPONENT SIDE)
 PCB LAYOUT

HOW TO ORDER:



Rev	Description	Apv.	Date
0	Issued	S.E.	10/1/97
A	Revised	D.H.	7/20/04
B	Revised for RoHS Compliance	WHS	6/08/06

SMP TECHNOLOGY, INC.

SCALE	MAT'L	FINISH
TOL. DEC.	.X +/-	.XX +/-
	.XXX +/-	ANGLE +/-
	UNIT: mm	

USB Connector 4 Pin, B Type, SMT, Right Angle

SERIES: U002 - 0420-11X-Z