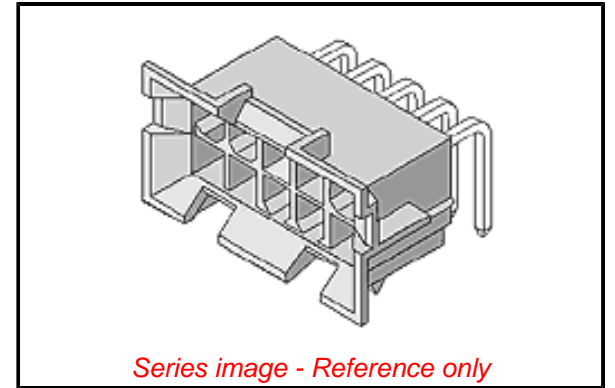


PLEASE CHECK WWW.MOLEX.COM FOR LATEST PART INFORMATION

Part Number: [0437590001](#)
Status: **Active**
Overview: Mini-Fit Family Power Connectors
Description: Mini-Fit BMI Header, 4.20mm Pitch, Dual Row, Right-Angle, with Snap-in Plastic Peg PCB Lock, 36 Circuits, PA Polyamide Nylon 6/6, UL 94V-2, with Tin (Sn) Plating

Documents:

3D Model	Packaging Specification PK-42404-002-001 (PDF)
3D Model (PDF)	Test Summary TS-42404-001-001 (PDF)
Drawing (PDF)	RoHS Certificate of Compliance (PDF)
Product Specification 437590001-PS-000 (PDF)	



Agency Certification

CSA	LR19980
UL	E29179

General

Product Family	PCB Headers
Series	43759
Application	Board-to-Board, Power, Wire-to-Board
Comments	Current = 13A max. per circuit when header is mated to a receptacle loaded with 45750 Mini-Fit Plus HCS Crimp Terminal Crimped to 16 AWG wire. See Molex product specification PS-45750-001 for additional current de-rating information.

Component Type	PCB Header
Overview	Mini-Fit Family Power Connectors
Product Name	Mini-Fit BMI
Taxonomy	PCB Headers and Receptacles
UPC	800753683334

Physical

Breakaway	No
Circuits (Loaded)	36
Circuits (maximum)	36
Color - Resin	Natural
Durability (mating cycles max)	30
First Mate / Last Break	Yes
Flammability	94V-2
Glow-Wire Capable	No
Guide to Mating Part	No
Keying to Mating Part	None
Lock to Mating Part	None
Material - Metal	Brass
Material - Plating Mating	Tin
Material - Plating Termination	Tin
Material - Resin	Nylon
Net Weight	15.119/g
Number of Rows	2
Orientation	Right Angle
PC Tail Length	3.30mm
PCB Locator	Yes
PCB Retention	Yes
PCB Thickness - Recommended	1.80mm
Packaging Type	Tray
Pitch - Mating Interface	4.20mm
Pitch - Termination Interface	4.20mm

EU ELV

Not Relevant

EU RoHS

Compliant

REACH SVHC

Not Contained per -
D(2022)9120-DC (17
Jan 2023)

Halogen-Free

Status

Low-Halogen

For more information, please visit [Contact US](#)

China ROHS

ELV

RoHS Phthalates

China RoHS

Green Image

Not Relevant

Not Contained

Search Parts in this Series

[43759](#) Series

Mates With

[43760](#) Mini-Fit BMI Panel Mount Receptacle,
[44516](#) Mini-Fit BMI Slide-and-Lock Panel
Mount Receptacle

Plating min - Mating	2.540µm
Plating min - Termination	2.540µm
Polarized to Mating Part	Yes
Polarized to PCB	Yes
Shrouded	Partial
Stackable	No
Surface Mount Compatible (SMC)	No
Temperature Range - Operating	-40° to +105°C
Termination Interface: Style	Through Hole

Electrical

Current - Maximum per Contact	13.0A
Voltage - Maximum	600V

Solder Process Data

Duration at Max. Process Temperature (seconds)	005
Lead-freeProcess Capability	WAVE
Max. Cycles at Max. Process Temperature	001
Process Temperature max. C	235

Material Info**Reference - Drawing Numbers**

Packaging Specification	PK-42404-002-001
Product Specification	437590001-PS-000
Sales Drawing	SDA-43759-X-001
Test Summary	TS-42404-001-001

This document was generated on 04/06/2023

PLEASE CHECK WWW.MOLEX.COM FOR LATEST PART INFORMATION