

Standard



DDR SO-DIMM

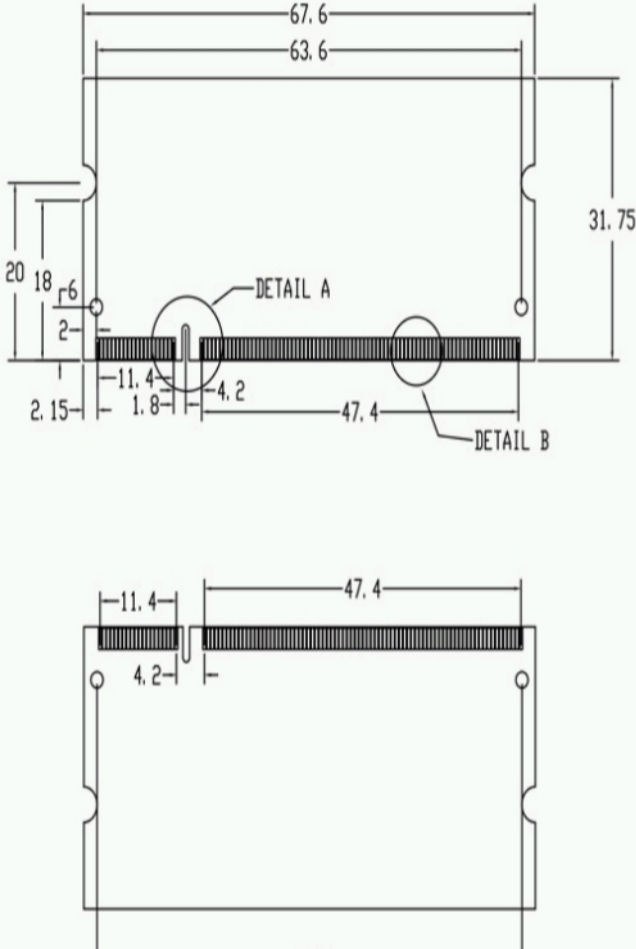
When it comes to memory, Transcend has more technical prowess, manufacturing resources and quality control expertise than the competition, which allows us to produce the most stable and reliable memory modules in the industry. Our DDR SO-DIMMs use only the finest quality memory chips and components, and are rigorously tested for compatibility and reliability, making them suitable for use in small-format industrial computers, POS terminals, portable computers and notebooks.

Features



- JEDEC standard 2.6V ± 0.1V (400MHz) ; 2.5V ± 0.2V (333MHz/266MHz)
- Double-data-rate architecture; two data transfers per clock cycle
- Differential clock inputs (CK and /CK)
- DLL aligns DQ and DQS transitions with CLK transition
- Data I/O transactions on both edge of data strobe.
- Serial Presence Detect (SPD) with serial EEPROM
- Burst Length (2,4,8)
- Data Sequence (Sequential & Interleave)
- 100% tested for stability, compatibility and performance
- Top tier name-brand DRAM chips and materials
- JEDEC compliant PCB design ensures multi-platform compatibility

Specifications



Module Type	DDR Unbuffered SO-DIMM
Frequency	DDR-266 / DDR-333 / DDR-400
Number of Rank	1 Rank/ 2 Ranks
Number of Pin	200Pin
Capacity	128MB / 256MB / 512MB / 1GB
DRAM Configuration	16Mx16 / 32Mx8 / 32Mx16 / 64Mx8
Timing Description	2.5-3-3 / 3-3-3
Voltage	2.5V
PCB Height	1.25 Inches
Operate Temperature	0 ~ 85 °C

[See more](#)

Order Information

128MB

- TS16MSD64V3G DDR 333 SO-DIMM 2.5-3-3 1Rx8
- TS16MSD64V6G DDR 266 SO-DIMM 2.5-3-3 1Rx8

256MB

- TS32MSD64V3G DDR 333 SO-DIMM 2.5-3-3 2Rx16
- TS32MSD64V3F5 DDR 333 SO-DIMM 2.5-3-3 1Rx8
- TS32MSD64V3M DDR 333 SO-DIMM 2.5-3-3 1Rx16
- TS32MSD64V6F5 DDR 266 SO-DIMM 2.5-3-3 1Rx8
- TS32MSD64V4F3 DDR 400 SO-DIMM 3-3-3 1Rx8

512MB

- TS64MSD64V6J DDR 266 SO-DIMM 2.5-3-3 1Rx8
- TS64MSD64V4J DDR 400 SO-DIMM 3-3-3 1Rx8
- TS64MSD64V3J DDR 333 SO-DIMM 2.5-3-3 1Rx8
- TS64MSD64V3M DDR 333 SO-DIMM 2.5-3-3 2Rx16
- TS64MSD64V4J-I DDR 400 SO-DIMM 3-3-3 1Rx8 IND

1GB

- TS128MSD64V4A DDR 400 SO-DIMM 3-3-3 2Rx8
- TS128MSD64V3A DDR 333 SO-DIMM 2.5-3-3 2Rx8
- TS128MSD64V6A DDR 266 SO-DIMM 2.5-3-3 2Rx8



Product Sheet

View or download the product sheet for detailed product and ordering information.



Support

Find drivers, manuals, FAQs, or software updates for your product.

Products

- Memory Cards
- USB Flash Drives
- External Storage
- Solid State Drives
- DRAM Modules
- Card Readers & Accessories
- Car Video Recorders
- Multimedia Products
- Wireless Products
- Apple Solutions
- Industrial Solutions
- Customized Solutions

Support

- Support & Download
- Product Verification
- Product Registration
- Compatibility
- Where to Buy
- Warranty Service

About Us

- Company Profile
- Awards
- Investor Relations
- Shareholder Services
- Press
- Green Initiatives
- Careers

Follow US



Subscribe