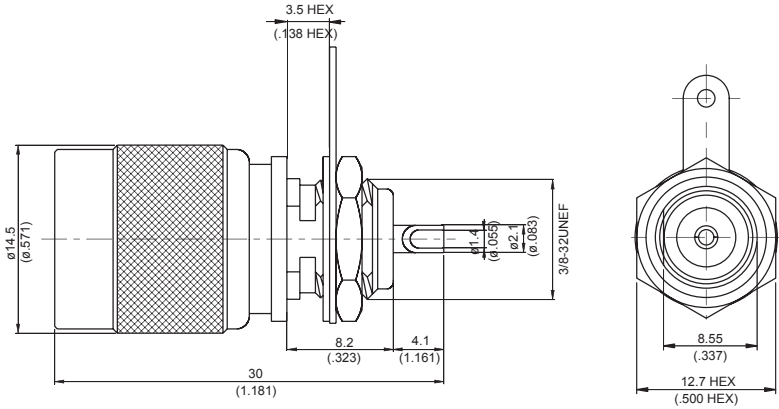
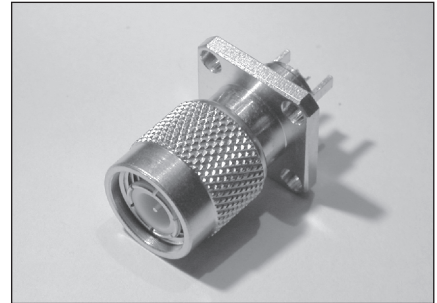
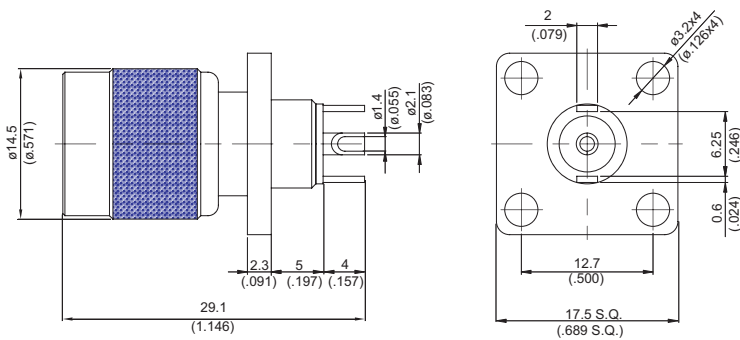


► **TNC PLUG FOR BULKHEAD**



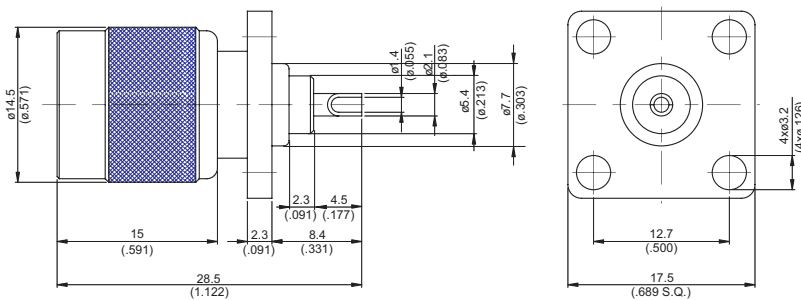
Part Number	M.H.	Weight	Material	Remarks
TNC3500-0000	4	15.48g	A11	
TNC3575-0000	4		A11	Impedance=75ohm

► **TNC PLUG FOR PANEL RECEPTACLE**



Part Number	M.H.	Weight	Material	Remarks
TNC3642-0000	21	18.38g	A16	No Gasket
TNC6642-0000	21		C11	Reverse Polarity Plug; No Gasket
TNC3642R-0000	21		A16	R= Reverse Thread; No Gasket

► **TNC PLUG FOR PANEL RECEPTACLE**



Part Number	M.H.	Weight	Material	Remark
TNC364A-0000	22	17.46g	A11	No Gasket
TNC364A-0075	22	17.30g	A11	No Gasket

TNC