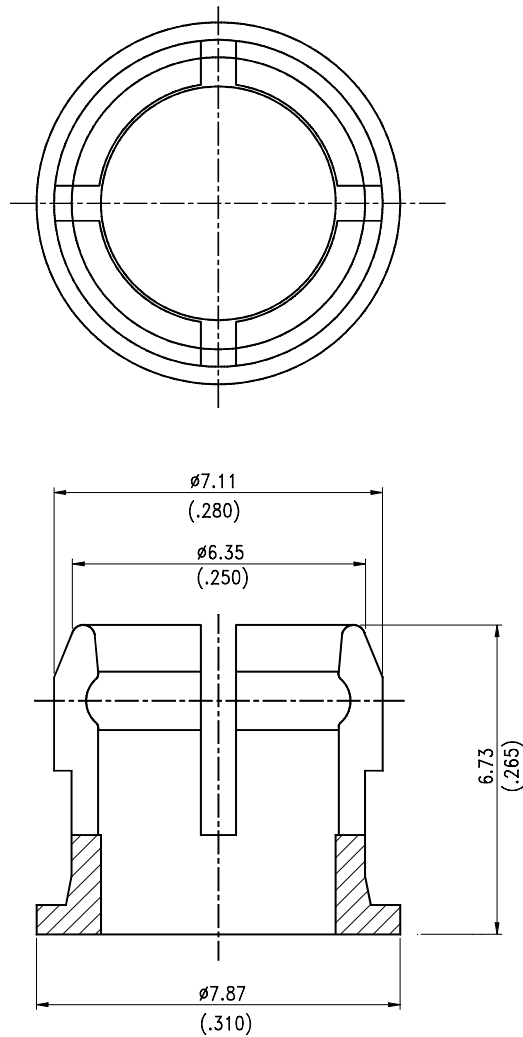


**Features**

- \* Designed for ease in circuit board assembly.
- \* Black case enhance contrast ratio.
- \* Reliable and rugged.

**Package Dimensions****NOTES:**

1. All dimensions are in millimeters (inches) .
2. Tolerance is  $\pm 0.25\text{mm}(.010\text{'})$  unless otherwise noted.
3. The holder color is black.
4. The holder raw material is PP, 94-V2.