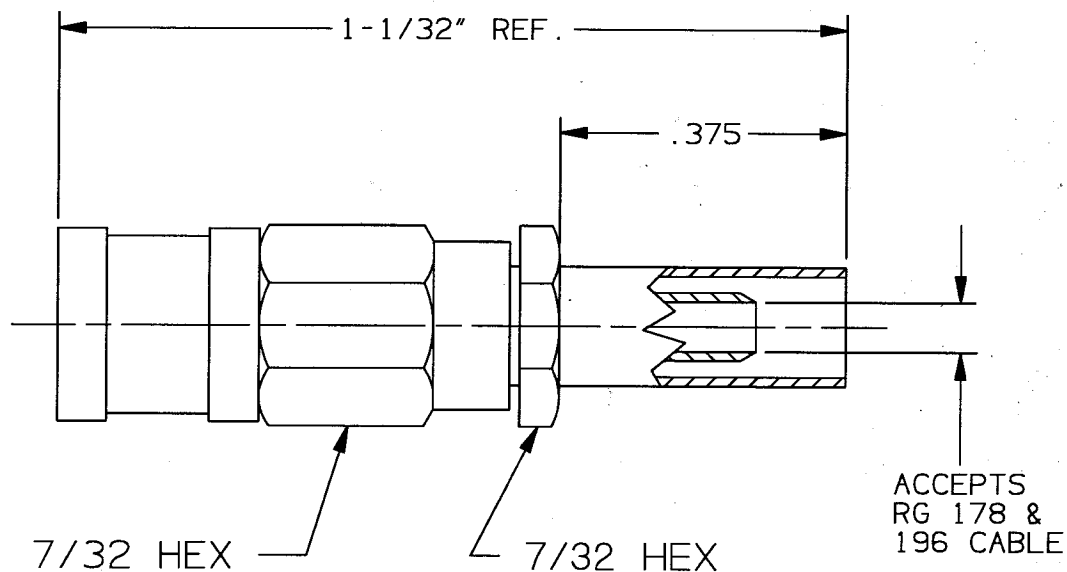


## CONFIGURATION



**SMB PLUG, CRIMP/CLAMP  
CONNECTOR FOR RG178 & 196 CABLE**

DWG. NO. 2303-0008

### ELECTRICAL:

NOMINAL IMPEDANCE (OHMS)	50
FREQUENCY RANGE (GHZ)	DC-4.0*
VOLTAGE RATING (MAX. VRMS)	335*
VSWR (MAX.)	1.20 + .030f*
INSERTION LOSS (x $\sqrt{f}$ GHZ = DB MAX.)	.20*
RF LEAKAGE (MIN. DB DOWN)	100
RF HIGH POTENTIAL (MAX. VRMS)	670*
DIELECTRIC WITHSTANDING VOLT. (MAX. VRMS)	1000*
INSULATION RESISTANCE (MIN. MEGOHMS)	1000
CONTACT RESISTANCE:	
CENTER CONTACT (MAX. MILLIOHMS)	6.0
OUTER CONTACT (MAX. MILLIOHMS)	1.0

### MECHANICAL: PER MIL-C-39012/SMB SERIES & S/M MD-121

INTERFACE DIMENSIONS	N/A
RECOMMENDED MATING TORQUE	N/A
CENTER CONTACT AXIAL FORCES:	
INSERTION (MAX. OUNCES)	40
WITHDRAWAL (MIN. OUNCES)	1.0
CONNECTOR DURABILITY (MIN. CYCLES)	500
CONNECTOR ENGAGEMENT & DISENGAGEMENT (MAX. INCH LBS.)	14.0
CENTER CONTACT CAPTIVATION	6.0 LBS. MIN. AXIAL FORCE

### ENVIRONMENTAL:

TEMP. RATING (DEGREES CENTIGRADE)	-65° TO + 165°
VIBRATION (MIL-STD-202, METHOD 204, CONDITION D, 20G'S)	
SHOCK (MIL-STD-202, METHOD 213, COND. I, 100G'S)	
TEMP. CYCLING (MIL-STD-202, METHOD 107, COND. C, -65c TO 200° C)	
MOISTURE RESISTANCE (MIL-STD-202, METHOD 106, LESS STEP 7B)	
BAROMETRIC PRESSURE (ALTITUDE) MIL-STD-202, METHOD 105, COND. C, 70,000 FT., 250 VRMS)	
HERMETICITY	N/A

\* CONNECTOR RATING ONLY. MAY BE DERATED WHEN USED WITH CABLE SPECIFIED.  
CABLE ASSEMBLY INSTRUCTIONS PER S/M 300-80-500.

### MATERIAL & FINISH:

BODY, FERRULE & SLEEVE: BRASS PER QQ-B-626, 1/2 HARD, ALLOY 360. GOLD PLATED PER MIL-G-45204, TYPE I, GRADE C, CLASS 1; OVER COPPER PER MIL-C-14550, CLASS 4.

CONTACT: BERYLLIUM COPPER PER ASTM-B196, COND. TD04, ALLOY UNS-C17300. GOLD PLATED PER MIL-G-45204, TYPE I, GRADE C, CLASS 2; OVER COPPER PER MIL-C-14550, CLASS 4.

SPRING: BERYLLIUM COPPER PER ASTM-B196, COND. TD04, ALLOY UNS-C17300. GOLD PLATED PER MIL-G-45204, TYPE I, GRADE C, CLASS 1; OVER COPPER PER MIL-C-14550, CLASS 4.

CRIMP RING: COPPER PER WW-T-799, TYPE K, FORM A, CLASS 1; GOLD PLATED PER MIL-G-45204, TYPE I, GRADE C, CLASS 1; OVER COPPER PER MIL-C-14550, CLASS 4.

INSULATOR: TEFLON PER MIL-P-19468 & L-P-403, TYPE 1.

SYM.	DESCRIPTION	DATE	APPR.	DRAWN:	APPROVED:
—	REL.F-20040	8/91	RDF	D.CARNES	R.FIELDS
				DATE 8/2/91	DATE 8/2/91

SOLITRON MICROWAVE  
1167 BLUE HERON BLVD.  
RIVIERA BEACH, FL., 33404

DWG. NO. 2303-0008