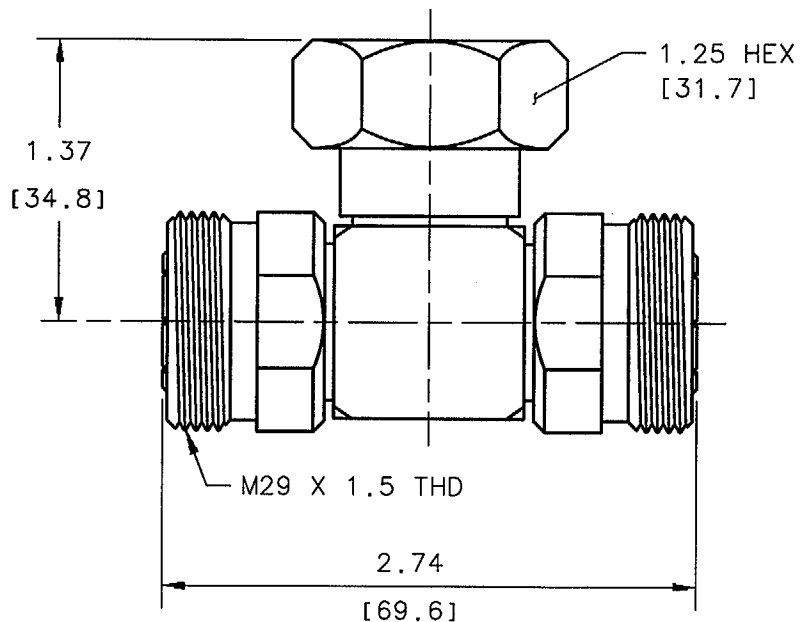
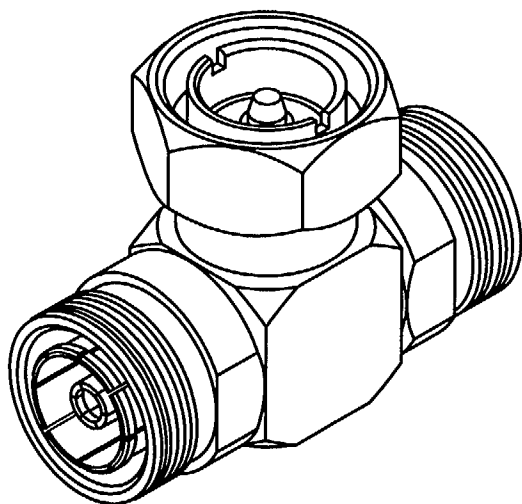


THIS DOCUMENT AND INFORMATION CONTAINED HEREIN ARE THE PROPERTY OF TRU-CONNECTOR CORP. REPRODUCTION OR USE THEREOF, IN WHOLE OR PART, IS PROHIBITED WITHOUT THE WRITTEN CONSENT OF TRU-CONNECTOR CORPORATION.

DWG. NO TRU-7706



Mating interface conforms to: DIN 47223, IEC 169-4

MATERIAL	INSULATORS - TEFLON
	GASKETS - SILICONE RUBBER
	FEMALE CONTACT - BERYLLIUM COPPER
	CONTACT FINGERS - PHOSPHOR BRONZE
	OTHER METAL PARTS - BRASS

FINISH	METAL PARTS - SILVER PLATED
--------	-----------------------------



TRU-CONNECTOR CORPORATION

245 LYNNFIELD STREET
 PEABODY, MASSACHUSETTS 01960
 phone: 978-532-0775
 fax: 978-531-6993
 E-mail: trusales@tru-con.com

DESCRIPTION				
CONNECTOR, COAXIAL, RF				
SERIES: 7-16(f-m-f)				
ADAPTER, TEE				
DRAWN BY	DATE	SCALE	CHKD. BY	FILE AS
WWW	10-28-98	FULL	<i>[Signature]</i>	TRU-7706
REFERENCE	THIRD ANGLE PROJECTION	DWG. NO.	TRU-7706	