

COPALUM

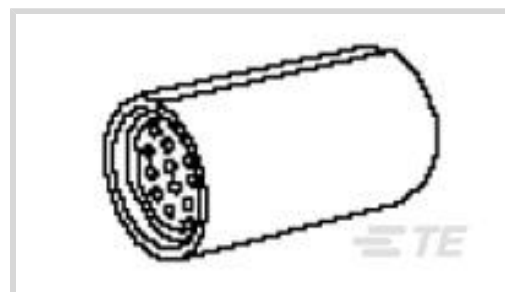
TE Part # 52748

TE Internal #: 52748

[View on TE.com >](#)



Terminals & Splices > Splices



Product Type: **Splice**

Terminal & Splice Type: **Splice**

Sealable: **No**

Splice Material: **Copper**

Splice Type: **Parallel Splice**

Features

Product Type Features

Product Type	Splice
Sealable	No
Splice Type	Parallel Splice
Serrated	No
Wire/Cable Type	Aluminum

Body Features

Weight per Piece	14.452 g
Splice Material	Copper

Contact Features

	30 μin
Contact Plating Material	Tin
Terminal & Splice Type	Splice

Packaging Features

Packaging Quantity	50
Packaging Method	Box

Other

Comment	Not approved for reconnection of residential aluminum branch circuit wiring., When two or more wires are used in a
---------	---



parallel splice, the combined cross-sectional area must be within the CMA range listed.

Product Compliance

[For compliance documentation, visit the product page on TE.com>](#)

EU RoHS Directive 2011/65/EU	Compliant
EU ELV Directive 2000/53/EC	Compliant
China RoHS 2 Directive MIIT Order No 32, 2016	No Restricted Materials Above Threshold
EU REACH Regulation (EC) No. 1907/2006	Current ECHA Candidate List: JAN 2019 (197) Candidate List Declared Against: JUN 2018 (191)
Halogen Content	Low Bromine/Chlorine - Br and Cl < 900 ppm per homogenous material. Also BFR /CFR/PVC Free
Solder Process Capability	Not applicable for solder process capability

Product Compliance Disclaimer

This information is provided based on reasonable inquiry of our suppliers and represents our current actual knowledge based on the information they provided. This information is subject to change. The part numbers that TE has identified as EU RoHS compliant have a maximum concentration of 0.1% by weight in homogenous materials for lead, hexavalent chromium, mercury, PBB, PBDE, DBP, BBP, DEHP, DIBP, and 0.01% for cadmium, or qualify for an exemption to these limits as defined in the Annexes of Directive 2011/65/EU (RoHS2). Finished electrical and electronic equipment products will be CE marked as required by Directive 2011/65/EU. Components may not be CE marked. Additionally, the part numbers that TE has identified as EU ELV compliant have a maximum concentration of 0.1% by weight in homogenous materials for lead, hexavalent chromium, and mercury, and 0.01% for cadmium, or qualify for an exemption to these limits as defined in the Annexes of Directive 2000/53/EC (ELV). Regarding the REACH Regulations, TE's information on SVHC in articles for this part number is still based on the European Chemical Agency (ECHA) 'Guidance on requirements for substances in articles' (Version: 2, April 2011), applying the 0.1% weight on weight concentration threshold at the finished product level. TE is aware of the European Court of Justice ruling of September 10th, 2015 also known as O5A (Once An Article Always An Article) stating that, in case of 'complex object', the threshold for a SVHC must be applied to both the product as a whole and simultaneously to each of the articles forming part of its composition. TE has evaluated this ruling based on the new ECHA "Guidance on requirements for substances in articles" (June 2017, version 4.0) and will be updating its statements accordingly.

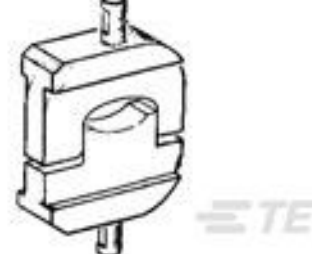
Compatible Parts



TE Part # 1490575-1
U DIE, BAR COPALUM 2
AWG



TE Part # 68046
DIE COPALUM 2 69099



TE Part # 68130
DIE COPALUM IP 69099 2

Customers Also Bought



Documents

Product Drawings

[SPLICE,COPALUM PARA 2](#)

English

CAD Files

[3D PDF](#)

3D

Customer View Model

[ENG_CVM_CVM_52748_E.3d_igs.zip](#)

English

Customer View Model

[ENG_CVM_CVM_52748_E.3d_stp.zip](#)

English

Customer View Model

[ENG_CVM_CVM_52748_E.2d_dxf.zip](#)

English

Product Specifications

[Copalum Terminals & Splices f/Solid & Stranded Wire](#)



Japanese

[Application Specification](#)

Japanese

[Application Specification](#)

English

[COPALUM Terminals And Splices For Solid And Stranded Wire](#)

English

[Product Environmental Compliance](#)

[TE Material Declaration](#)

English