

Product Specifications



240PTF-BH-CR

TNC Female Bulkhead for CNT-240 braided cable

CHARACTERISTICS

General Specifications

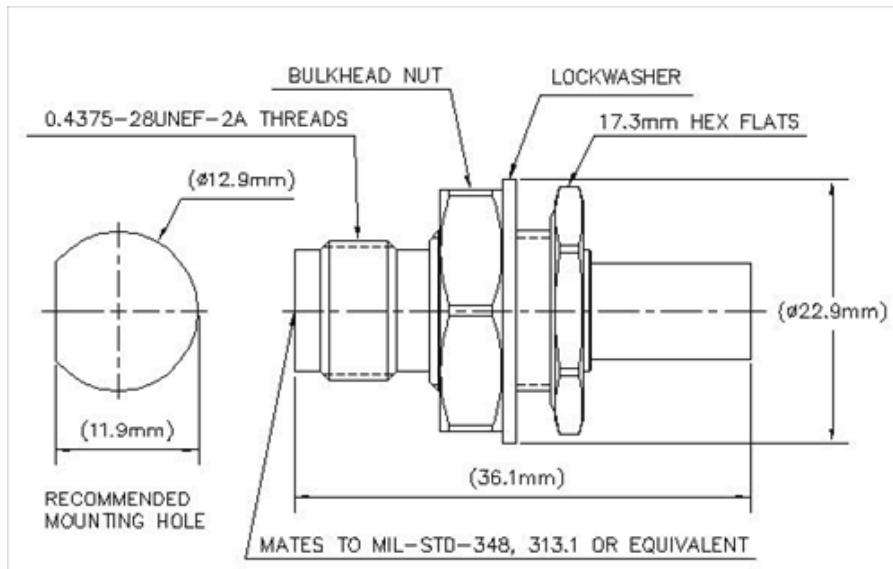
Interface	TNC Female
Body Style	Bulkhead

Electrical Specifications

Operating Frequency Band	0 – 6000 MHz
3rd Order IMD Test Method	Two +43 dBm Carriers
Average Power	260.0 W @ 900 MHz
Cable Impedance	50 ohm
Connector Impedance	50 ohm
dc Test Voltage	1500 V
Inner Contact Resistance	1.50 mOhm
Insertion Loss, typical	0.05 dB
Insulation Resistance, minimum	5000 MOhm
Outer Contact Resistance	0.40 mOhm
Peak Power, maximum	5.00 kW
RF Operating Voltage, maximum (vrms)	500.00 V
Shielding Effectiveness	-90 dB
3rd Order IMD	-75 dBm @ 910 MHz

Product Specifications

Outline Drawing



Mechanical Specifications

Connector Retention Tensile Force	134 N 30 lbf
Connector Retention Torque	0 N-m 0 ft lb
Inner Contact Attachment Method	Solder
Insertion Force	15.00 N 3.37 lbf
Insertion Force Method	IEC 169-17:9.3.5
Interface Durability	500 cycles
Interface Durability Method	IEC 169-17:9.5
Outer Contact Attachment Method	Crimp
Pressurizable	No

Dimensions

Nominal Size	0.240 in
Weight	20.00 g 0.04 lb

Environmental Specifications

Climatic Sequence Test Method	IEC 60068-1
Corrosion Test Method	IEC 60068-2-11
Damp Heat Steady State Test Method	IEC 60068-2-3
Mechanical Shock Test Method	IEC 60068-2-27
Operating Temperature	-55 °C to +85 °C (-67 °F to +185 °F)
Storage Temperature	-65 °C to +125 °C (-85 °F to +257 °F)
Thermal Shock Test Method	IEC 60068-2-14
Vibration Test Method	IEC 60068-2-6

Standard Conditions

Product Specifications



Attenuation, Ambient Temperature 20 °C | 68 °F
Average Power, Ambient Temperature 40 °C | 104 °F
Average Power, Inner Conductor Temperature 100 °C | 212 °F

Return Loss

Frequency Band	VSWR	Return Loss (dB)
0–3000 MHz	1.10	31.78
3000–6000 MHz	1.20	25.99

* Footnotes

Insertion Loss, typical $0.05 \sqrt{\text{freq (GHz)}}$ (not applicable for elliptical waveguide)