



Series C82/C92 Standard Dual Beam Solder Tail Edge-Grip Sockets

FEATURES:

- Dual beam, edge-grip contacts provide high retention with positive wiping action.
- Removable cover provides lower profile.
- Side-to-side stackable.

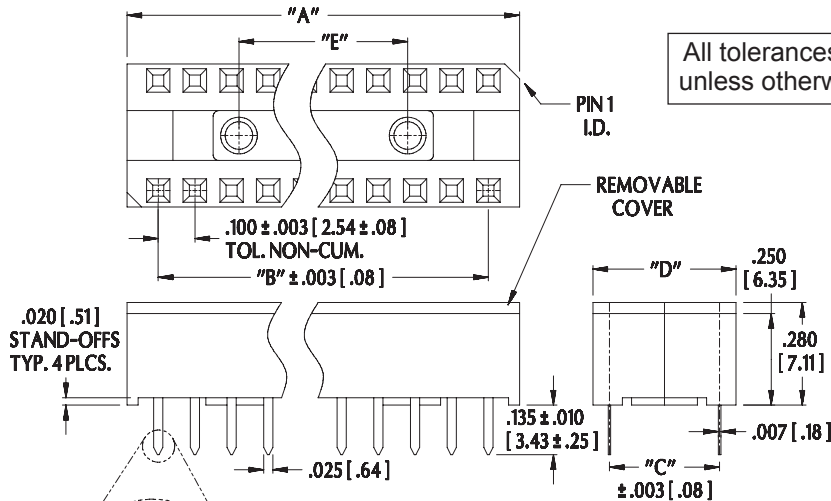
SPECIFICATIONS:

- Body is black UL-94V-0 Glass-filled 4/6 Nylon.
- Contact is Grade A spring-tempered Phosphor Bronze.
- Contact plating: (all over $50\mu\text{m}$ [$1.27\mu\text{m}$] Nickel per SAE-AMS-QQ-N-290)
Tin = $200\mu\text{m}$ [$5.08\mu\text{m}$] min Matte Tin per ASTM B545-97.
Tin/Lead = $50\text{-}150\mu\text{m}$ [$1.27\text{-}3.81\mu\text{m}$] min. 90/10 Tin/Lead per MIL-P-81728.
Gold = $10\mu\text{m}$ [$0.25\mu\text{m}$] min. Gold per MIL-G-45204.
- Contact current rating=1 Amp.
- Contact resistance=20 mOhms initial.
- Insulation resistance=100 MOhms @ 500 VDC per MIL-STD-1344, method 3003.1.
- Dielectric withstanding voltage=1000 VAC.
- Operating temperature= -67°F to 221°F [-55°C to 105°C] Tin
= -67°F to 257°F [-55°C to 125°C] Gold
- Solderability: MIL-STD-202, method 208 less heat aging.
- Accepts leads up to $.011 \times .018 \pm .003$ [$.28 \times .46 \pm .08$] or $.021$ [$.53$] diameter.
- Accepts leads $.100\text{-}.200$ [$2.54\text{-}5.08$] long with cover.

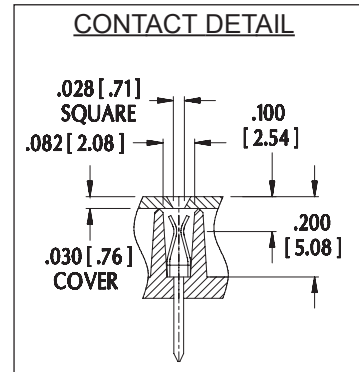
MOUNTING CONSIDERATIONS:

- Suggested PCB hole size= $.036 \pm .002$ [$.91 \pm .05$] dia.

ALL DIMENSIONS: INCHES [MILLIMETERS]



All tolerances $\pm .005$ [.13] unless otherwise specified



No. of Pins	Dim. "A"	Dim. "B"	Centers "C"	Dim. "D" (max)	Dim. "E"
8	.465 [11.81]	.300 [7.62]	.300 [7.62]	.400 [10.16]	---
14	.765 [19.43]	.600 [15.24]	.300 [7.62]	.400 [10.16]	.300 [7.62]
16	.865 [21.97]	.700 [17.78]	.300 [7.62]	.400 [10.16]	.400 [10.16]
18	.965 [24.51]	.800 [20.32]	.300 [7.62]	.400 [10.16]	.400 [10.16]
20	1.065 [27.05]	.900 [22.86]	.300 [7.62]	.400 [10.16]	.400 [10.16]
22	1.180 [29.97]	1.000 [25.40]	.400 [10.16]	.500 [12.70]	.500 [12.70]
24	1.280 [32.51]	1.100 [27.94]	.600 [15.24]	.700 [17.78]	.500 [12.70]
28	1.480 [37.59]	1.300 [33.02]	.600 [15.24]	.700 [17.78]	.500 [12.70]
36	1.880 [47.75]	1.700 [43.18]	.600 [15.24]	.700 [17.78]	.800 [20.32]
40	2.080 [52.83]	1.900 [48.26]	.600 [15.24]	.700 [17.78]	.800 [20.32]

Pin tails can be bent over without breaking for mounting on PCB



Bristol, PA 19007-6810 USA
TEL (215) 781-9956 • FAX (215) 781-9845
WWW.ARIESELEC.COM • INFO@ARIESELEC.COM



12002
REV. D