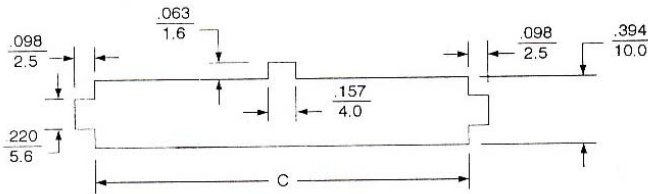


**SPECIFICATIONS**

Current Rating: 9 A  
 Voltage Rating: 600V (R.M.S.)  
 Insulation Resistance: DC 500V 1000MΩ min.  
 Withstanding: 1500V AC/minute  
 Operating Temp: -40°C ~ +105°C

Circuits				
Wire Size AWG	2	4,6	8,10	12-24
#18	9 A	8 A	7 A	6 A
#20	7 A	6 A	5 A	5 A
#22	5 A	4 A	4 A	4 A
#24	4 A	3 A	3 A	3 A

**Mounting Hole Details**



Dimensions								
Circuits	A	B	Circuits	A	B	Circuits	A	B
2		5.7	10	16.8	22.5	18	33.6	39.3
4	4.2	9.9	12	21.0	26.7	20	37.8	43.6
6	8.4	14.1	14	25.2	30.9	22	42.0	47.8
8	12.6	18.3	16	29.4	35.1	24	46.2	52.0

Series	Type	Positions	Options
JS-A	9358	XX	XX
Connectors	High Current High Density Housing	02-24	E=Mounting Ears Blank=No Ears

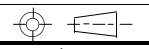
RoHS compliant

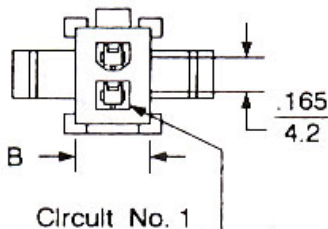
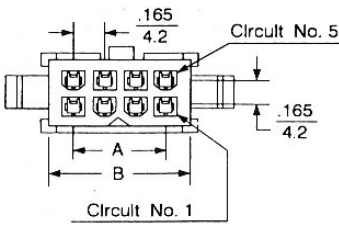
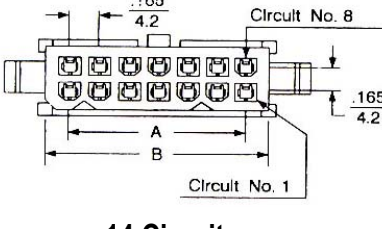
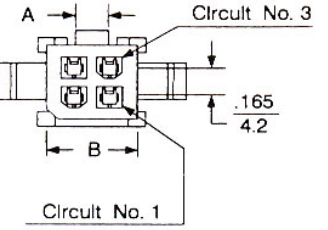
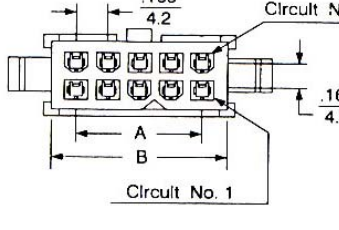
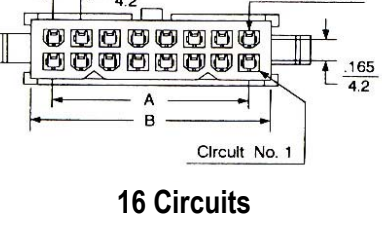
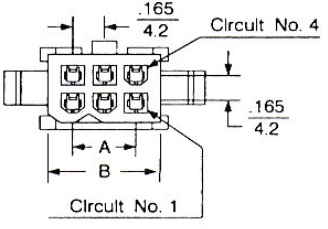
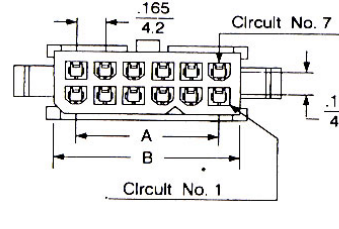
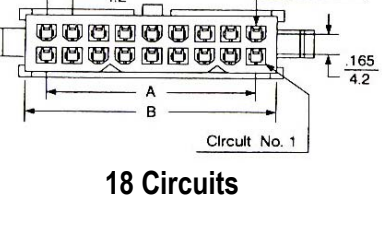

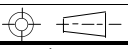
Rev.	Description	Date	Approved	Drawing	Name	Date
				Approved	Howard	03/24/05
				Checked	Lizzy	03/24/05
				Drawn	Tina	03/24/05
				0.0 ± 0.35	0.00 ± 0.20	Angles ± 3'
				UNIT: mm		

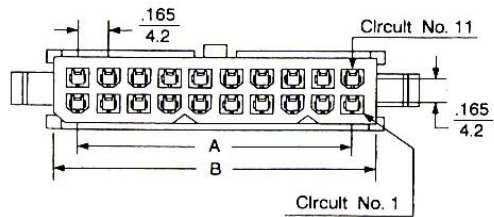
**Central Components Manufacturing**  
 440 Lincoln Blvd., Middlesex, New Jersey 08846  
 Phone 732 469-5720 888 288-5152 Fax 732 469-1919

Part No.: **JS-A-9358-XX-XX**

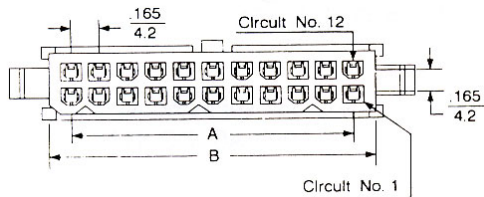
Description: 165" (4.2mm) Receptacle Housing



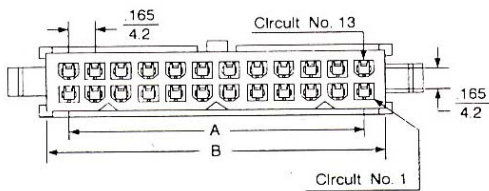
	1	2	3	4	5	6	7	8	9
A									
B		<b>2 Circuits</b>		<b>8 Circuits</b>			<b>14 Circuits</b>		
C									
D		<b>4 Circuits</b>		<b>10 Circuits</b>			<b>16 Circuits</b>		
E									
F		<b>6 Circuits</b>		<b>12 Circuits</b>			<b>18 Circuits</b>		
	<b>RoHS compliant</b>								
	Rev.	Description	Date	Approved	Drawing	Name	Date	 <b>Central Components Manufacturing</b> 440 Lincoln Blvd., Middlesex, New Jersey 08846 Phone 732 469-5720 888 288-5152 Fax 732 469-1919 Part No.: <b>JS-A-9358-XX-XX</b> Description: 165" (4.2mm) Receptacle Housing	
					Approved	Howard	03/24/05		
					Checked	Lizzy	03/24/05		
					Drawn	Tina	03/24/05		
G					0.0 ± 0.35	0.00 ± 0.20	Angles ± 3'		
						UNIT: mm			
	1	2	3	4	5	6	7	8	9



**20 Circuits**



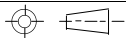
**22 Circuits**



**24 Circuits**

Rev.	Description	Date	Approved	Drawing	Name	Date
				Approved	Howard	03/24/05
				Checked	Lizzy	03/24/05
				Drawn	Tina	03/24/05

0.0 ± 0.35	0.00 ± 0.20	Angles ± 3'
UNIT: mm		



**Central Components Manufacturing**  
 440 Lincoln Blvd., Middlesex, New Jersey 08846  
 Phone 732 469-5720 888 288-5152 Fax 732 469-1919

Part No.: **JS-A-9358-XX-XX**

Description: 165" (4.2mm) Receptacle Housing