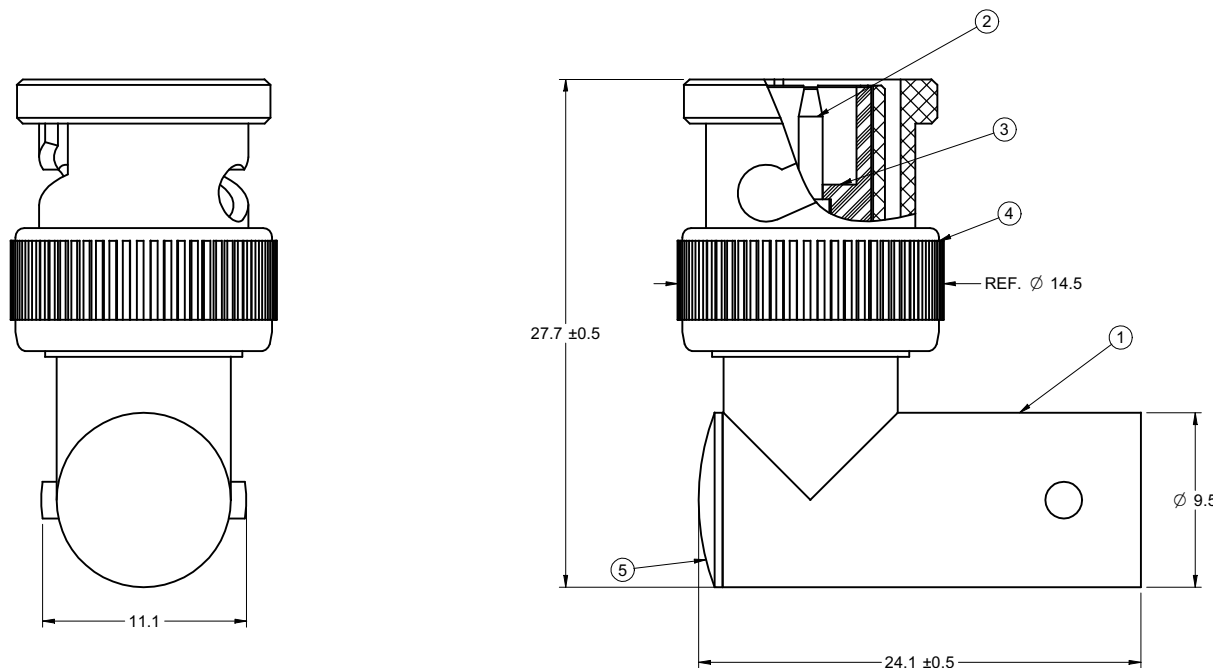


	5			4				3		2		1
PART NUMBER	ITEM ① BODY	ITEM ② CONTACT	ITEM ③ INSULATOR	ITEM ④ NUT	ITEM ⑤ END CAP							
27-8150	ZINC NICKEL PLATED	BRASS GOLD PLATED	DELIN	ZINC NICKEL PLATED	BRASS NICKEL PLATED							

DRAWING NO. 27-8150	
REVISIONS	
01	OFFICIAL RELEASE
08-28-09	Y U W T T Betty 2009.08.10 08:41:46



受控 CONTROLLED DOCUMENT					
编号 P/N	27-8150	版本 Rev	01	日期 Rel'd Date	SEP 14, 09

- NOTES:
1. IMPEDANCE: 50 OHMS NOMINAL
 2. FREQUENCY RANGE: 0-4 GHz
 3. PRODUCT SHOULD BE RoHS COMPLIANCE
 4. TECHNICAL DETAIL: REFER TO EMERSON DOCUMENT P/N 27-0000.

THIS DRAWING TO BE INTERPRETED
PER ANSI Y 14.5M - 1994

COMPANY CONFIDENTIAL

TOLERANCE UNLESS OTHERWISE SPECIFIED		DRAWN BY BETTY.YU	DATE 08-28-09		Connectivity Solutions
DECIMALS	mm	CHECKED BY TERRY.W	DATE 08-28-09		
X	+ 0.5	APPROVED BY THOMAS	DATE 08-28-09	TITLE 50 OHM BNC RIGHT ANGLE ADAPTER	
X.X	+ 0.2	U/M	mm	SHEET 1 OF 1	
X.XX	+ 0.1	THIS DRAWING WAS PRODUCED BY COMPUTER, DO NOT SCALE DRAWING OR UPDATE MANUALLY.		DRAWING NO. 27-8150	
ANGLES	+ 0.5°			SIZE C	