

Industrial Control Transformers

Isolation and Buck Boost in a NEMA 3R Compliant Enclosure



The ICT series is designed with flexibility to support both isolation and/or buck boost severe duty applications while offering many standard features.

Features

- Epoxy encapsulated, impervious to atmospheric conditions
- Incorporates Class H 180.0C, UL 1446 insulation systems
- Powder-coated, NEMA 3R-compliant steel case
- Line isolation and stray field filtering
- Bottom and/or side conduit access
- Convenient side or top mounting offers easy access
- Available with optional NEMA cord set and outlet
- Suitable for both indoor and outdoor applications
- Standard input voltage: 115, 230, and 480
- Standard available outputs: 12, 16, 20, 24, and 115
- Electrostatic screen (ESS) terminal
- Conforms to UL 506, 508, and 5085-2

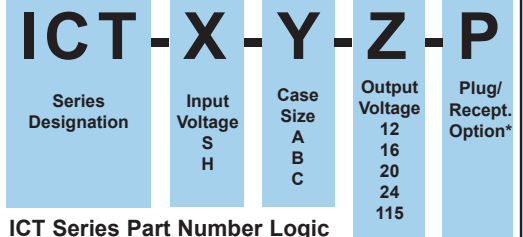


Part Number Configuration

Based on the case size, input voltage, and output voltage required.

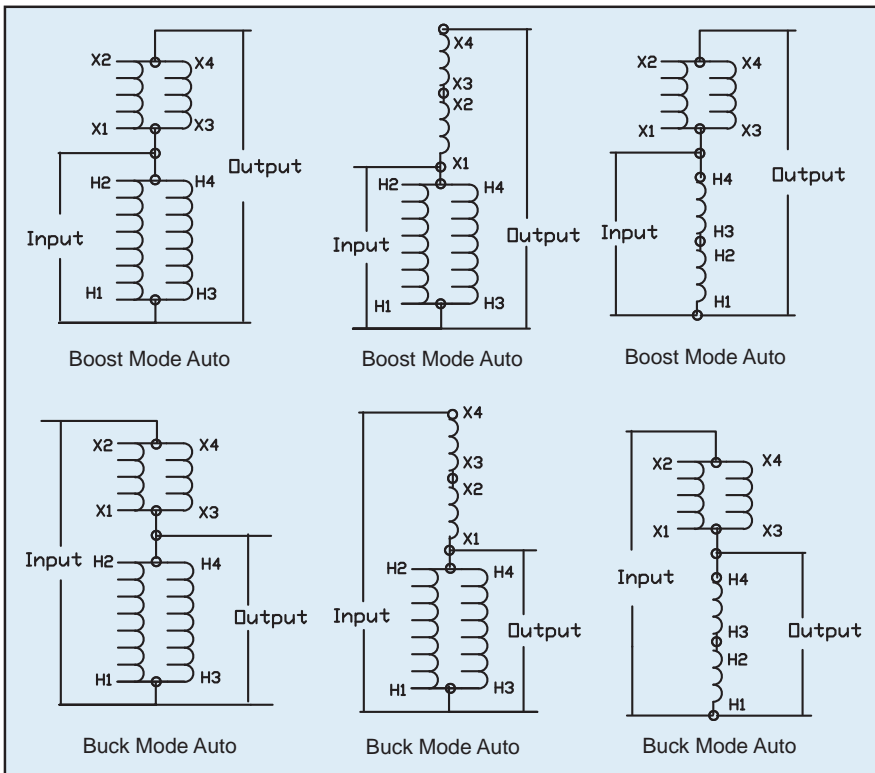
Input Voltages	
S	2 x 115V
H	2 x 240V

Output Voltages	
12	2 x 12V
16	2 x 16V
20	2 x 20V
24	2 x 24V
115	2 x 115V



ICT Series Part Number Logic

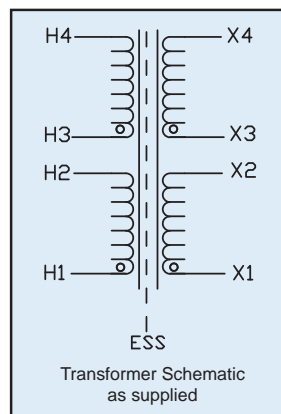
P(*) - Configured for 15 V Single Output



Case Size	Isolation Mode	Buck Boost Mode
	VA (max)	
A	500	1000
B	1000	2000
C	1800	3600

Case Size Selection

When configured in buck or boost modes, the ICT transformer's maximum VA rating exceeds the VA rating listing for isolation mode. The maximum VA ratings are contingent on the actual configuration. Please consult Signal for specific application requirements.



Notes:

1. Units with optional line cords are for indoor use only.
2. Contact Signal for compliance services.

Custom versions available upon request.

©2015 Signal Transformer Inc. Specifications subject to change without notice. 07.15

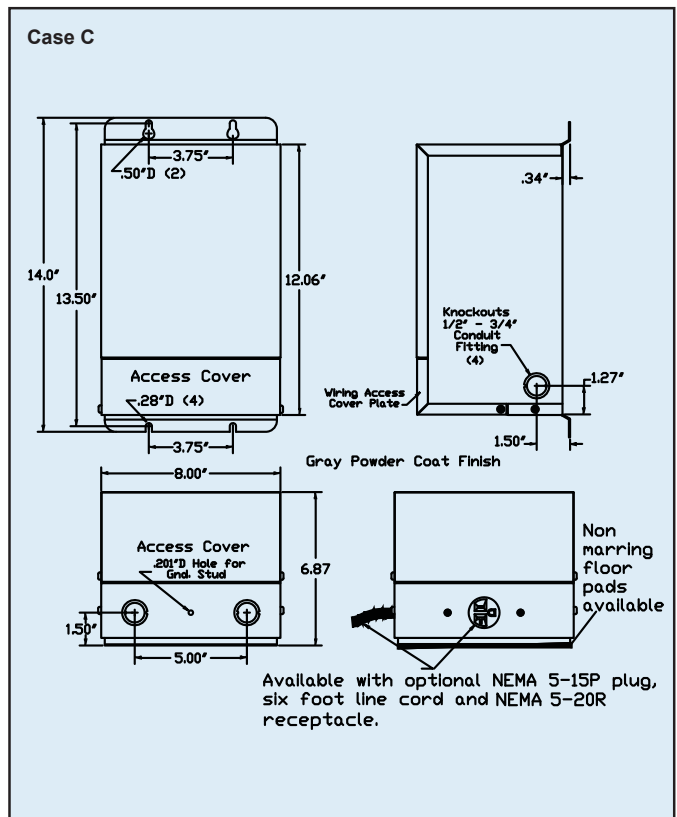
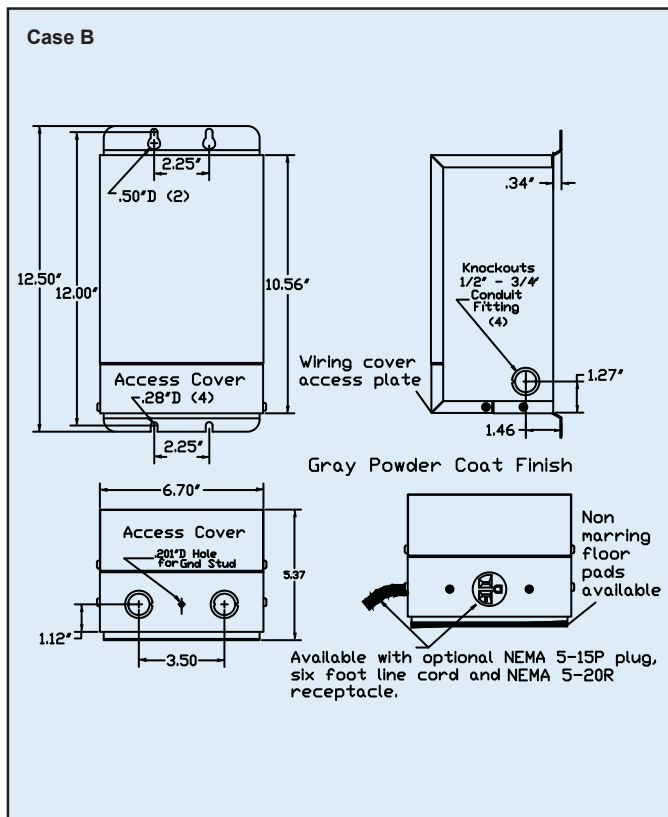
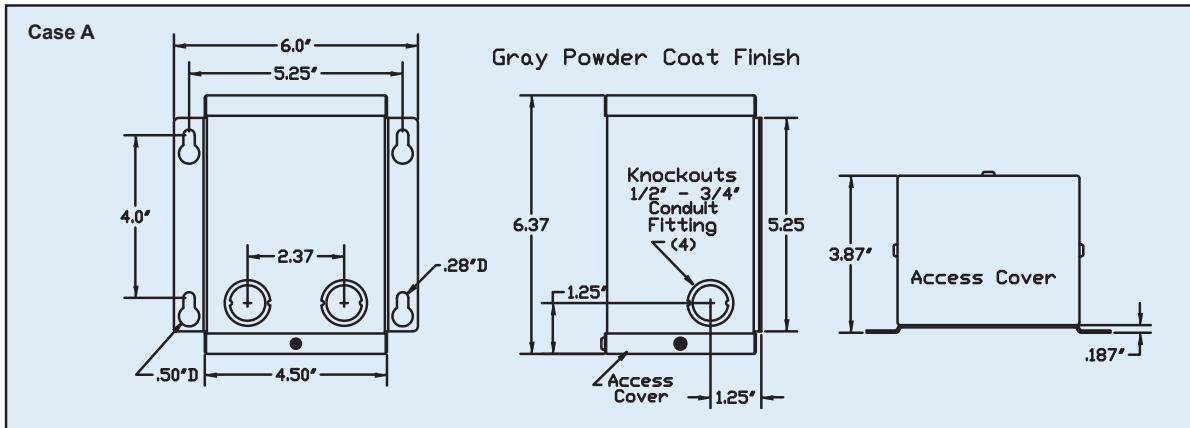


www.signaltransformer.com

500 Bayview Avenue, Inwood, NY 11096
 Toll Free 866-239-5777 • Tel 516-239-5777 • Fax 516-239-7208
 sales@signaltransformer.com • techhelp@signaltransformer.com

Industrial Control Transformers

Isolation and Buck Boost in a NEMA 3R Compliant Enclosure



Custom versions available upon request.

©2015 Signal Transformer Inc. Specifications subject to change without notice. 07.15



www.signaltransformer.com

500 Bayview Avenue, Inwood, NY 11096
 Toll Free 866-239-5777 • Tel 516-239-5777 • Fax 516-239-7208
 sales@signaltransformer.com • techhelp@signaltransformer.com