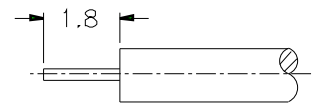
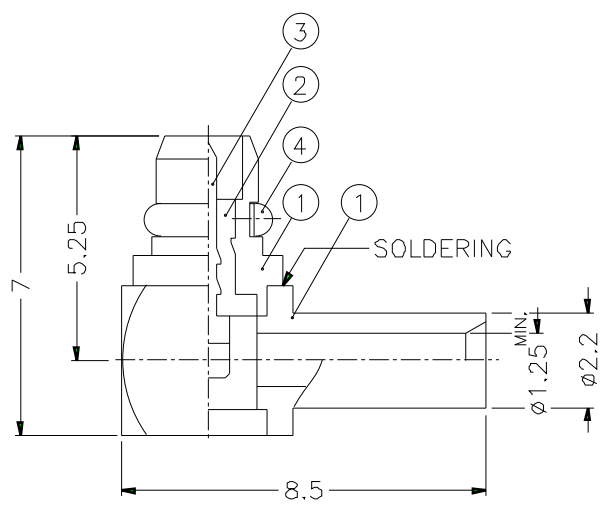
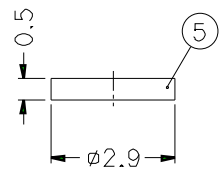


		1		2		3		4		5		6		7		8	
REVISIONS																	
ISS	ZONE	DESCRIPTION\PER REQUEST\DATE															



RECOMMENDED
CABLE STRIPPING DIM'S



- NOTES: FINISH (PLATING THICKNESS IN MICRO-INCHES)
1. BRASS PER QQ-B-626
 2. BRASS PER QQ-B-613
 3. GOLD PL. 3 MIN. THICK OVER NICKEL PL. 100 MIN. THICK OVER COPPER STRIKE
 4. BERYLLIUM COPPER PER QQ-C-530
 5. GOLD PL. 30 MIN. THICK OVER NICKEL PL. 100 MIN. THICK OVER COPPER STRIKE
 6. TEFLON MIL-P-19468

1. CONTACT PIN TO SOLDER

DIMENSIONS ARE IN MILLIMETERS										PART NO.		<h1 style="margin: 0;">Amphenol</h1> <p style="margin: 0;">TITLE MMCX R/A DIRECT SOLDER PLUG (FOR .047" SEMI-RIGID CABLE)</p> <p style="margin: 0;">DRAWING NO. KJ-MMCX1182A1-3GT30G-.047-50</p> <p style="margin: 0;">ITEM NO.</p>							
UNLESS OTHERWISE SPECIFIED TOLERANCES										MMCX1182A1-3GT30G-13-50									
0.5-6 = ±0.2										APPROVED								DATE	
6-30 = ±0.4																		10-11-01'	
30-120 = ±0.6										CHECKED		DATE							
120-315 = ±1												10-11-01'							
315-1000 = ±1.6										DRAWN		DATE							
1000-2000 = ±2.4												10-11-01'							
5	COVER	NOTE 2	NOTE 3	1	CV-29X05-T	SCALE		6/1	ISSUE	A	FILE NO.								
4	RETAINER RING	NOTE 4	NOTE 3	1	MMCX1121A1-5-C														
3	CONTACT PIN	NOTE 1	NOTE 5	1	MMCX1112A1-4-B														
2	INSULATOR	NOTE 6	NATURAL	1	MMCX1112A1-3T-50-B														
1	HOUSING WITH BODY	NOTE 1	NOTE 3	1	MMCX1182A1-1S-22/125-B														

		1		2		3		4		5		6		7		8	
--	--	---	--	---	--	---	--	---	--	---	--	---	--	---	--	---	--