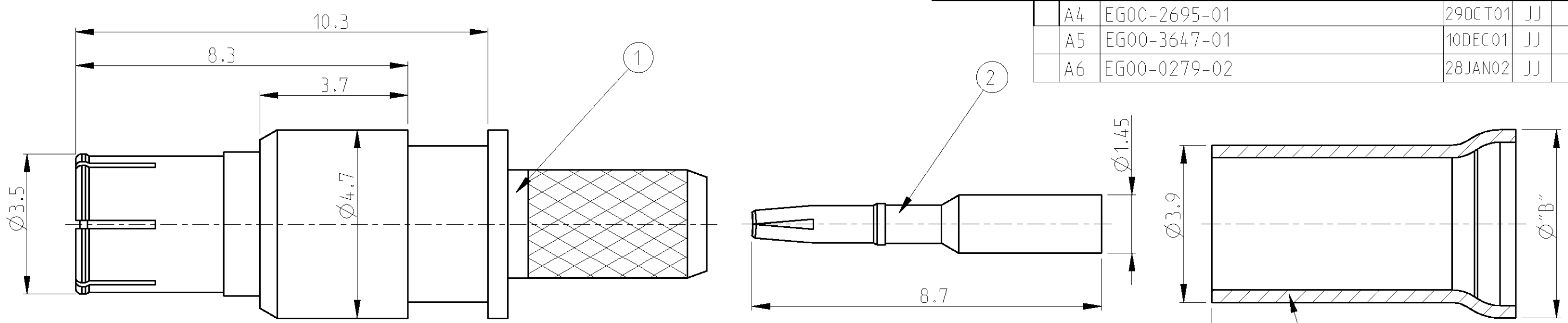


THIS DRAWING IS UNPUBLISHED. RELEASED FOR PUBLICATION 2001
 © COPYRIGHT 2001 BY TYCO ELECTRONICS CORPORATION. ALL RIGHTS RESERVED.

LOC	DIST	REVISIONS			
P	LTR	DESCRIPTION	DATE	DWN	APVD
A4	-	EG00-2695-01	29OCT01	JJ	
A5	-	EG00-3647-01	10DEC01	JJ	
A6	-	EG00-0279-02	28JAN02	JJ	



1 Ni PLATING 1.0 µm MIN. - 5.0 µm MAX. THX.

2 PLATING: 0.1 - 1.0 µm Au OVER 0.1 - 9.0 µm Ni

3 500 OUTER SHELL ASSY (POS.1) PACKED WITH 500 CENTER CONTACTS (POS.2) AND 500 FERRULES (POS.3) EACH SEPARATELY IN A PLASTIC BAG, 1 BAG PER POS. PACKED IN A CARDBOARD BOX.

4 HAND CRIMPING TOOL FOR FERRULE (POS.3) AMP PN 539635-1, ADAPTER AMP PN 539700-2 (HEX.3.25)

5 HAND CRIMPING TOOL FOR CENTER CONTACT (POS.2) PN 601966-1, POSITION 5, ADAPTER AMP PN 957098-1.

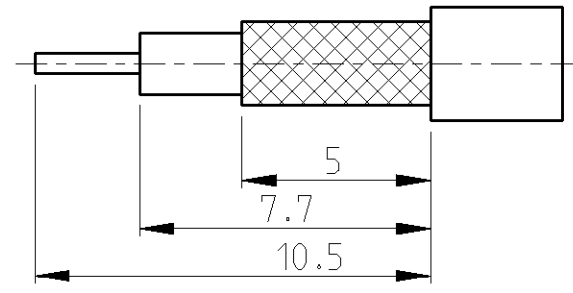
1 VERNICKELT 1.0 µm MIN. - 5.0 µm MAX. DICKE

2 VERGOLDET 0,1 - 1,0 µm Au UEBER 0,1 - 9,0 µm Ni

3 500 OUTER-SHELL-ASSIES (POS.1) MIT 500 INNENLEITERN (POS.2) UND 500 CRIMPHUELSEN (POS.3) JEWEILS SEPARAT IN PLASTIKBEUTELN VERPACKT, 1 BEUTEL PRO POS. IN EINEM KARTON VERPACKT.

4 HANDCRIMPWERKZEUG FUER CRIMPHUELSE (POS.3) AMP PN 539635-1, ADAPTER AMP PN 539700-2 (HEX.3.25).

5 HANDCRIMPWERKZEUG FUER INNENLEITER (POS.2) PN 601966-1, POSITION 5, ADAPTER AMP PN 957098-1.



STRIPPING DIMENSIONS (UNSCALED)
 ABISOLIERMASSE (NICHT MASSTAEBLICH)

"A" = 9.0	"A" = 7.6
Ø "B" = 5.4	Ø "B" = 4.7
"L" = 20.0±0.3	"L" = 18.6±0.3

PART-NO.	PART-NO.	ITEM NO	DESCRIPTION	MATERIAL	PLATING
5-619070-2	5-619070-1	3	FERRULE CRIMPHUELSE	SfCu	1
		2	CENTER CONTACT INNENLEITER	CuZn36Pb1.5	2
		1	OUTER SHELL ASSY AUSSEN KONTAKT	CuZn39Pb3 PE	6 7 1

DIMENSIONS:		TOLERANCES UNLESS OTHERWISE SPECIFIED:	
mm			
0 PLC	±0.2	0 PLC	±0.2
1 PLC	±0.2	1 PLC	±0.2
2 PLC	±0.2	2 PLC	±0.2
3 PLC	±	3 PLC	±
4 PLC	±	4 PLC	±
ANGLES	±2°	ANGLES	±2°
MATERIAL	-	FINISH	-

DWN	J. JAURIS	09MAY01
CHK	O. De Cloet	29OCT01
APVD	H. Wendling	29OCT01
PRODUCT SPEC	-	-
APPLICATION SPEC	114-71008	-
WEIGHT	-	-
CUSTOMER DRAWING		

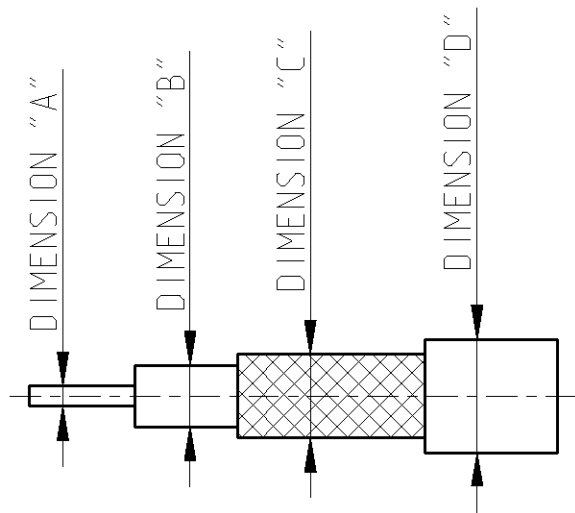
tyco Electronics		tyco Electronics AMP GmbH D - 64625 Bensheim	
NAME COAXICON, CONNECTION FOR RF, GSM AND GPS, PLUG FOR NIPPON ANTENNA CABLE			
SIZE	CAGE CODE	DRAWING NO	RESTRICTED TO
A3	00779	619070	-
SCALE 10:1		SHEET 1 OF 2	REV A6

THIS DRAWING IS UNPUBLISHED. RELEASED FOR PUBLICATION 2001
 © COPYRIGHT 2001 BY TYCO ELECTRONICS CORPORATION. ALL RIGHTS RESERVED.

LOC	DIST	REVISIONS			
P	LTR	DESCRIPTION	DATE	DWN	APVD
A1	-	SEE SHEET 1	-	-	-

CONTROL DIMENSIONS AFTER ASSEMBLY

KONTROLLMASSE NACH MONTAGE



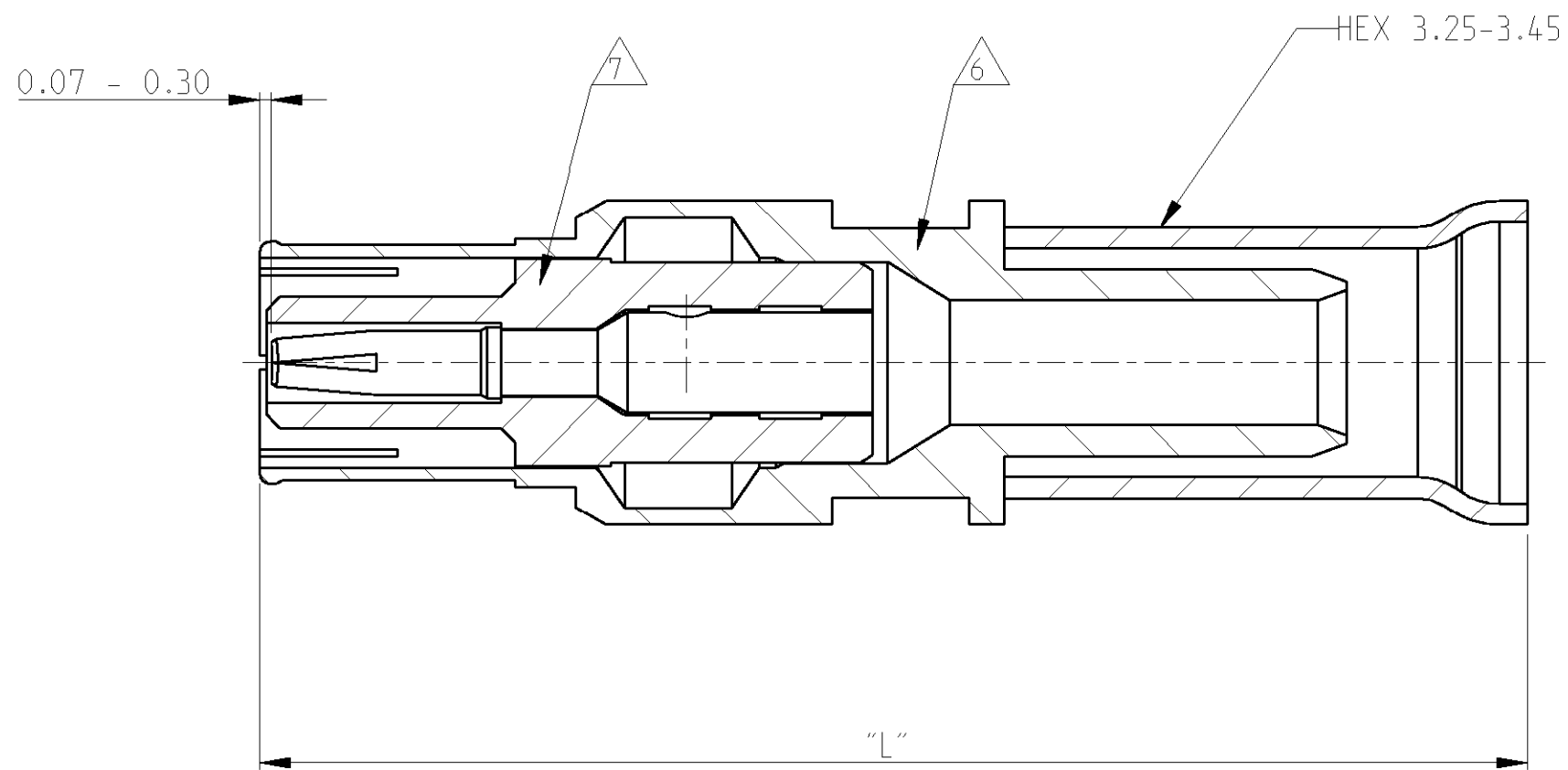
CABLE THAT SUITS TO THIS PN:

A: BRAID CABLE $\varnothing 0.54 \pm 0.05$

B: $\varnothing 1.62 \pm 0.1$

C: $\varnothing 2.2 \pm 0.1$

D: $\varnothing 3 \pm 0.15$



<small>THIS DRAWING IS A CONTROLLED DOCUMENT FOR TYCO ELECTRONICS CORPORATION IT IS SUBJECT TO CHANGE AND THE CONTROLLING ENGINEERING ORGANIZATION SHOULD BE CONTACTED FOR THE LATEST REVISION.</small>		DWN J. JAURIS 09MAY01 CHK O. De Cloet 29OCT01 APVD H. Wendling 29OCT01		tyco Electronics tyco Electronics AMP GmbH D - 64625 Bensheim	
DIMENSIONS: mm		TOLERANCES UNLESS OTHERWISE SPECIFIED: 0 PLC ± 0.2 1 PLC ± 0.2 2 PLC ± 0.2 3 PLC \pm 4 PLC \pm ANGLES $\pm 2^\circ$		NAME COAXICON, CONNECTION FOR RF, GSM AND GPS, PLUG FOR NIPPON ANTENNA CABLE	
		PRODUCT SPEC - APPLICATION SPEC 114-71008		SIZE A3 CAGE CODE 00779 DRAWING NO C=619070 RESTRICTED TO -	
MATERIAL - FINISH -		WEIGHT -		CUSTOMER DRAWING SCALE 10:1 SHEET 2 OF 2 REV A6	