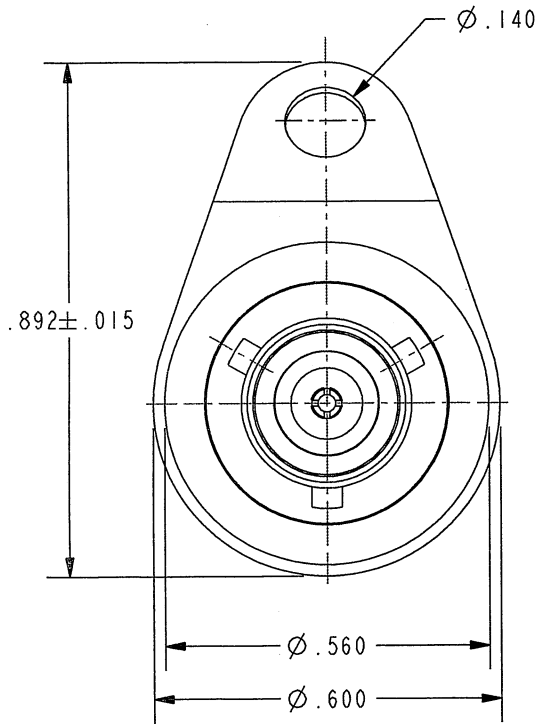
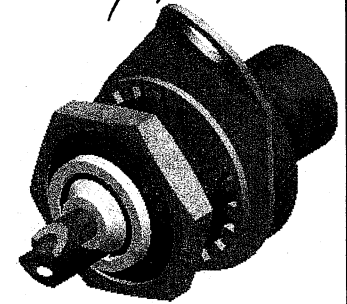
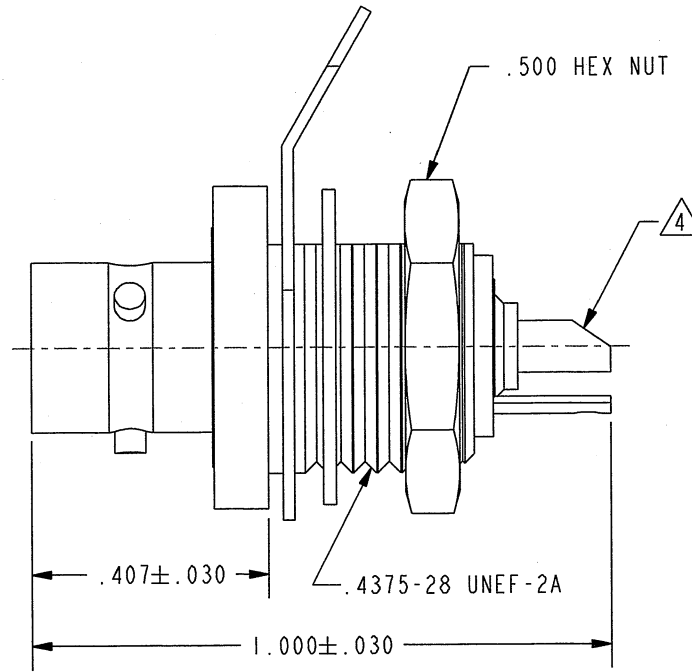


DATA CONTAINED IN THIS DOCUMENT IS PROPRIETARY TO TROMPETER ELECTRONICS INC. AND SHALL NOT BE DISCLOSED, COPIED OR USED FOR PROCUREMENT OR MANUFACTURE WITHOUT EXPRESS WRITTEN PERMISSION.

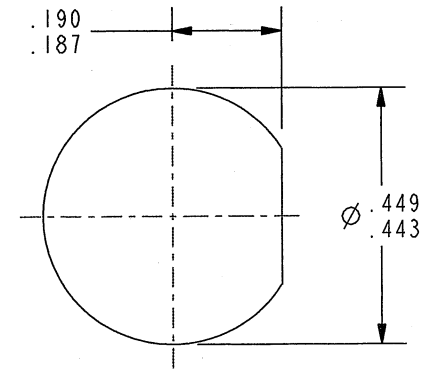
REVISIONS			
REV	DESCRIPTIONS	DATE	APPROVED
F	REVISED PER ECO # 16410	10/25/07	uuc



SCALE 3/1



SCALE 2/1



RECOMMENDED  
PANEL CUTOUT  
SCALE 3/1

**RED INDICATES ORIGINAL**

- 4 SOLDER POT ACCEPTS Ø .039 CONDUCTOR
- 3. .187 MAXIMUM PANEL THICKNESS
- 2. FINISH: TFS-1A (NICKEL)
- 1. TYPE TPS INSULATED SOLDER POT BULKHEAD JACK

NOTES: UNLESS OTHERWISE SPECIFIED.

INTERPRET DRAWING PER MIL-STD-100. DIMENSIONS ARE IN INCHES AND INCLUDE FINISH THICKNESS UNLESS OTHERWISE SPECIFIED.		TOL: UNLESS SPECIFIED. .XX ± .02 .XXX ± .010 ANGLE ± 1°			
DRN J. CARPENTER	07-03-07	MATERIAL:			
CHK CM	10/19/07	FINISH:		SIZE A	CAGE CODE 14949
MANUF				DRAWING NO. 1-0404	REV. F
APPROVED Am	10/19/07	DO NOT SCALE DWG		SCALE 3/1	DATE 6-25-74
PROJ FILE NO. 1-0404	NEXT ASSY			SHEET IC	