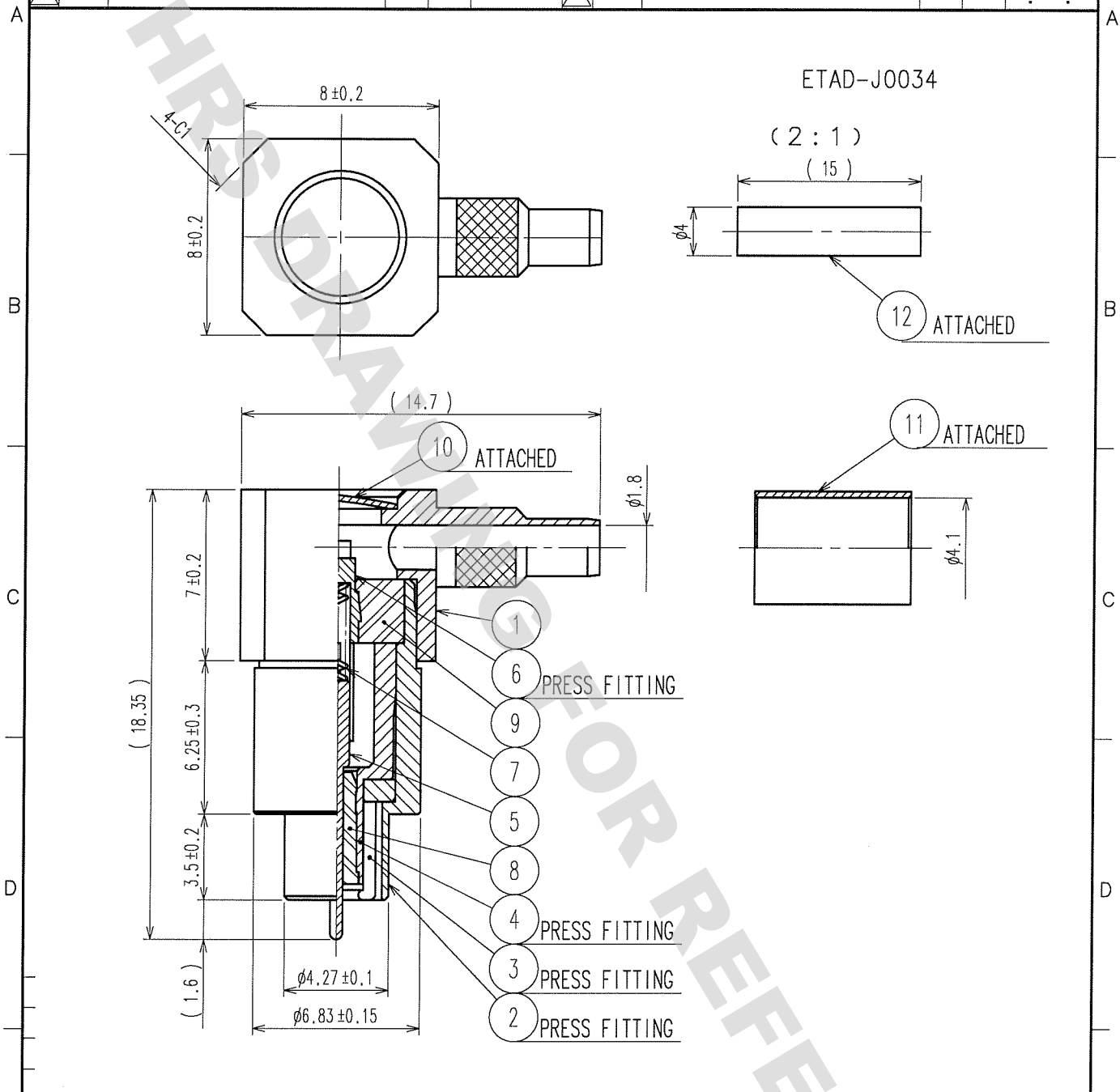


1		2			3			4		
COUNT	DESCRIPTION OF REVISIONS	BY	CHKD	DATE	COUNT	DESCRIPTION OF REVISIONS	BY	CHKD	DATE	
△				..	△				..	
△					△				..	
△					△				..	



6	BERYLLIUM COPPER	GOLD PLATING	12	POLYOLEFIN	HEAT SHRINK TUBING
5	PHOSPHOR BRONZE	GOLD PLATING	11	COPPER	NICKEL PLATING
4	PHOSPHOR BRONZE	NICKEL PLATING	10	BRONZE	NICKEL PLATING
3	BERYLLIUM COPPER	GOLD PLATING	9	PTFE	
2	PHOSPHOR BRONZE	NICKEL PLATING	8	PTFE	
1	PHOSPHOR BRONZE	NICKEL PLATING	7	STAINLESS	GOLD PLATING
NO.	MATERIAL	FINISH, REMARKS	NO.	MATERIAL	FINISH, REMARKS

CODE NO. (OLD)		DRAWN	DESIGNED	CHECKED	APPROVED	RELEASED
		<i>D. Yamakoshi</i>	<i>D. Yamakoshi</i>	<i>R. Kano</i>	<i>H. Hanuma</i>	
		06.1.11	06.1.11	06.1.11	06.1.12	
DRAWING NO. EDC4-180576			PART NO. MS-156-C(LP)-14			
SCALE 4 : 1			CODE NO. CL358-0228-0			
UNITS mm			1/1			
HRS HIROSE ELECTRIC CO., LTD.						

DRAWING FOR REFERENCE: This is subject to change without notice
08/11/2012

TO
RFD