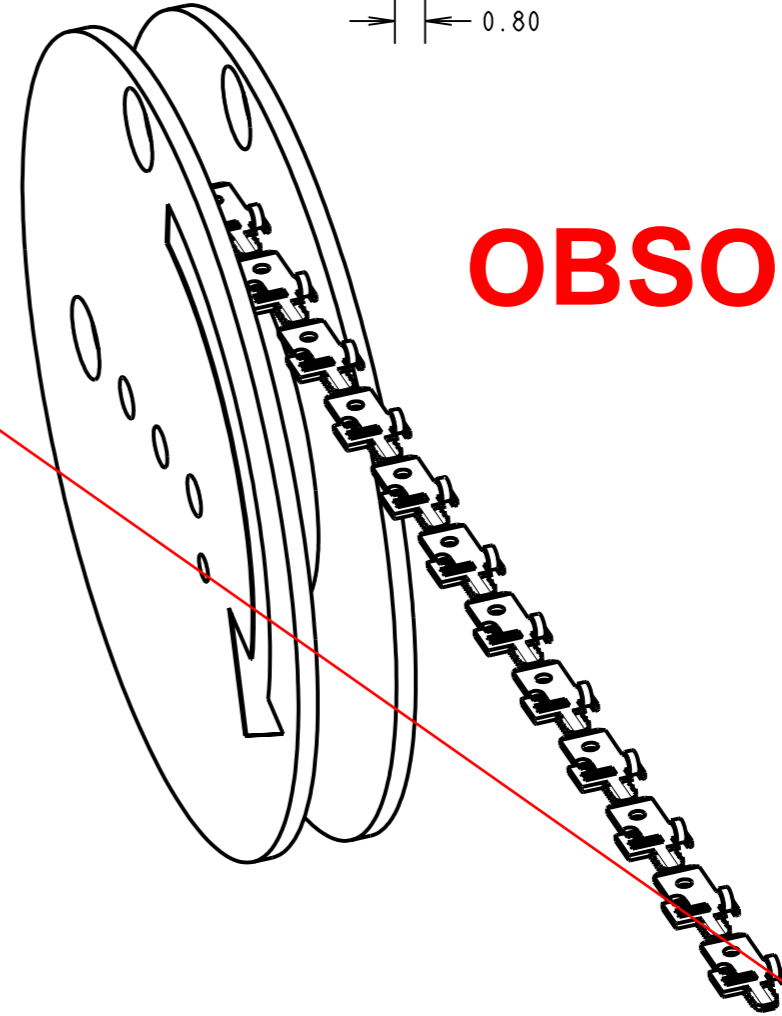
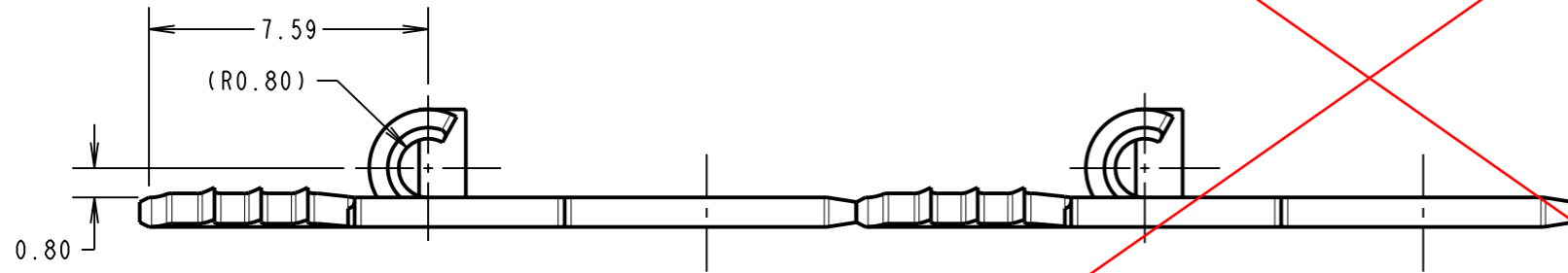
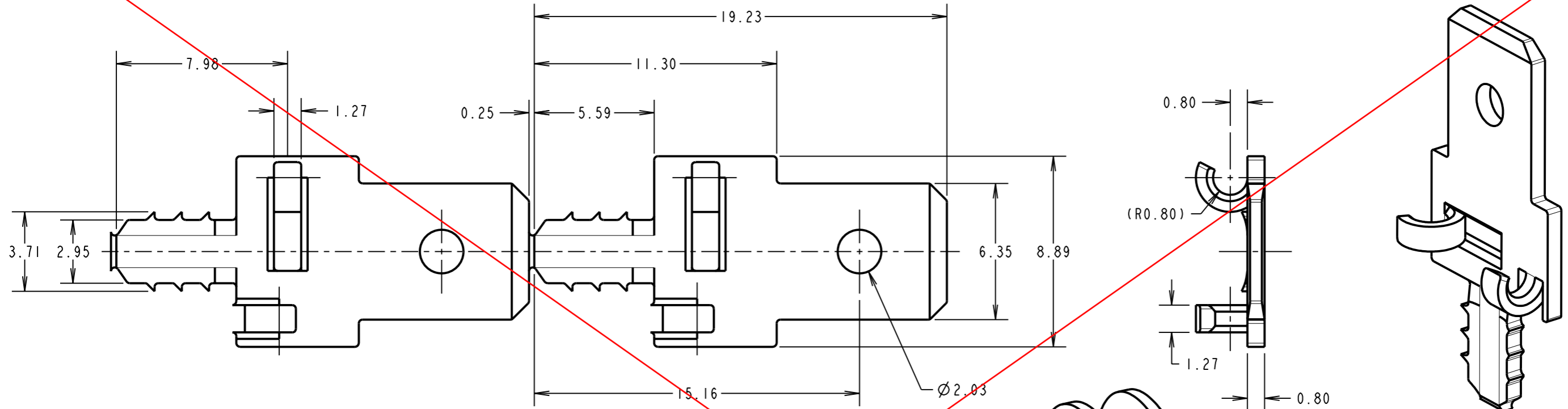


Customer Information Sheet

DRAWING No.: S441-XX SHEET 3 OF 3 IF IN DOUBT - ASK © NOT TO SCALE THIRD ANGLE PROJECTION ALL DIMENSIONS IN mm



OBSOLETE

- NOTES:
 1. QUANTITY OF COMPONENTS PER REEL = 3,000.
 2. WEIGHT OF COMPONENTS PER REEL = 2.50kg APPROX.
 3. ALL TOLERANCES TO BE ±0.13mm UNLESS OTHERWISE STATED.

ORDER CODE:
S441-XX
 FINISH _____
 06 - 4µ 90/10 TIN/LEAD
 46 - 4µ 100% TIN

SB	3	23.03.11	10770
NAME	ISS.	DATE	C/NOTE
APPROVED:		S.BENNETT	
CHECKED:		R.ADDE	
DRAWN:		W. J. BOURNE	
CUSTOMER REF.:			
ASSEMBLY DRG:			

HARWIN			THIS DRAWING AND ANY INFORMATION OR DESCRIPTIVE MATTER SET OUT HEREON ARE CONFIDENTIAL AND COPYRIGHT PROPERTY OF THE HARWIN GROUP AND MUST NOT BE DISCLOSED, LOANED, COPIED OR USED FOR MANUFACTURING, TENDERING OR FOR ANY OTHER PURPOSE WITHOUT THEIR WRITTEN PERMISSION.	TOLERANCES X. = ±1mm X.X = ±0.25mm X.XX = ±0.10mm X.XXX = ±0.01mm ANGLES = ±5° UNLESS STATED	MATERIAL: BRASS CW508L HARD TO BE EN 1652 FINISH: SEE TABLE S/AREA: mm ²	TITLE: 6.35mm BLADE TERMINAL (LEFT-HANDED) DRAWING NUMBER: S441-XX	SHT 3 OF 3
HARWIN USA TEL: 603 893 5376 FAX: 603 893 5396 mis@harwin.com	HARWIN Europe (UK) TEL: 023 9231 4545 FAX: 023 9231 4590 mis@harwin.co.uk	HARWIN Asia TEL: +65 6 779 4909 FAX: +65 6 779 3868 mis@harwin.com.sg		S441-XX			