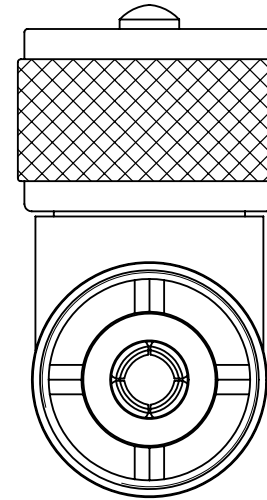
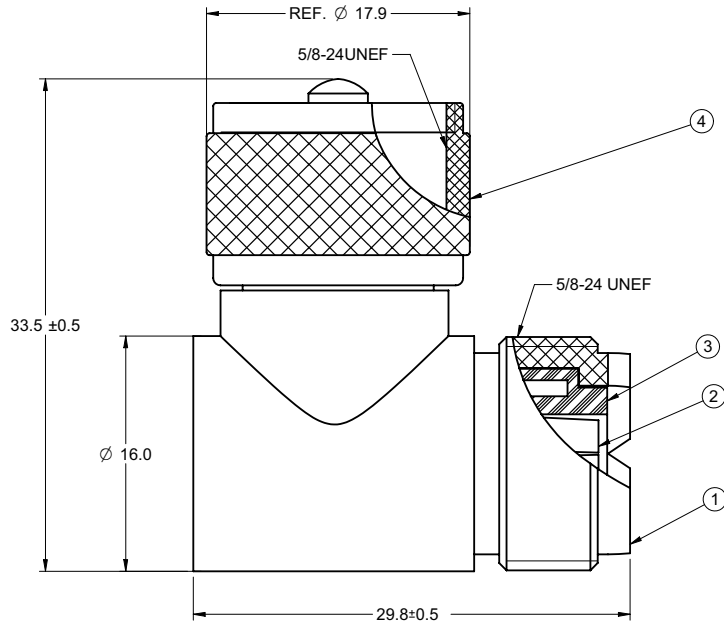


PART NUMBER	ITEM ① BODY	ITEM ② CONTACT	ITEM ③ INSULATOR	ITEM ④ NUT
25-7340	ZINC NICKEL PLATED	BERYLLIUM GOLD PLATED	DELRIN	ZINC NICKEL PLATED

受控 CONTROLLED DOCUMENT				
编号 P/N	25-7340	版本 Rev	0A	日期 Rel'd Date
				Mar 24,08

DRAWING NO. 25-7340				
REVISIONS				
RELEASE FOR QUATION				
A	01-04-07	Y	W	T
<small>Thomas Chen 2007.01.12 14:01:57 -08'W</small>				



NOTES:

- ELECTRICAL SPECIFICATIONS
 IMPEDANCE: NON-CONSTANT
 FREQUENCY RANGE: 0-500 MHz
 WORKING VOLTAGE: 500 Vrms MAX AT SEA LEVEL
 DIELECTRIC WITHSTANDING VOLTAGE: 1500 vrms AT SEA LEVEL
 INSULATION RESISTANCE: 5000 MEGOHMS MINIMUM
- MECHANICAL SPECIFICATIONS
 DURABILITY: 500 CYCLES MIN
- ENVIRONMENTAL SPECIFICATIONS
 RECOMMENDED TEMPERATURE RANGE: -55 °C TO +85 °C
 MOISTURE RESISTANCE: MIL-STD-202
- PRODUCT SHOULD BE RoHS COMPLIANCE.
- PACKAGING REQUIREMENT FOLLOWS ENGINEERING DOCUMENT P/N 836-40200001XX

THIS DRAWING TO BE INTERPRETED
PER ANSI Y 14.5M - 1994

COMPANY CONFIDENTIAL

TOLERANCE UNLESS OTHERWISE SPECIFIED		DRAWN BY BETTY.YU	DATE 01-04-07
DECIMALS	mm	CHECKED BY LINDA.WU	DATE 01-04-07
X	± 0.5	APPROVED BY THOMAS	DATE 01-04-07
X.X	± 0.2		
X.XX	± 0.1		
ANGLES	± 0.5°	U/M	mm

	
TITLE M-359 UHF R/A MALE TO FEMALE, ADAPTER	
SHEET 1 OF 2	DRAWING NO. 25-7340
SIZE C	

THIS DRAWING WAS PRODUCED BY COMPUTER,
DO NOT SCALE DRAWING OR UPDATE MANUALLY.

SHEET 1 OF 2	DRAWING NO. 25-7340	SIZE C
-----------------	------------------------	-----------