



Raychem

TE Internal #: 372196-000

Hook Up Wire, FlexLite DW, 600V Voltage Rating, Red Wire Color, 24AWG Wire Size, .2mm² Wire Size, Operating Temperature Range -65 – 125 °C

[View on TE.com >](#)

Wire & Cable > Hook Up Wire



Cable Type: **FlexLite DW**

Voltage Rating: **600 V**

Wire Color: **Red**

Insulation Material: **Radiation-Crosslinked, Polyalkene**

Conductor Material: **Tin-Plated Copper**

Features

Product Type Features

| | |
|------------------------|-------------------|
| Product Type | Wire |
| Product Classification | Wire - Commercial |
| Cable Style | Primary, Stranded |
| Cable Type | FlexLite DW |

Configuration Features

| | |
|----------------------|----|
| Number of Conductors | 1 |
| Number of Strands | 19 |

Electrical Characteristics

| | |
|------------------|-----------------------|
| Resistance (Max) | 83.3 Ω/1000 ft @ 68°F |
| Voltage Rating | 600 V |

Body Features

| | |
|---------------------|-----------------------------------|
| Weight | 3.57 kg/km |
| Wire Color | Red |
| Insulation Material | Radiation-Crosslinked, Polyalkene |
| Conductor Material | Tin-Plated Copper |

Dimensions

| | |
|---------------|------------------|
| Wire Diameter | 1.17 mm[.046 in] |
|---------------|------------------|



| | |
|--------------------------------|--------------------------------|
| Overall Outside Diameter | 1.17 mm[.046 in] |
| Overall Outside Diameter Range | 1.12 – 1.22 mm[.044 – .048 in] |
| | 24 AWG |
| Conductor Diameter | .6 mm[.024 in] |
| Cable Insulation Thickness | .127 mm[.005 in] |
| Strand Size | 36 AWG |
| Wire Size | .2 mm ² |

Usage Conditions

| | |
|-----------------------------|--------------|
| Operating Temperature Range | -65 – 125 °C |
|-----------------------------|--------------|

Product Compliance

For compliance documentation, visit the product page on [TE.com](https://www.te.com)>

| | |
|---|---|
| EU RoHS Directive 2011/65/EU | Compliant |
| EU ELV Directive 2000/53/EC | Compliant |
| China RoHS 2 Directive MIIT Order No 32, 2016 | No Restricted Materials Above Threshold |
| EU REACH Regulation (EC) No. 1907/2006 | Current ECHA Candidate List: JUN 2020 (209) Candidate List Declared Against: JUN 2020 (209) Does not contain REACH SVHC |
| Halogen Content | Low Halogen - Br, Cl, F, I < 900 ppm per homogenous material. Also BFR/CFR/PVC Free |
| Solder Process Capability | Not applicable for solder process capability |

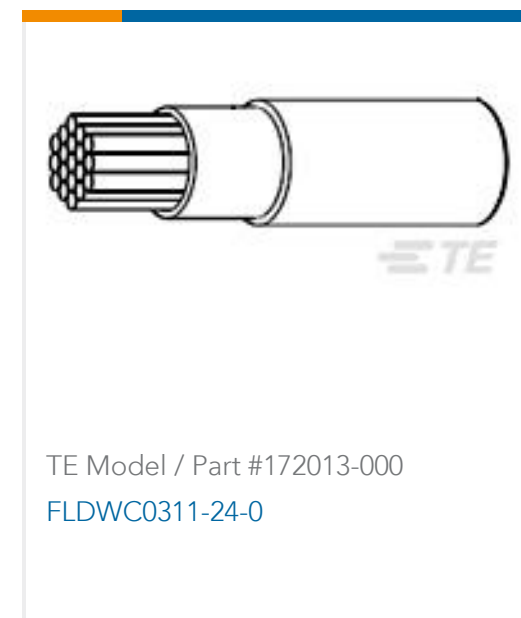
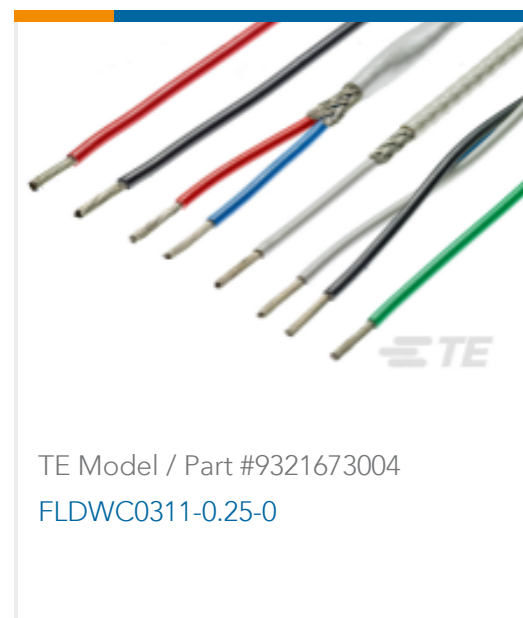
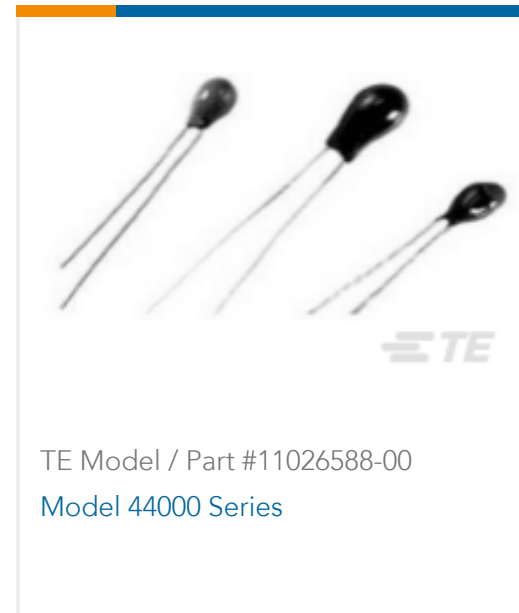
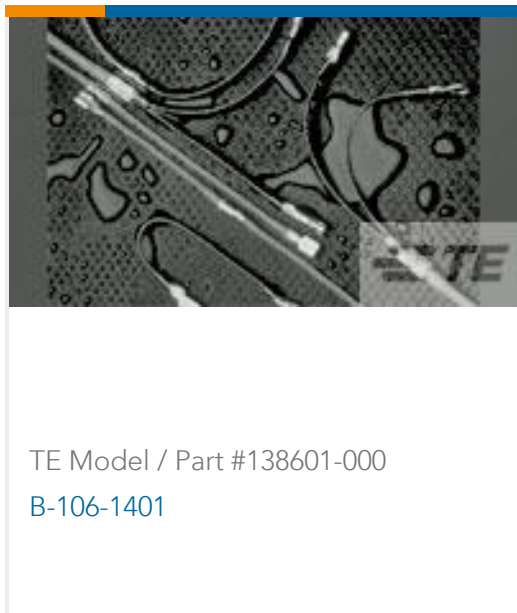
Product Compliance Disclaimer

This information is provided based on reasonable inquiry of our suppliers and represents our current actual knowledge based on the information they provided. This information is subject to change. The part numbers that TE has identified as EU RoHS compliant have a maximum concentration of 0.1% by weight in homogenous materials for lead, hexavalent chromium, mercury, PBB, PBDE, DBP, BBP, DEHP, DIBP, and 0.01% for cadmium, or qualify for an exemption to these limits as defined in the Annexes of Directive 2011/65/EU (RoHS2). Finished electrical and electronic equipment products will be CE marked as required by Directive 2011/65/EU. Components may not be CE marked. Additionally, the part numbers that TE has identified as EU ELV compliant have a maximum concentration of 0.1% by weight in homogenous materials for lead, hexavalent chromium, and mercury, and 0.01% for cadmium, or qualify for an exemption to these limits as defined in the Annexes of Directive 2000/53/EC (ELV). Regarding the REACH Regulation, the information TE provides on SVHC in articles for this part number is based on the latest European Chemicals Agency (ECHA) 'Guidance on requirements for substances in articles' posted at this URL: <https://echa.europa.eu/guidance-documents/guidance-on-reach>

Compatible Parts



Customers Also Bought



Documents

Product Drawings

[FLDWC0311-24-2](#)

English

Datasheets & Catalog Pages

[1654025_Sec9_FlexLite](#)

English

[Wire and Cable Overview](#)

English

Product Specifications

[Product Specification](#)

English